

700  
Message  
Specific  
Information

## 701 Unmetered Consumption

### Valid Codes:

The following are valid values for Meter Point Status on this message

A - Assigned

E - Energised

D - De-energised

T - Terminated.

Meter Configuration Code:

The following is the only valid code for MCC on this message:

MCC09 Un-metered.

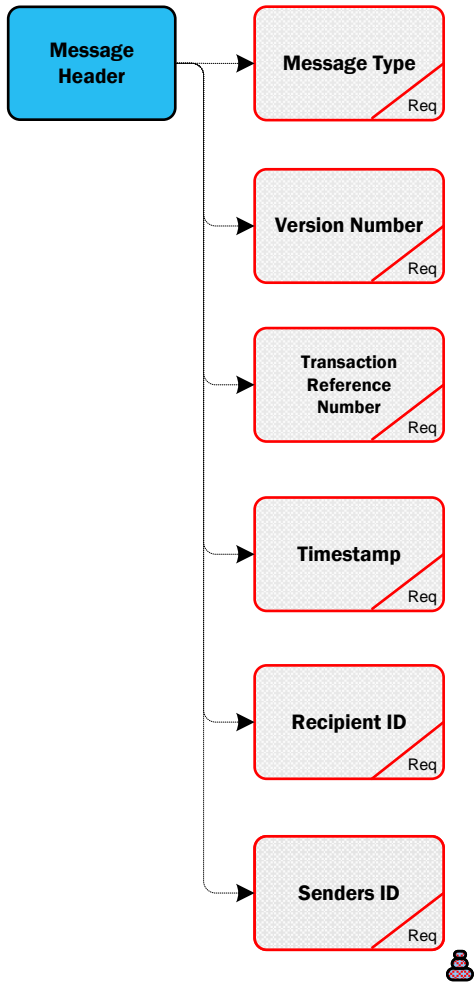
Transaction Reason Code:

The following are valid values for Transaction Reason Code on this message

SCH - Scheduled periodic billing

FIN - Final billing

REP - Replacement message following the withdrawal of a previous 701 message



### 701 MPRN Level Info

**MPRN**  
Req

**Grouped MPRN**  
Opt

**Load Profile**  
Req

**DUoS Group**  
Req

**Meter Point Status**  
Req

**Meter Configuration Code**  
Req

**Networks Reference Number**  
Req

**Transaction Reason Code**  
Req

**Calculation Date**  
Req

**Billing Start Date**  
Req

**Billing End Date**  
Req


**Consumption**  
Req



**Consumption  
Detail**

**Consecutive  
Number**  
Req


**Billing End Date**  
Req

**Unmetered Type**  
Req 

**Consumption**  
Req

**Installed Value**  
Req

**Billing Value**  
Req

**Unit of  
Measurement**  
Req 

**Repetition Factor**  
Req

**Billing Start Date**  
Req

**Senders  
ID**

**Click Here for Latest  
Senders ID  
List**

# 701 Unmetered Consumption

Code

Load Profile

01 - Urban Domestic Unrestricted

10 - Unmetered - Flat

02 - Urban Domestic Day/Night

11 - Public Lighting Dusk/Dawn

03 - Rural Domestic Unrestricted

12 - Public Lighting Dusk/Midnight

04 - Rural Domestic Day/Night

05 - Non Domestic Unrestricted

06 - Non Domestic Day/Night

07 - MD with LF up to (but not including) 30%

08 - MD with LF greater than or equal to 30% but less than 50%

09 - MD with LF greater than or equal to 50%

Message

MPRN Level Information

**RMDS** RETAIL MARKET DESIGN SERVICE

Load Profile

# 701 Unmetered Consumption

Code

DuoS Group

AGU	DG1	Urban Domestic	DG7	MV MD
AMM	DG10	Yes	DG7A	MV MD Autoproducer
CAN	DG2	Rural Domestic	DG7B	MV MD Importing Autoproducer or CHP Producer
CIP	DG3	Public Lighting	DG8	38 kV Looped MD
COL	DG4	Unmetered Supplies	DG8A	38 kV Looped MD Autoproducer
COS	DG5	LV Non-Domestic Non-MD	DG8B	38 kV Looped MD Importing Autoproducer or CHP Producer
CUG	DG5A	LV Non-Domestic Non-MD Autoproducer	DG9	38 kV Tailed MD
DIJ	DG5B	LV Non-Domestic Non-MD Importing Autoproducer or CHP Producer	DG9A	38 kV Tailed MD Autoproducer
DSO	DG6	LV MD	DG9B	38 kV Tailed MD Importing Autoproducer or CHP Producer
IA	DG6A	LV MD Autoproducer	DG10	110kV Distribution
ICD	DG6B	LV MD Importing Autoproducer or CHP Producer	TCON	Transmission Connected

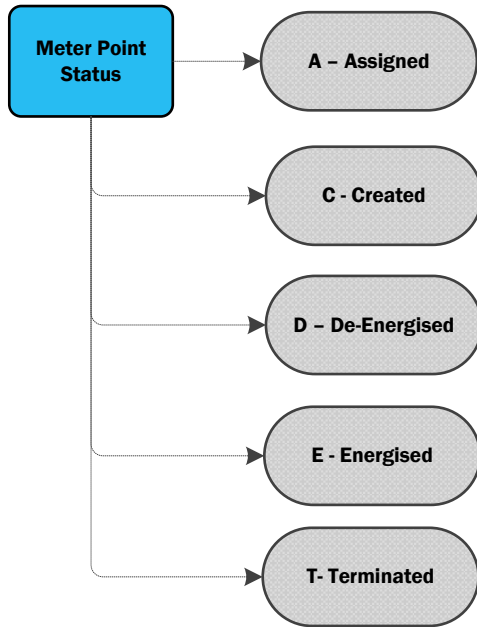
Message

MPRN Level Information

**RMDS** RETAIL MARKET DESIGN SERVICE

DuoS Group





# 701 Unmetered Consumption

Code

Meter Configuration Code

MCC01 - 24 Hour

MCC10 - QH2CH\_IP

MCC61 - 2x24h

MCC73 - 4x24H+NSH

MCC02 - P/N

MCC11 - QH4CH\_IPXP

MCC62 - 2x24h+NSH

MCC74 - 5x24H

MCC03 - 24h+NSH

MCC50 - NONSTN

MCC63 - 2x24h+D

MCC75 - 24H+2xNSH

MCC04 - D/N+W

MCC51 - D/N+NSH

MCC64 - 2x24h+W

MCC76 - 4x24H+W

MCC05 - MDNm/PK

MCC53 - 2 X D/N

MCC65 - 3x24hr

MCC77 - 2x24H+W+NSH

MCC06 - MDNm+Pk

MCC57 - 24h+D

MCC67 - 3x24h+Day

MCC78 - 3x24H+W+NSH

MCC07 - 24H+NSH+W

MCC58 - 24h+D/N

MCC70 - 3x24H+NSH

MCC79 - 5x24H+NSH

MCC08 - 24h+W

MCC59 - 24h+D/N+W

MCC71 - 4x24H

MCC09 - Unmetered

MCC60 - 24h+D/N+NS

MCC72 - 3x24H+W

Message

MPRN Level Information

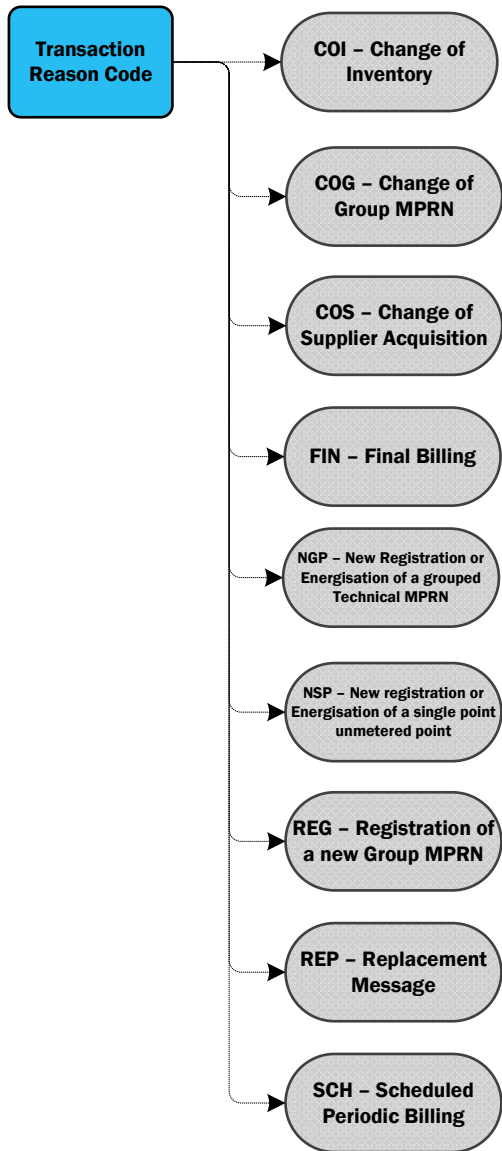
RMDS

RETAIL MARKET DESIGN SERVICE

Meter Configuration Code

# 701 Unmetered Consumption

Code



Message

MPRN Level Information

Transaction Reason Code

# 701 Unmetered Consumption

Code

Unmetered Type

2D	Fluorescent ('U' Shaped)	MBTF	Mercury Tungsten Fluorescent	SPU	Single Point Unmetered
BARR	Barriers	MCF	Fluorescent (F)	SXHF	Sodium LP with High Frequency Gear
BEAC	Beacons	MH	Metal Halide	TAXI	Taxi Rank Signs
BOLF	Bollards (F)	MHF	Metal Halide (F)	TEL	Emergency Motorway Telephone
BOLL	Bollards (L)	MHL	Metal Halide (L)	THAL	Millennium Floodlighting - Liffey Bridges (1)
BUS1	Bus Shelters (1)	MHNT	Metal Halide Double Ended	TI	Decorative Lamp
BUS2	Bus Shelters (2)	NAV	Navigation Lights	TLDF	Millennium Floodlighting - Liffey Bridges (2)
BUS3	Bus Shelters (3)	NEON	Airport Road Lights (Cork)	TRC	Traffic Counters
CCTV	Close Circuit TV	OMN	Miscellaneous Decorative Lights	TUN	Tungsten
CDMT	Metal Halide	PARK	Parking meters	VEH	Traffic Lights (Standard Configuration)
CDOT	Public Light	PBUS	Push Button Units (Associated with Traffic Lights)	VEH2	Traffic Lights (Non Requestable Legacy Configuration 2)
CFL	Compact Fluorescent	PED	Pedestrian Lights (Standard Configuration)	VEH3	Traffic Lights (Non Requestable Legacy Configuration 3)
CPOT	Cosmopolis Lamp	PED2	Pedestrian Lights (Non Requestable Legacy Configuration 2)	VMS	Associated with traffic/pedestrian lights
FLR	Fluorescent (R)	PED3	Pedestrian Lights (Non Requestable Legacy Configuration 3)	WAR	Miscellaneous Street Furniture (Clare)
FLU	Fluorescent (U)	PLLH	Compact Florescent	XFLR	Fluorescent (R)
FPOS	Finger Posts	SCH	School Flashing Lights	XFLU	Fluorescent (U)
HAL	Halogen (1)	SHRN	Shrines	XMBF	Mercury
HALO	Halogen (2)	SIGN	Lee Tunnel signs	XMBT	Mercury Tungsten Fluorescent
HEAT	Miscellaneous Street Furniture (Galway)	SL	Sodium Lamp	XMCF	Fluorescent (F)
HPIT	Millennium Bridge Project in Dublin	SLI	Sodium LP with Linear Lamp	XSL	Sodium Lamp
IND	Induction Lamp	SON	Sodium HP with Standard Gear	XSLI	Sodium LP with Linear Lamp
KISK	Telephone Kiosks	SONE	Electronic Gear	XSON	Sodium HP with Standard Gear
LED	Light Emitting Diode	SOX	Sodium LP with Standard Gear	XSOX	Sodium LP with Standard Gear
MBF	Mercury	SOXE	Sodium LP with Hybrid Gear	XTI	Decorative Lamp
MBT	Mercury Tungsten	SPCA	Speed Cameras	XTUN	Tungsten

Message

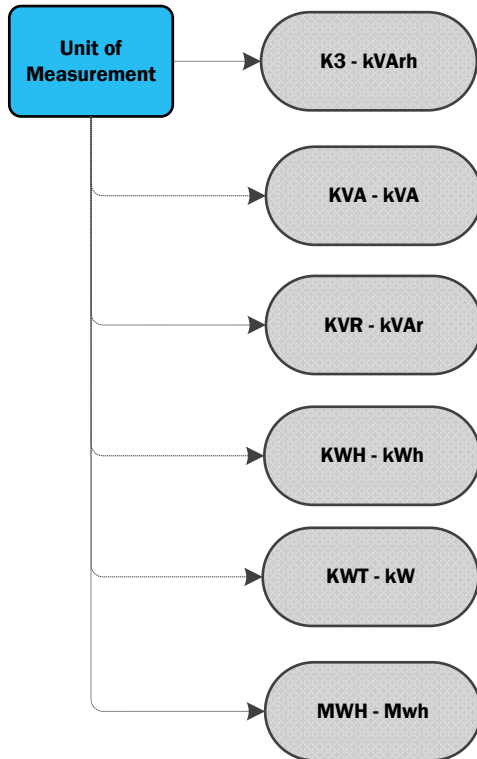
Consumption Detail

**RMDS** RETAIL MARKET DESIGN SERVICE

Unmetered Type

# 701 Unmetered Consumption

Code



Message

Consumption Detail

**RMDS** RETAIL MARKET DESIGN SERVICE

Unit of Measurement

# 701 Unmetered Consumption

Version Which Implemented	Source of Change	Description of Change
10.4	MCR 1155	Message format changed from ARIS to Document format.