
Retail Market Message Guide

Customer and Data Agreements

<i>Document Information</i>	
Business Area:	ESB Networks
Status:	Final
Author/s:	ESBN
Version Number:	6.0
Reason for Change	Market Schema Guide 6.0

Market Message Guide – Customer and Data Agreements

Document Updates				
	Name	Date	Reason	Version
	H&SP Project	22/02/2012	Initial Draft	2.3
	MMR 10.2	21/11/2013	Updated following approval at IGG of MCR1129 & MCR 1134	2.4
	Co-MMR 10.4	11/02/2015	Re-versioned as part of Co-MMR 10.4	2.5
Co	Co-MMR 10.6	04/12/2015	Non-Conformance identified by Smart Metering – The two following diagrams are deleted: Appendix 3.1 A – Customer details change request validation sequence diagram & Appendix 3.2 1B – Change of legal entity validation sequence diagram.	2.6
	Co-MMR 10.7	02/06/2016	Re-versioned as part of Co-MMR 10.7	2.7
	Schema Release V11.0	05/08/2016	Re-versioned as part of Schema Release 11.0	3.0
Co-MM	Co-MMR 11.1	02/10/2017	Re-versioned as part of Co-MMR 11.1	3.1
	Schema Release V12.0	23/04/2019	Re-versioned as part of Schema Release 12.0 MCR0175: Add new Reject Reasons for Address Change Rejection to MM014R	4.0

Market Message Guide – Customer and Data Agreements

			<p>MCR1140 Introduction of Eircode's into the Retail Market in Ireland</p> <p>MCR1173: Vulnerable Customer Implementation in Rol of SI 463</p>	
Co-MMR 12.1	Co-MMR 12.1	19/08/2020	Re-versioned as part of Co-MMR 12.1	4.1
V	Schema Release V13.0	16/02/2021	<p>Re-versioned as part of Schema Release V13.0 (Smart)</p> <p>MCR0176 E-Mail Address Validation</p> <p>MCR1158 Smart Metering Customer Data Changes</p>	5.0
Co-MMR 12.1	MMR 13.2	15/12/2021	<p>Text 'NI Specific validations are not included in this guide' deleted</p> <p>016MM - Remove 'Additional codes needed to cater for NI.' Updated text 'Validation ensures only codes relevant to ROI are provided and invalid codes are rejected'</p> <p>Page 55 & 91 DIJ - 'Valid until market schema is changed ' added</p>	5.1
	V14.0	08/11/2024	Re-versioned post detailed design as part of Schema Release V14.00.00 to include MCR1216	6.0

Market Message Guide – Customer and Data Agreements

Table of Contents

1 INTRODUCTION..... 7

1.1 PURPOSE OF THE MESSAGE IMPLEMENTATION GUIDE 7

MESSAGE GROUPS 8

1.2 TECHNICAL OVERVIEW..... 9

1.3 MESSAGE VERSION..... 9

1.4 SCOPE..... 9

1.5 VALIDATION..... 10

1.6 NOTES..... 11

1.7 MARKET MESSAGE INTRODUCTION..... 11

2 MARKET MESSAGES14

2.1 013 CUSTOMER DETAILS CHANGE..... 14

Purpose / Description of message/Validation..... 14

Data hierarchy diagram 15

Message Structure/Message Validation..... 16

2.2 114 CHANGE OF CUSTOMER DETAILS CONFIRMATION 38

Purpose / Description of message..... 38

Data hierarchy diagram 40

Message Structure 41

2.3 014R CUSTOMER DETAILS CHANGE REJECTION..... 48

Purpose / Description of message..... 48

Market Message Guide – Customer and Data Agreements

	<i>Data Hierarchy Diagram</i>	50
2.4	016 CHANGE OF LEGAL ENTITY	57
	<i>Purpose / Description of message/Validation</i>	57
	<i>Data Hierarchy Diagram</i>	59
	<i>Message Structure/Validation</i>	60
2.5	116 CHANGE OF LEGAL ENTITY CONFIRMATION	83
	<i>Purpose / Description of Message</i>	83
	<i>Data Hierarchy Diagram</i>	85
	<i>Message Structure</i>	86
2.6	116R CHANGE OF LEGAL ENTITY REJECTION.....	88
	<i>Purpose / Description of Message</i>	88
	<i>Data Hierarchy Diagram</i>	90
2.7	116N CHANGE OF LEGAL ENTITY NOTIFICATION TO A SUPPLIER WITH A PENDING REGISTRATION.....	94
	<i>Purpose / Description of Message</i>	94
	<i>Data Hierarchy Diagram</i>	95
	<i>Message Structure</i>	96
2.8	116A CHANGE OF LEGAL ENTITY TSO CONFIRMATION –QH SITES.....	98
	<i>Purpose / Description of Message</i>	98
	<i>Data Hierarchy Diagram</i>	99
	<i>Message Structure</i>	100
3	APPENDIX	106
3.1	PROCESS FOR REJECTION OF 013/016 WHERE MCC CHANGES/CONTRACT CHANGES HAVE BEEN UPDATED IN PAST TWO DAYS	106

Market Message Guide – Customer and Data Agreements

1 INTRODUCTION

1.1 Purpose of the Message Implementation Guide

This document is a Message Implementation Guide to assist Suppliers in:

- The construction of market messages to be sent to DSO and MRSO; and
- The interpretation of messages received from DSO and MRSO.

The Message Implementation Guides are organized into separate **Message Groups** documents based around key business processes. These are:

- Registration, including Change of Supplier
- Customer Data and Agreements
- Data Processing
- Data Aggregation
- DUoS and Transaction Payments
- Meter Works
- SSA
- Unmetered
- Market Gateway Activity

In addition there is a Common Data Segments Guide which defines the content and structure of a number of frequently used data segments.

This document is the **Customer Data and Agreements** Implementation Guide.

Market Message Guide – Customer and Data Agreements

Message Groups

Each Message Group section contains:

- An introduction outlining the scope and business context for the message group
- A Message Usage Summary with a description of when each message is used
- A list of Related Business Documents that govern the process
- A message directory with a section for each separate message which includes:
 - A description of each message and when it should be used
 - An overview diagram of the structure of the message.
 - For messages sent by Suppliers:
 - A table containing composition instructions on how to populate each segment and field
 - A table describing how the message will be validated
 - A description of the responses that can be expected
 - For messages sent by ESB Networks:
 - A table containing a description of how each segment and field will be populated.

The same type of data is often provided in several messages and, irrespective of the message type, this data is subject to common rules for population. An example is the Meter Point Address.

A separate document exists to describe the population rules for these types of data, providing:

Market Message Guide – Customer and Data Agreements

- An overview of the structure of the segment
- Instructions relating to how to populate each segment and field.

This document is the Common Data Segments Implementation Guide.

1.2 Technical Overview

Messages are exchanged in XML format between the Market Gateway operated by ESB and the Market Participant Communication Component (MPCC) software.

1.3 Message Version

This Message Guide refers to and is consistent with the Discussion Request (DR 176) which is based on Market Design version 8 and the 131 market message from MCR0171.

1.4 Scope

The scope of this document covers all Customer Service data messages sent between Suppliers and ESB Networks. These messages allow Registered Suppliers and ESB Networks to share and validate data relating to Electricity Customers.

The message numbers included as in scope are as follows:

- 013 Customer Details Change
- 114 Change of Customer Details Confirmation
- 014R Customer Details Change Rejection
- 016 Change of Legal Entity
- 116 Change of Legal Entity Confirmation
- 116R Change of Legal Entity Rejection
- 116N Change of Legal Entity notification to Supplier with a pending registration
- 116A Change of Legal Entity TSO confirmation – Interval sites

Market Message Guide – Customer and Data Agreements

1.5 Validation

The document provides notes on how ESB Networks will validate the messages received. The purpose of these notes is to aid the Supplier in the population of each message and is intended to avoid instances where messages are rejected due to the incorrect population of a message field. The validation described is therefore limited to field specific validations.

Syntax validation is excluded from the validation notes. This is performed by using standard XML Schema validation against the XML schema provided that defines the data structures of all market messages in scope. Syntax validation includes:

- Checks that the structure of the message is correct
- Checks that all mandatory fields are provided. Mandatory fields are, however, indicated in the instructions for populations.
- Checks that any data code is selected from the list of data codes issued by ESB Networks.

In cases where the segment on a message fails on any of these reasons, a negative acknowledgement is sent back as a market message to the message sender containing the following information:

- The Transaction Reference Number supplied on the inbound message
- A copy of the message contents as received by ESB Networks
- A description of the error.

General market process validations that are not specific to individual market message fields are excluded from this guide but can be found in the appropriate ROI Specific Market Procedure Documents (MPD) referenced in each section.

If there is any inconsistency between an MPD and the Message Implementation Guide then the MPD will take precedence.

Market Message Guide – Customer and Data Agreements

1.6 Notes

This document refers to segment and field levels which should be interpreted as follows:

- The level number indicated against the segment refers to the level of the data items and segments within that segment. Therefore, for example, in message 010 where 'MPRN Level Information -Level 2' is stated it is the data items and segments that comprise 'MPRN Level Information' that are level 2 items (e.g. MPRN field, Market Participant Business Reference field, Meter Point Address segment). Accordingly, within this document, MPRN Level Information segment is shown as a Level 1 segment.
- Message Header is a Level 1 segment is a child of Header Level Information.

1.7 Market Message introduction

The grouping of messages in this guide relate to the communication of changes to customer details between Registered Suppliers and ESB Networks. These can be subdivided into two main types of change:

- The communication and updating of changes to customer details – messages 013, 114 and 014R
- The communication and updating of changes relating to a Change of legal entity at a metered location – messages 016,116, 116R,,116N and 116A

The following table provides a trigger list for each message described in this document, detailing when it is used.

Message	Title	Sender	Recipient	Trigger	Predecessor	MPD Ref.
013	Customer Details Change	Supplier	Networks	Supplier receives notification from a customer of a change to their details	none	MPD24
114	Change of Customer	Networks	Supplier / TSO	DSO makes changes to customer details. Changes can be notified to Suppliers without receiving an incoming 013 / 016. E.g. Meter Point Address, CTF and Duos group changes	013 / 016 or none (See Triggers)	MPD24 and 25

Market Message Guide – Customer and Data Agreements

Message	Title	Sender	Recipient	Trigger	Predecessor	MPD Ref.
	Details Confirmation			can be advised without a 013 or 016 predecessor.		
014R	Customer Details Change Rejection	Networks	Supplier	DSO receives invalid changes to customer details	013 or 016 for invalid changes to Customer usage type, Smart Non Participation Details, Smart Data Services	MPD24 and 25
016	Change of Legal Entity	Supplier	Networks	The Customer notifies the Supplier of a Change of Legal Entity at a Meter Point.	none	MPD25
116	Change of Legal Entity Confirmation	Networks	Supplier	Networks receive a request for a Change of Legal Entity from the Supplier.	016	MPD25
116R	Change of Legal Entity Rejection	Networks	Supplier	Networks receive a request for a Change of Legal Entity from the Supplier.	016	MPD25
116N	Change of Legal Entity notification to Supplier with a pending registration	Networks	New Supplier	Networks receive a request for a Change of Legal Entity on a Meter Point with a Pending Registration.	016	MPD25

Market Message Guide – Customer and Data Agreements

Message	Title	Sender	Recipient	Trigger	Predecessor	MPD Ref.
116A	Change of Legal Entity TSO confirmation – Interval Sites	Networks	TSO	Networks receive a request for a Change of Legal Entity from the Supplier.	016	MPD25

2 MARKET MESSAGES

2.1 013 Customer Details Change

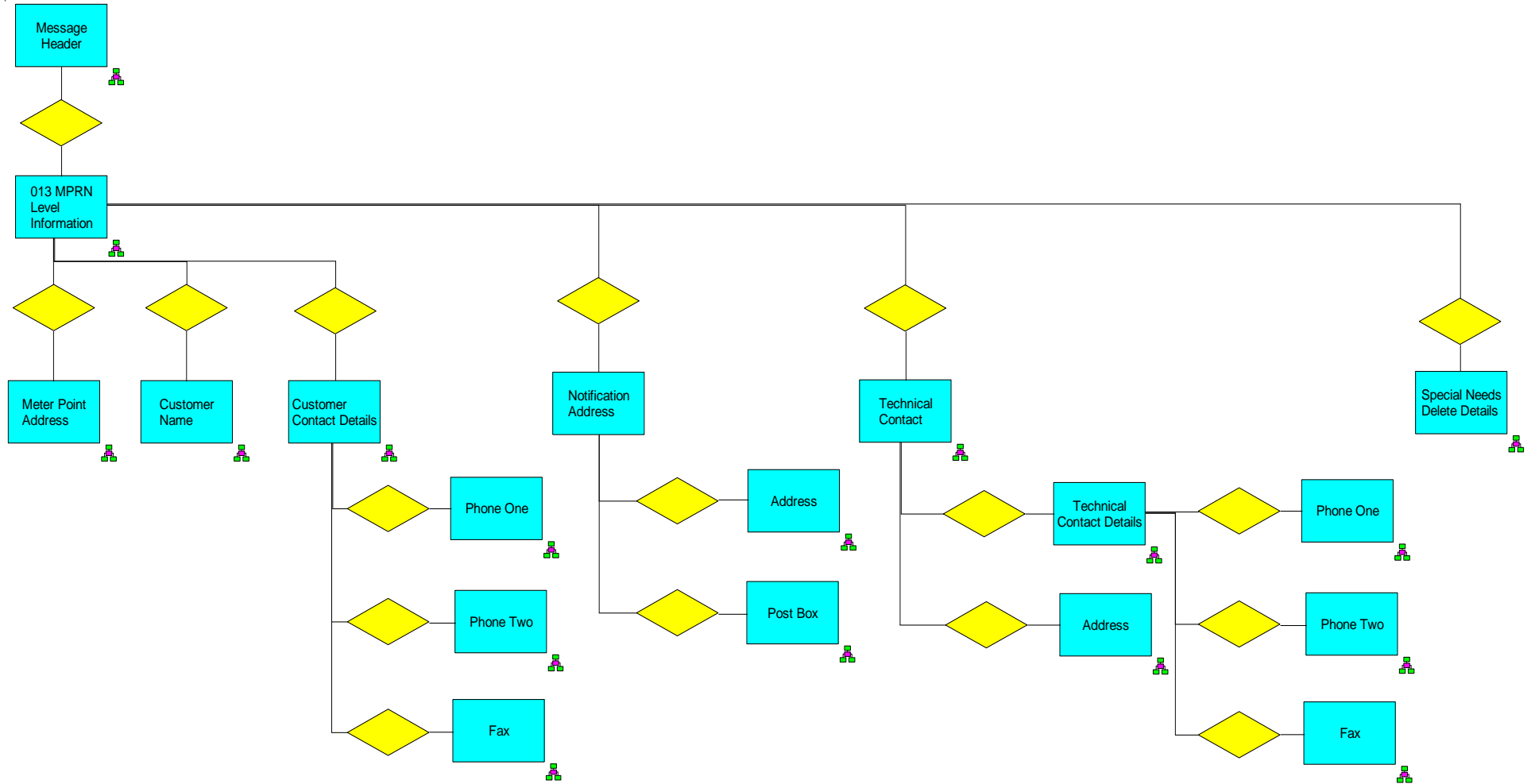
Purpose / Description of message/Validation

The 013 customer details change message is sent by Market registered Suppliers to the ESB Networks business to notify them of changes to customer details. The following changes can be notified on this message:

- Requests for changes to Meter point address
- Changes to Customer name
- Changes to Customer contact details
- Creation of or changes to Notification address (Including Creation / Deletion of PO Box address)
- Creation of or changes to Technical contact details and Technical contact address details
- Creation of, Changes to or deletion of Medical Equipment Special Needs Details (Priority Services Register - PSR)
- Creation of, Changes to or deletion of Customer Service Special Needs Details (Special Services Register - SSR)
- Creation of, Changes to or deletion of Access Instructions
- Requests for changes to Customer usage type
- Notification of changes to Economic Activity Indicator
- Creation of, Changes to or deletion of Smart Non Participation Details
- Changes to Smart Data Services Details

Market Message Guide – Customer and Data Agreements

Data hierarchy diagram



Market Message Guide – Customer and Data Agreements

Message Structure/Message Validation

This section describes the structure of the 013 message. The purpose of the message segments and data items is explained and any rules for composition outlined.

On receipt of this message DSO carry out the following message level validations for the 013:

- That the message type code is valid
- That the version of the message is currently supported
- That the recipient ID matches the ID held by the receiving system
- That all Segments and fields defined as Mandatory are present
- That the Supplier is registered to the MPRN.
- That the Meter Point Status is Energised
- That the requested Smart Data services are valid
- That the requested Smart Non participation change is valid
- That the email address provided is valid
- See Appendix (Section 3.1) for process for rejection of 013 where MCC Changes/Contract Changes have been updated in the past two days

Market Message Guide – Customer and Data Agreements

DSO will undertake the following validation of the message at segment and field level.

Segment and Field Level Identifier – 013 Message				Rpt	Optionality	Description / Purpose and composition instructions	Validation
1 Message Header				1	Mandatory	<i>Refer to common data segments document</i>	See common data segments document.
1 Meter Point Details				1	Mandatory		
2		FLD	MPRN	1	Mandatory	The unique identifying reference number for the Meter Point. All elements of MPRN must be provided.	The MPRN must be valid and be registered to the Supplier ID provided on the message (See Supplier ID).
2		SEG	Meter Point Address	1	See instructions	The address at which the Meter Point is connected. Suppliers must populate this segment where they wish to advise Networks of changes to Meter Point Address. Changes to this segment are notified by Suppliers by setting the Change Meter Point Address flag to 1 (true) (See below).	All changes to Meter Point Address are out sorted for manual checks to be made by Networks Customer Service Personnel. If segment not provided and 'Change Meter Point Address' is true, message will fail validation.
	3	FLD	Unit No.	1	Optional	This field can be used to populate information relating to the unit, flat or apartment number that can be part of an address	No individual validation of this field.
	3	FLD	Addr Line 1	1	Optional	This field can be used as overflow for address details that apply before the street part of an address.	No individual validation of this field.
	3	FLD	Addr Line 2	1	Optional	This field can be used as overflow for address details that apply before the street part of an address.	No individual validation of this field.

Market Message Guide – Customer and Data Agreements

Segment and Field Level Identifier – 013 Message				Rpt	Optionality	Description / Purpose and composition instructions	Validation
3	FLD	House No.	1	Optional	This can be used to populate the number of a premises given as part of an address	No individual validation of this field.	
3	FLD	Street	1	See instructions	This field stores information relating to the street part of an address. This field must be populated if Suppliers are requesting changes to Meter Point Address.	Field must be populated where segment provided or message fails validation.	
3	FLD	Addr Line 4	1	Optional	This field can be used as overflow for address details that apply after the street part of an address.	No individual validation of this field.	
3	FLD	Addr Line 5	1	Optional	This field can be used as overflow for address details that apply after the street part of an address.	No individual validation of this field.	
3	FLD	Postal Code	1	Optional	<p>This is the Postal Code given as part of an address where appropriate. Ireland has implemented a Postal Code system called Eircode and where available it is recommended that these Postal Codes for Technical Contact Details are communicated in Market Messages.</p> <p>They should conform to the Eircode structure A65F4E2 (there is one allowable exception for the first three characters viz.D6W) where each Eircode is comprised of seven uppercase alpha/numeric characters.</p>	<p>No individual validation of this field in the schema.</p> <p>If populated this field should conform to the Eircode structure A65F4E2 (there is one allowable exception for the first three characters viz.D6W) where each Eircode is comprised of seven uppercase alpha/numeric characters. Invalid Postal Codes will be subject to rejection with Reject Reason code AD9</p>	

Market Message Guide – Customer and Data Agreements

Segment and Field Level Identifier – 013 Message				Rpt	Optionality	Description / Purpose and composition instructions	Validation
3	FLD	City		1	Optional	Used to populate the details of which City an address resides in where appropriate	No individual validation of this field.
3	FLD	County - Ireland		1	See instructions	This denotes the county in which an address is situated. See the list of data codes for permissible values here. This field must be populated if Suppliers are requesting changes to Meter Point Address.	This must be a valid code value as defined in the Data codes list for Irish Counties.
3	FLD	Country		1	See instructions	This denotes the country in which an address is situated. See the list of data codes for permissible values here. This field must be populated and set to IE or GB if Suppliers are populating the Meter Point Address segment.	This must be a valid code value of IE or GB for Meter Point Addresses otherwise message will fail validation.
2	SEG	Customer Name		1	See instructions	The customer with whom the Supplier has concluded an agreement to supply electricity. This segment is mandatory where changes to customer name are being notified. Either the name of an organisation or the name of an individual should be provided (i.e. either Name_Org1 or First Name and Last Name) but not both.	If an invalid combination of fields received message will fail validation: possible combinations 1-title, last name , first name 2- name_org1, name_org2, Reg Comp Num, T/A e.g. if title and name-org1 received message will fail validation.
3	FLD	Title		1	Optional	This relates to the title of a person that comes before a name for addressing purposes. See the valid list of codes for Title.	This field will be ignored if it does not match one of the valid codes for title.
3	FLD	Last Name		1	Optional	This is the last or family name.	No individual validation of this field
3	FLD	First Name		1		This is the first given name of a person	No individual validation of this field

Market Message Guide – Customer and Data Agreements

		Segment and Field Level Identifier – 013 Message		Rpt	Optionality	Description / Purpose and composition instructions	Validation
	3	FLD	Name_Org1	1	See instructions	This is the name of a company or organisation. This field is mandatory if the customer is an organisation.	This field is mandatory if the customer is an organisation.
	3	FLD	Name_Org2	1	Optional	This field can be used as overflow for the name of a company or organisation	No individual validation of this field.
	3	FLD	Registered Company No.	1	Optional	Registered Company Number is the number of a business as allocated by the Company Registration Office.	No individual validation of this field.
	3	FLD	Trading As	1	Optional	This field can be used to populate information on companies / organisations that trade under a different name to their registered company name	No individual validation of this field.
2		SEG	Customer Contact Details	1	See instructions	A set of details enabling the customer to be contacted. This segment is mandatory where changes are being made to customer contact details	No individual validation at Segment level.
	3	FLD	Phone number 1	1	See instructions	This is the principal phone number of a customer and must be populated if known by Supplier	No individual validation of this field.
	3	FLD	Phone Ext1	1	Optional	This is the principal phone number overflow field for storing number extensions where applicable	No individual validation of this field.
	3	FLD	Phone number 2	1	Optional	This field can be used for the secondary phone number where this is required.	No individual validation of this field.
	3	FLD	Phone Ext2	1	Optional	This is the secondary phone number overflow field for storing number extensions where applicable.	No individual validation of this field.

Market Message Guide – Customer and Data Agreements

Segment and Field Level Identifier – 013 Message				Rpt	Optionality	Description / Purpose and composition instructions	Validation
3	FLD	Fax		1	Optional	This field is intended to store a Fax telephone number where applicable	No individual validation of this field.
3	FLD	Fax Ext		1	Optional	This field is intended to store a Fax extension telephone number where applicable	No individual validation of this field.
3	FLD	Email		1	Optional	This field is intended to store electronic mail address details where applicable	<p>Message will fail validation if email is not structured to the following rules:</p> <ul style="list-style-type: none"> • A mail address may contain the character @ only once • There must not be a full-stop at the beginning • There must not be a full-stop immediately before the character @ • There must not be a full-stop immediately after the character @ • There must not be a full-stop at the end of the address • There must not be two subsequent full-stops in the address • There must be no blank character in the address <p>Where an invalid email address is received, the message in its entirety will be rejected via MM014R with Reject Reason EMA.</p>

Market Message Guide – Customer and Data Agreements

		Segment and Field Level Identifier – 013 Message		Rpt	Optionality	Description / Purpose and composition instructions	Validation	
2		SEG	Notification Address	1	See instructions	An address for correspondence with customers. This segment is mandatory where a notification address is being added or changes are being made to an existing notification address. When providing a new notification address Suppliers must provide either a Street Type Address or a PO Box Type Address but not both. N: B If Suppliers wish to change an existing notification address they must resend the entire address, including any changes they wish to make.	No individual validation at Segment level	
	3	SEG	Street Type Address	1	See instructions	Street type address provides details such as Street Name, House no etc. This segment is mandatory where a street type address is being provided or changed as part of notification address	No individual validation at Segment level.	
	4		FLD	C/O Name	1	Optional	This is the name to which correspondence can be addressed where this is different to the customer name.	No individual validation of this field.
	4		FLD	Unit No.	1	Optional	This field can be used to populate information relating to the unit, flat or apartment number that can be part of an address	No individual validation of this field
	4		FLD	Addr Line 1	1	Optional	This field can be used as overflow for address details that apply before the street part of an address.	No individual validation of this field.

Market Message Guide – Customer and Data Agreements

Segment and Field Level Identifier – 013 Message		Rpt	Optionality	Description / Purpose and composition instructions	Validation
4	FLD Addr Line 2	1	Optional	This field can be used as overflow for address details that apply before the street part of an address.	No individual validation of this field.
4	FLD House No.	1	Optional	This can be used to populate the number of a premises given as part of an address.	No individual validation of this field.
4	FLD Street	1	See Instructions	This field stores information relating to the street part of an address One of PO Box Number or Street must be provided if populating the Notification address segment.	Message will fail validation if at least one of this item or PO Box Number is not provided for Notification Addresses.
4	FLD Addr Line 4	1	Optional	This field can be used as overflow for address details that apply after the street part of an address.	No individual validation of this field.
4	FLD Addr Line 5	1	Optional	This field can be used as overflow for address details that apply after the street part of an address.	No individual validation of this field.
4	FLD Postal Code	1	Optional	<p>This is the Postal Code given as part of an address where appropriate. Ireland has implemented a Postal Code system called Eircode and where available it is recommended that these Postal Codes for Technical Contact Details are communicated in Market Messages.</p> <p>They should conform to the Eircode structure A65F4E2 (there is one allowable exception for the first three characters viz.D6W) where each Eircode is comprised of seven uppercase alpha/numeric characters.</p>	No individual validation of this field.

Market Message Guide – Customer and Data Agreements

Segment and Field Level Identifier – 013 Message		Rpt	Optionality	Description / Purpose and composition instructions	Validation	
4	FLD	City	1	Optional	Used to populate the details of which City an address resides in where appropriate	No individual validation of this field.
4	FLD	County - Ireland	1	Optional	A field denoting the county in Ireland in which an address resides. See the list of data codes for permissible values here.	Message will fail validation if item does not match one of allowed code values where provided.
4	FLD	County / State	1	Optional	This denotes the county in which an address is situated. This is a free text 40 character field for use in non – Irish Addresses.	No individual validation of this field.
4	FLD	Country	1	See instructions	A field that makes up part of an address denoting in which country the address resides. This item must be provided for Notification (Street Type) Addresses. See list of data codes for valid entries here.	Message will fail validation if item omitted or does not match one of allowed code values where segment provided.
3	SEG	P.O. Box Type Address	1	See instructions	This segment allows a PO Box address to be stored as part of a notification address. This segment must be populated if a PO Box address is being added or changed for a customer.	This address type takes precedence over the Street type address part of Notification address for the purposes of correspondence with the customer where provided.
4	FLD	PO Box Number	1	See instructions	This number denotes the number given to a PO Box address and is a mandatory field if a PO Box address is provided or changed for a customer. At least one of PO Box Number or Street must be provided for Notification Addresses.	Message will fail validation if at least one of this item and Street is not provided for Notification Addresses.

Market Message Guide – Customer and Data Agreements

Segment and Field Level Identifier – 013 Message				Rpt	Optionality	Description / Purpose and composition instructions	Validation
4	FLD	Postal Code		1	Optional	<p>This is the Postal Code given as part of an address where appropriate. Ireland has implemented a Postal Code system called Eircode and where available it is recommended that these Postal Codes for Technical Contact Details are communicated in Market Messages.</p> <p>They should conform to the Eircode structure A65F4E2 (there is one allowable exception for the first three characters viz.D6W) where each Eircode is comprised of seven uppercase alpha/numeric characters.</p>	No individual validation of this field.
4	FLD	City		1	Optional	Used to populate the details of which City an address resides in where appropriate	No individual validation of this field.
4	FLD	Country		1	See instructions	A field that makes up part of an address denoting in which country the address resides. This field is mandatory if a PO Box address is provided or changed for a customer.	Message will fail validation if item omitted or does not match one of allowed code values where segment provided.
2	FLD	Delete PO Box Address		1	Mandatory	This is a Boolean True / False flag that denotes whether or not a PO Box Address is to be deleted. This flag should only be set to 1, i.e. a logical value of True, where a PO Box Address currently exists and the Supplier wishes to delete it.	Message will fail validation where this item is omitted. Where this field is set to 1 = True the entire PO Box address held by networks will be deleted.

Market Message Guide – Customer and Data Agreements

		Segment and Field Level Identifier – 013 Message		Rpt	Optionality	Description / Purpose and composition instructions	Validation
2		FLD	Supplier ID	1	Mandatory	The Supplier to whom the Meter Point is registered. A valid Supplier ID registered to the MPRN must be provided.	The Supplier ID must be a valid ID that identifies the Supplier as the registered Supplier for that Meter Point. A 014R is generated if Supplier is not registered to the MPRN.
2		FLD	Access Instructions	1	See instructions	Access Instructions is text for standing instructions for data collector access to the metering. This field should always be provided by suppliers where they are adding or making changes to access instructions.	Where additions or changes to this data are requested on this message these are out sorted for manual checking by Networks Personnel.
2		FLD	Delete Access instructions	1	Mandatory	This is a Boolean True / False flag that denotes whether or not Access Instructions are to be deleted. This flag should only be set to 1 i.e. a logical value of True where suppliers wish all Access instructions held for a customer to be deleted.	Message will fail validation if this item is omitted. Where this Flag is set to 1 the workflow is out sorted and the Access Instructions to be deleted are reviewed by Networks Personnel. Flag should be set to 0 (False) in all other instances.
2		FLD	Change of Usage Type	1	Optional	Change of Usage Type is a code provided by the Supplier to indicate a potential change of usage from Domestic to Commercial or vice versa. This code is only provided where Suppliers wish to notify a change. Code - 01 commercial 02 Residential N: B Networks has no link between Customer Usage Type and Economic Activity Indicator – Both items should be sent if they have changed.	Where this code is provided it must be set to either 01 – Commercial or 02 – Residential. Any other value will fail validation. <ul style="list-style-type: none"> • Changes from 01 to 02 are out-sorted and checked before updating • Changes from 02 to 01 are updated automatically.

Market Message Guide – Customer and Data Agreements

		Segment and Field Level Identifier – 013 Message		Rpt	Optionality	Description / Purpose and composition instructions	Validation
							If MIC on the MPRN is greater than 30 or does not equal DG1, DG2 or DG5, message will fail validation.
2		FLD	Economic Activity Indicator	1	See instructions	Economic Activity Indicator is a detailed code indicating the type of activity undertaken by the customer in the premises. This item will be updated by Networks where a valid code is provided. See list of data codes for valid items here.	Message will fail validation if this item does not match one of allowed values where provided on message.
2	FLD		Meter Reader Password	1	Optional	Not used in ROI	No validation on this field
2	FLD		Delete Meter Reader Password	1	Optional	Not used in ROI	No validation on this field
2	FLD		Long Term Vacant Indicator	1	Optional	Not used in ROI	No validation on this field
2		FLD	Display on Extranet	1	See Instructions	A Boolean message flag to indicate whether the Priority Services Register code(s) for the MPRN should be displayed on the ROI MP Extranet and the dom\$_CUST Downloadable Meter Point Details File. This field should be populated if either Medical Equipment Special Needs codes 0003 or 0004 are notified on this message and this flag should be 'Y' or 'N'.	MRSO will store update if provided
2		FLD	Contact Name (Technical)	1	See instructions	This is the contact name of a person available for contacting for Technical purposes relating to the Meter Point where this is different to the Customer	No individual validation of this field

Market Message Guide – Customer and Data Agreements

		Segment and Field Level Identifier – 013 Message		Rpt	Optionality	Description / Purpose and composition instructions	Validation
						Contact. This field must be provided where Technical contact name details are being added or changed for an MPRN.	
2		SEG	Technical Contact Details	1	See instructions	This segment refers to the technical contact phone numbers for a technical representative. This segment must be populated where Suppliers are creating new technical contact details for an MPRN or where they are changing existing technical contact details.	No individual validation of this segment
	3	FLD	Phone number 1	1	See instructions	This is the principal phone number of a Technical contact and must be populated by Supplier	No individual validation of this field.
	3	FLD	Phone Ext1	1	Optional	This is the principal phone number overflow field for storing number extensions where applicable	No individual validation of this field.
	3	FLD	Phone number 2	1	Optional	This field can be used for the secondary phone number where this is required.	No individual validation of this field.
	3	FLD	Phone Ext2	1	Optional	This is the secondary phone number overflow field for storing number extensions where applicable.	No individual validation of this field.
	3	FLD	Fax	1	Optional	This field is intended to store a Fax telephone number where applicable	No individual validation of this field.
	3	FLD	Fax Ext	1	Optional	This field is intended to store a Fax extension telephone number where applicable	No individual validation of this field.

Market Message Guide – Customer and Data Agreements

Segment and Field Level Identifier – 013 Message				Rpt	Optionality	Description / Purpose and composition instructions	Validation
	3	FLD	Email	1	Optional	This field is intended to store electronic mail address details where applicable	<p>Message will fail validation if email is not structured to the following rules:</p> <ul style="list-style-type: none"> • A mail address may contain the character @ only once • There must not be a full-stop at the beginning • There must not be a full-stop immediately before the character @ • There must not be a full-stop immediately after the character @ • There must not be a full-stop at the end of the address • There must not be two subsequent full-stops in the address • There must be no blank character in the address <p>Where an invalid email address is received, the message in its entirety will be rejected via MM014R with Reject Reason EMA.</p>
2		SEG	Street Type Address (Technical)	1	See instructions	Street type address provides details such as Street Name, House no etc. This segment is mandatory where a street type address is being provided or changed as part of Technical Contact details.	No individual validation at segment level

Market Message Guide – Customer and Data Agreements

Segment and Field Level Identifier – 013 Message				Rpt	Optionality	Description / Purpose and composition instructions	Validation
3	FLD	C/O Name	1	Optional	This is the name to which correspondence can be addressed where this is different to the contact name.	No individual validation of this field.	
3	FLD	Unit No.	1	Optional	This field can be used to populate information relating to the unit, flat or apartment number that can be part of an address	No individual validation of this field.	
3	FLD	Addr Line 1	1	Optional	This field can be used as overflow for address details that apply before the street part of an address.	No individual validation of this field.	
3	FLD	Addr Line 2	1	Optional	This field can be used as overflow for address details that apply before the street part of an address.	No individual validation of this field.	
3	FLD	House No.	1	Optional	This can be used to populate the number of a premises given as part of an address	No individual validation of this field.	
3	FLD	Street	1	Mandatory	This field stores information relating to the street part of an address and must be populated if the segment is provided.	Message will fail validation if segment is provided and this field is left blank.	
3	FLD	Addr Line 4	1	Optional	This field can be used as overflow for address details that apply after the street part of an address.	No individual validation of this field.	
3	FLD	Addr Line 5	1	Optional	This field can be used as overflow for address details that apply after the street part of an address.	No individual validation of this field.	

Market Message Guide – Customer and Data Agreements

Segment and Field Level Identifier – 013 Message				Rpt	Optionality	Description / Purpose and composition instructions	Validation
3	FLD	Postal Code	1	Optional	<p>This is the Postal Code given as part of an address where appropriate. Ireland has implemented a Postal Code system called Eircode and where available it is recommended that these Postal Codes for Technical Contact Details are communicated in Market Messages.</p> <p>They should conform to the Eircode structure A65F4E2 (there is one allowable exception for the first three characters viz.D6W) where each Eircode is comprised of seven uppercase alpha/numeric characters.</p>	No individual validation of this field.	
3	FLD	City	1	Optional	Used to populate the details of which City an address resides in where appropriate	No individual validation of this field.	
3	FLD	County - Ireland	1	See instructions	A field denoting the county in Ireland in which an address resides. See the list of data codes for permissible values here. If the Technical Street Type Address is in Ireland this item must be populated.	Message will fail validation if item does not match one of allowed code values	
3	FLD	County / State	1	Optional	This denotes the county in which an address is situated. This is a free text 40 character field for use in non – Irish Addresses.	No individual validation of this field	

Market Message Guide – Customer and Data Agreements

Segment and Field Level Identifier – 013 Message				Rpt	Optionality	Description / Purpose and composition instructions	Validation
	3	FLD	Country	1	See instructions	A field that makes up part of an address denoting in which country the address resides. This item must be provided where a Technical Street Type Address is provided. See list of data codes for valid entries here.	Message will fail validation if item omitted or does not match one of allowed code values where segment provided.
2		FLD	Medical Equipment Special Needs Details	1	Optional	A code indicating the type of medical equipment special needs that a customer has. This item must be provided by Suppliers where they are adding or changing these details. The allowed values to be used by Suppliers are as follows: 03 – Life Support 04 – Non Life Support 05 - Medical Institution	Message will fail validation if item does not match one of the following values: 0003 Life Support 0004 Non Life Support 0005 Medical Institution
2		FLD	Delete Medical Equipment Special Needs Details	1	Mandatory	This is a Boolean True / False flag indicating whether or not medical equipment special needs details are to be deleted. This flag should only be set to 1 i.e. a logical value of True where Suppliers wish these details to be deleted.	Message will fail validation if this item is not populated. Where true, the value to be deleted should also be provided in the Medical Equipment Special Needs Details field above. Flag should be set to 0 (False) in all other instances.
2		SEG	Special Needs Delete Details	0..N	Optional	New segment to carry one or more additions and/or deletions from the set of Customer Special Needs Codes. Fields within the segments occur in pairs: CustomerServiceDetailsCode indicates the special needs code (see below) and DeleteCustomerServiceDetailsFlag indicates the operation on the paired code, that is, addition or	No individual validation at segment level

Market Message Guide – Customer and Data Agreements

		Segment and Field Level Identifier – 013 Message		Rp t	Optionalit y	Description / Purpose and composition instructions	Validation
						deletion. If the DeleteCustomerServiceDetailsFlag is set to 1/TRUE, then the corresponding code is deleted, otherwise the code is added	

Market Message Guide – Customer and Data Agreements

	3	FLD	Customer Service Details Code	1..N	Mandatory	<p>A code or set of codes indicating the type of special customer service need(s) that a customer has.</p> <p>If the customer has special customer service needs then the relevant code or codes should be selected from the following:</p> <ul style="list-style-type: none"> • 0001 Visually Impaired • 0002 Speech Impaired • 0003 Hearing Impaired • 0004 Elderly • 0005 Language Difficulty • 0006 Learning Difficulty • 0007 Mobility Impaired • 0008 Dexterity Impaired • 0009 Mental Health • 0010 Other <p>New code 0010 Other is included in the schema but should not be selected by Market Participants.</p>	<p>One or more customer special needs codes as provided by the Supplier will be validated against the permitted list (see below). If the message is fully valid, then a 114 market message will issue but will not specifically list the code or codes provided (as today for a single code). If any of the codes provided is invalid, then a 114R market message will issue with a single Reject Reason Code of IA.</p> <p>New code 0010 Other is included in the schema but should not be selected by Market Participants.</p> <p>Where the code 0010 Other is submitted on an 013, the message, in its entirety, will be rejected using the 014R , with the Reject Reason Code IID.</p> <table border="0" data-bbox="1671 879 2051 1294"> <tr> <td>0001</td> <td>Visually Impaired</td> </tr> <tr> <td>0002</td> <td>Speech Impaired</td> </tr> <tr> <td>0003</td> <td>Hearing Impaired</td> </tr> <tr> <td>0004</td> <td>Elderly</td> </tr> <tr> <td>0005</td> <td>Language Difficulty</td> </tr> <tr> <td>0006</td> <td>Learning Difficulty</td> </tr> <tr> <td>0007</td> <td>Mobility Impaired</td> </tr> </table>	0001	Visually Impaired	0002	Speech Impaired	0003	Hearing Impaired	0004	Elderly	0005	Language Difficulty	0006	Learning Difficulty	0007	Mobility Impaired
0001	Visually Impaired																				
0002	Speech Impaired																				
0003	Hearing Impaired																				
0004	Elderly																				
0005	Language Difficulty																				
0006	Learning Difficulty																				
0007	Mobility Impaired																				

Market Message Guide – Customer and Data Agreements

							<p>0008 Dexterity Impaired</p> <p>0009 Mental Health</p> <p>0010 Other</p>
	3	FLD	Delete Customer Service Details Flag	1..N	Mandatory	This is a Boolean True / False flag indicating whether or not Customer Service Special needs details are to be deleted. This flag should only be set to 1, that is, a logical value of True, where Suppliers wish the corresponding special needs code to be deleted.	Message will fail validation if this item is not populated. Where true, the value to be deleted should also be provided in the paired Customer Service Special Needs Details field above. Flag should be set to 0 (False) in all other instances.
2		FLD	Market Participant Business Reference	1	Mandatory	This is the Suppliers number given as reference in the request. This will be used in future contact with Suppliers to reference the request where necessary.	Message will fail validation if this item is omitted.
2		FLD	Change Meter Point Address	1	Mandatory	This is a Boolean True / False flag to denote whether or not changes are requested to be made to Meter Point Address details. 1 relates to a logical value of True while 0 relates to logical false	Message will fail validation if this item is omitted. Where this item is flagged 1 i.e. a logical value of True the request is marked to be manually out sorted and checked by a Networks Customer Service Operative.
2		SEG	Smart Data Services	0..1	Optional	This segment contains the Interval and Non Interval Smart Data Services applicable to a Smart Meter	<p>This segment is only valid where a smart Meter is present otherwise the message in its entirety will be rejected on 014R with Reject Reason Code NSM</p> <p>If there is a CoS in progress and this segment is populated this message in its entirety will be rejected with Reject Reason Code CIP</p>

Market Message Guide – Customer and Data Agreements

3		FLD	Smart Data Services Code	1	Mandatory	<p>This field is populated where a Smart Data Service is being requested</p> <p>The valid codes are: .</p> <p>01 - Interval Services</p> <p>02 - Non Interval Services</p>	<p>Where the Smart Data Service Code field is populated - this message will fail validation if:</p> <p>The Smart Data Service Code is populated, and a smart meter isn't present a 014R will issue with Reject Reason Code NSM</p> <p>The Smart Data Service Code and Smart Non Participation Code are populated 014R will issue with Reject Reason Code ISR.</p> <p>The Smart Data Services Code value requested is not supported by the CTF value i.e.</p> <p>If the value of the Smart Data Services Code field is 01 then CTF must be 03 or 04</p> <p>If the value of the Smart Data Services Code field is 02 then CTF must be 01,02,03 or 04</p> <p>Otherwise a 014R will issue with Reject Reason Code SCI</p>
3		FLD	Meter Configuration Code (Required)	1	Mandatory	<p>The Meter Configuration Code (Required) is a code on a message from the supplier to indicate the functionality required by the Supplier to be delivered by the combination of registers physically installed at a meter point. It does not describe the technical attributes of the meter(s).</p>	<p>Message will fail validation and 014R will issue with Reject Reason Code SCI</p> <p>where:</p> <p>The required MCC does not correspond with the relevant Smart Data Services Field</p> <p>or</p> <p>The MCC specified is a Legacy MCC</p>

Market Message Guide – Customer and Data Agreements

						<p>Allowable Combinations:</p> <table border="1"> <tr> <td>Smart Data Services Code</td> <td>Required MCC</td> </tr> <tr> <td>Interval Data Service (01)</td> <td>MCC12</td> </tr> <tr> <td>Non Interval Data Service (02)</td> <td>MCC16</td> </tr> </table> <p>Or Message will fail validation and 014R will issue with Reject Reason Code IMF where:</p> <p>New MCC's 13 ,14, 15, 17,18,19,20 are included in the schema but should not be selected by Market Participants</p> <p>Where any of the MCC's 13 ,14, 15, 17,18,19,20 are submitted on an 013, the message, in its entirety, will be rejected using the 014R , with the Reject Reason Code IMF</p>	Smart Data Services Code	Required MCC	Interval Data Service (01)	MCC12	Non Interval Data Service (02)	MCC16
Smart Data Services Code	Required MCC											
Interval Data Service (01)	MCC12											
Non Interval Data Service (02)	MCC16											
2		FLD	Smart Non Participation Code	1	Optional	<p>A code indicating the type of Smart Non Participation customer.</p> <p>The relevant code should be selected from the following:</p> <p style="padding-left: 40px;">02 Non Technical Non Participation</p> <p style="padding-left: 40px;">03 Multiple Visits No Access</p> <p>Suppliers can only request to remove Smart Non Participation Details</p>	<p>Smart Non Participation codes as provided by the Supplier will be validated against the permitted list (see below). If the message is fully valid, then a 114 market message will issue. If the code provided is invalid, then a 014R market message will issue with a Reject Reason Code of SNP</p> <p>Only the removal of 02 and 03 codes is permissible.</p>					

Market Message Guide – Customer and Data Agreements

							Request to remove Smart Non Participation code while CoS in progress will be rejected with the Reject Reason Code CIP
--	--	--	--	--	--	--	---

2.2 114 Change of Customer Details Confirmation

Purpose / Description of message

The 114 Change of customer details confirmation message is sent by ESB Networks to the following Market Participants:

- To Market registered Supplier
- To TSO for QH Meter points

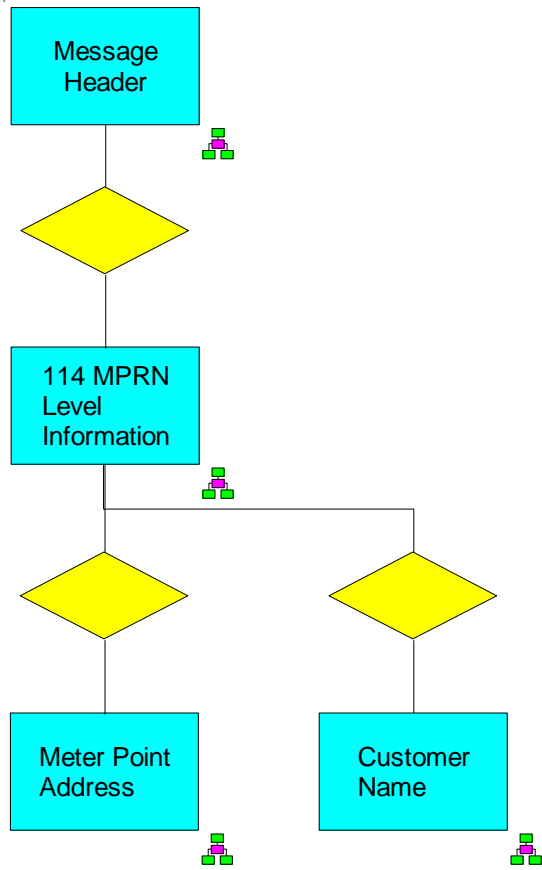
The 114 advises of the following changes:

- To advise of changes to Meter point address
- To confirm changes to Meter point address requested by Supplier on a 013.
- To confirm that Networks have made changes to customer details that were notified by registered Supplier on a 013
- To advise of Duos Group changes (Duos Group DG1, DG2 to DG5 and DG5 to DG1, DG2 and DG1 to DG2 or DG2 to DG1).
- To confirm that Networks have made changes to Duos Group indicated by Supplier on 013 / 016 as a change to Customer usage type (Duos Group DG1, DG2 to DG5 and DG5 to DG1, DG2 only).

Market Message Guide – Customer and Data Agreements

- To advise of Smart Non Participation Detail changes
- To advise of Smart Data Services Changes
- To confirm that Networks have made the changes to Smart Non Participation Details as indicated by Supplier
- To advise of Comms Technically Feasible changes to the Registered Supplier
- Where a CoS is in progress a change to Comms Technically Feasible is also sent to the New Supplier

Data hierarchy diagram



Market Message Guide – Customer and Data Agreements

Message Structure

This section describes the structure of the 114 message. The purpose of the message segments and data items is explained and any rules for composition outlined.

Segment and Field Level Identifier –114 Message			Rpt	Optionality	Description / Purpose and composition instructions
1 Message Header			1	Mandatory	<i>Refer to common data segments document</i>
1 Meter Point Details			1	Mandatory	
2	FLD	MPRN	1	Mandatory	The unique identifying reference number for the Meter Point to be registered. All elements of MPRN will be provided.
2	SEG	Meter Point Address	1	Mandatory	The address at which the Meter Point is connected. Networks will populate this segment with the details of the Meter Point Address held in Networks Systems. This will include any changes where changes to Meter Point Address have been denoted (See Meter Point Address Changed – Flag).
3	FLD	Unit No.	1	Optional	This field can be used to populate information relating to the unit, flat or apartment number that can be part of an address
3	FLD	Addr Line 1	1	Optional	This field can be used as overflow for address details that apply before the street part of an address.
3	FLD	Addr Line 2	1	Optional	This field can be used as overflow for address details that apply before the street part of an address.
3	FLD	House No.	1	Optional	This can be used to populate the number of a premises given as part of an address

Market Message Guide – Customer and Data Agreements

Segment and Field Level Identifier –114 Message			Rpt	Optionality	Description / Purpose and composition instructions
3	FLD	Street	1	See Instructions	This field stores information relating to the street part of an address. This field will be populated on this message.
3	FLD	Addr Line 4	1	Optional	This field can be used as overflow for address details that apply after the street part of an address.
3	FLD	Addr Line 5	1	Optional	This field can be used as overflow for address details that apply after the street part of an address.
3	FLD	Postal Code	1	Optional	<p>This is the Postal Code given as part of an address where appropriate. Ireland has implemented a Postal Code system called Eircode and where available it is recommended that these Postal Codes for Technical Contact Details are communicated in Market Messages.</p> <p>They should conform to the Eircode structure A65F4E2 (there is one allowable exception for the first three characters viz.D6W) where each Eircode is comprised of seven uppercase alpha/numeric characters.</p>
3	FLD	City	1	Optional	Used to populate the details of which City an address resides in where appropriate
3	FLD	County – Ireland	1	See Instructions	This denotes the county in which an address is situated. See the list of data codes for permissible values here. This field will be populated on this message.

Market Message Guide – Customer and Data Agreements

Segment and Field Level Identifier –114 Message			Rpt	Optionality	Description / Purpose and composition instructions
3	FLD	Country	1	See Instructions	This denotes the country in which an address is situated. See the list of data codes for permissible values here. This field will be populated on this message and will always be one of the following values: IE / GB
2	SEG	Customer Name	1	Mandatory	The customer with whom the Supplier has concluded an agreement to supply electricity. Networks will populate this segment with the Customer Name details held on Networks Systems, and will reflect any changes requested on a 013.
3	FLD	Title	1	Optional	This relates to the title of a person that comes before a name for addressing purposes. See the valid list of codes for Title.
3	FLD	Last Name	1	See Instructions	This is the last or family name. This field is mandatory if the customer is a person.
3	FLD	First Name	1	Optional	This is the first given name of a person
3	FLD	Name_Org1	1	See Instructions	This is the name of a company or organisation. This field is mandatory if the customer is an organisation.
3	FLD	Name_Org2	1	Optional	This field can be used as overflow for the name of a company or organisation
3	FLD	Registered Company No.	1	Optional	Registered Company Number is the number of a business as allocated by the Company Registration Office.
3	FLD	Trading As	1	Optional	This field can be used to populate information on companies / organisations that have a trading as name

Market Message Guide – Customer and Data Agreements

Segment and Field Level Identifier –114 Message			Rpt	Optionality	Description / Purpose and composition instructions
2	FLD	Supplier ID	1	Mandatory	The Supplier to whom the Meter Point is registered.
2	FLD	Change of Usage Flag	1	Mandatory	<p>Change of Usage Flag is a Boolean True / False flag to indicate whether or not a change of usage from Domestic to Commercial or vice versa has been carried out by Networks.</p> <p>Valid values are:</p> <ul style="list-style-type: none"> • 1 i.e. a logical value of True where usage has changed • 0 i.e. a logical value of False where usage has not changed.
2	FLD	Meter Point Address Changed	1	Mandatory	<p>This is a Boolean True / False flag to denote whether or not the Meter Point address has been changed.</p> <p>Valid values are:</p> <ul style="list-style-type: none"> • 1 i.e. a logical value of True where the MP Address has changed • 0 i.e. a logical value of False where the MP Address has not changed
2	FLD	Customer Details Changed	1	Mandatory	<p>This is a Boolean True / False flag to denote whether or not Customer details have been changed as notified by a 013. This includes Customer Service Special Needs and Medical Equipment Special Needs Details where appropriate.</p> <p>Valid values are:</p> <ul style="list-style-type: none"> • 1 i.e. a logical value of True where the Customer Details have changed • 0 i.e. a logical value of False where the Customer Details have not changed.

Market Message Guide – Customer and Data Agreements

Segment and Field Level Identifier –114 Message		Rpt	Optionality	Description / Purpose and composition instructions
2	FLD	DUoS Group	1	See Instructions This item will be provided in the following cases: Duos Group changes (Duos Group DG1, DG2 to DG5 and DG5 to DG1, DG2 only). <ul style="list-style-type: none">• This can be in response to a requested Change of usage type (013 / 016)• Advice of Networks initiated DUOS changes. (also DG1 to DG2 and vice versa) (See Message type below also)
2	FLD	Market Participant Business Reference	1	Optional This is a unique number given as reference in a request where one was provided on a 013 / 016 it will always be referenced back here on 114 messages marked as R = Response. 114 messages marked as A = Advice will not contain this item.
2	FLD	Message Status	1	Mandatory This is a code indicating whether or not the message is a response to a 013 / 016 or is for advice where networks have carried out a change to DUoS Group or updated CTF value or Smart Non Participation details. R = Response A = Advice.
2	FLD	Load Profile	1	See instructions Load Profile is a code that determines, when coupled with Timeslot, the derived profile to be applied to the consumption for settlement. It is provided on this message where a change in Customer Usage Type has taken place and this has resulted in a change in DUoS Group and therefore load profile.
2	FLD	Effective From Date	1	Optional Effective From Date is a date that indicates the inclusive date from which a notified event starts-, in this message it is only provided where Change of usage flag is true- date new Duos group is effective from..

Market Message Guide – Customer and Data Agreements

Segment and Field Level Identifier –114 Message			Rpt	Optionality	Description / Purpose and composition instructions
2	SEG	Smart Data Services	0..1	Optional	This segment contains the Interval and Non Interval Smart Data Services applicable to a smart Meter
3	FLD	Smart Data Services Code	1	Mandatory	<p>This field is populated where a Smart Data Service Code has been requested</p> <p>The valid codes are: .</p> <p>01 - Interval Services</p> <p>02 - Non Interval Services</p>
3	FLD	Meter Configuration Code (Required)	1	Mandatory	The Meter Configuration Code (Required) is a code on a message to the supplier to indicate the functionality required by the Supplier to be delivered by the combination of registers physically installed at a meter point. It does not describe the technical attributes of the meter(s).
2	FLD	Comms Technically Feasible	1	Optional	<p>This flag indicates to a supplier the feasibility of the Communications to the Smart meter</p> <p>Valid values are:</p> <ul style="list-style-type: none"> • 01 • 02 • 03 • 04 <p>Sites with legacy meters and smart meters that are awaiting Comms technically feasible confirmation will not show this field</p>

Market Message Guide – Customer and Data Agreements

Segment and Field Level Identifier –114 Message			Rpt	Optionality	Description / Purpose and composition instructions
2	SEG	Smart Non Participation Details	0..N	Optional	This segment informs the Supplier which Smart Non Participation Details have been added or deleted.
3	FLD	SmartNonParticipationCode	1	Mandatory	For each addition or removal, 02Non Technical Non Participation 03 Multiple Visits No Access 04 Smart Meter Exchange Deferred
3	FLD	DeleteSmartNonParticipationFlag	1	Optional	This is a Boolean True / False flag indicating whether or not Smart Non Participation Details are to be deleted. This flag should only be set to 1, that is, a logical value of True, where Suppliers wish the corresponding Smart Non Participation Details code to be deleted. Flag should be set to 0 (False) where Smart Non Participation Details have been added.

2.3 014R Customer Details Change Rejection

Purpose / Description of message

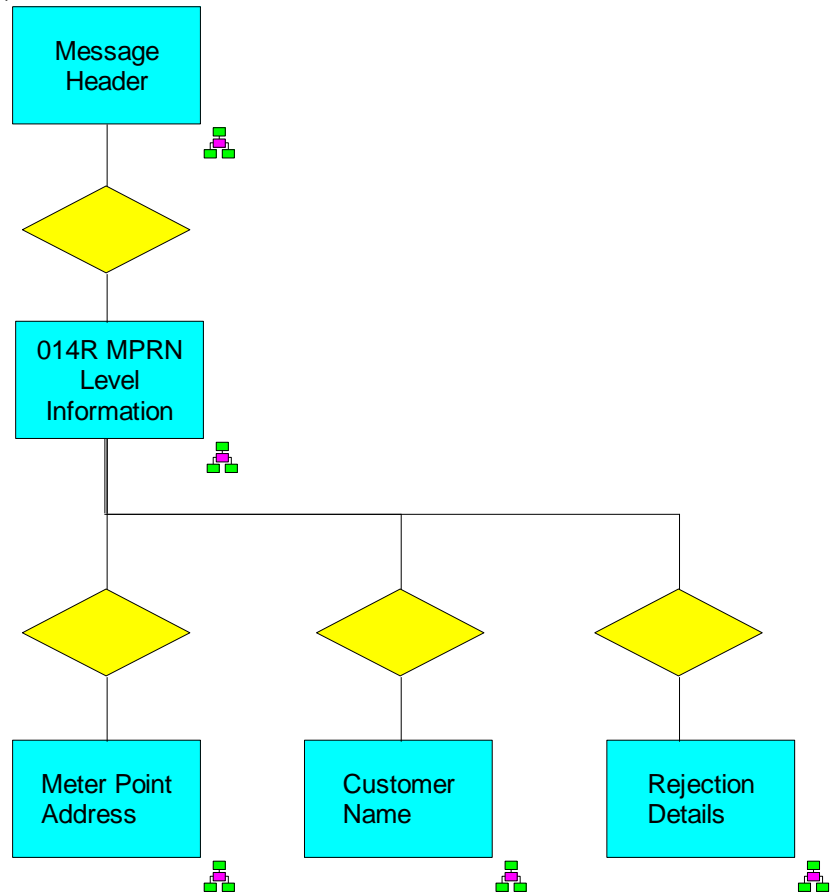
The 014R Customer details change rejection message is sent by the ESB Networks business to Market registered Supplier in the following circumstances:

- To reject 013 messages received with invalid MPRNs
 - To reject 013 messages received where Meter Point Status is not energised (i.e., where the Meter Point Status is 'D' or 'DR')
- To reject 013 messages received where email address is invalid, the message, in its entirety, will be rejected using the 014R , with the Reject Reason Code EMA
- To reject 013 messages received where the Supplier ID provided is not the registered Supplier for the MPRN
- To reject 013 messages received where the CustomerServiceDetailsCode 0010 Other is submitted on an 013, the message, in its entirety, will be rejected using the 014R , with the Reject Reason Code IID.
- To reject changes to customer details notified to them on a 013 / 016. Changes to customer details that can be rejected include the following categories:
 - Proposed changes to Meter point address sent on a 013
 - Proposed changes to customer details and / or Customer Usage Type sent on a 013
 - Proposed changes to Customer Usage Type sent on a 016.
 - Incorrect /invalid data on 013 or for change of usage on 016
 - Invalid Smart Meter Non Participation changes requested by Supplier
 - Proposed changes to Smart Meter Non Participation while CoS in progress
 - Invalid Smart Data Services requested by Supplier
 - Smart Data Services requested by Supplier cannot be carried out remotely

Market Message Guide – Customer and Data Agreements

- Where any of the MCC's 13 ,14, 15, 17,18,19,20 included in the schema are submitted on an 013, the message, in its entirety, will be rejected using the 014R, with the Reject Reason Code IMF

Data Hierarchy Diagram



Market Message Guide – Customer and Data Agreements

Message Structure

This section describes the structure of the 014R message. The purpose of the message segments and data items is explained and any rules for composition outlined.

Segment and Field Level Identifier – 014R Message			Rpt	Optionality	Description / Purpose and composition instructions
1 Message Header			1	Mandatory	<i>Refer to common data segments document</i>
1 Meter Point Details			1	Mandatory	
2	FLD	MPRN	1	Mandatory	The unique identifying reference number for the Meter Point to be registered. All elements of MPRN will be provided.
2	SEG	Meter Point Address	1	See instructions	The address at which the Meter Point is connected. This is populated with the address as held in Networks Systems. This segment is always populated on this message with the exception of the following scenario: <ul style="list-style-type: none"> • If the 013 is rejected for reason of invalid MPRN (Reject reason IMP below) this segment is not provided.
3	FLD	Unit No.	1	Optional	This field can be used to populate information relating to the unit, flat or apartment number that can be part of an address
3	FLD	Addr Line 1	1	Optional	This field can be used as overflow for address details that apply before the street part of an address.
3	FLD	Addr Line 2	1	Optional	This field can be used as overflow for address details that apply before the street part of an address.
3	FLD	House No.	1	Optional	This can be used to populate the number of a premises given as part of an address

Market Message Guide – Customer and Data Agreements

Segment and Field Level Identifier – 014R Message			Rpt	Optionality	Description / Purpose and composition instructions
3	FLD	Street	1	See instructions	This field stores information relating to the street part of an address. This field will be populated on this message.
3	FLD	Addr Line 4	1	Optional	This field can be used as overflow for address details that apply after the street part of an address.
3	FLD	Addr Line 5	1	Optional	This field can be used as overflow for address details that apply after the street part of an address.
3	FLD	Postal Code	1	Optional	<p>This is the Postal Code given as part of an address where appropriate. Ireland has implemented a Postal Code system called Eircode and where available it is recommended that these Postal Codes for Technical Contact Details are communicated in Market Messages.</p> <p>They should conform to the Eircode structure A65F4E2 (there is one allowable exception for the first three characters viz.D6W) where each Eircode is comprised of seven uppercase alpha/numeric characters.</p>
3	FLD	City	1	Optional	Used to populate the details of which City an address resides in where appropriate
3	FLD	County – Ireland	1	See instructions	This denotes the county in which an address is situated. See the list of data codes for permissible values here. This field will be populated on this message.

Market Message Guide – Customer and Data Agreements

Segment and Field Level Identifier – 014R Message			Rpt	Optionality	Description / Purpose and composition instructions
3	FLD	Country	1	See instructions	This denotes the country in which an address is situated. See the list of data codes for permissible values here. This field will be populated on this message.
2	SEG	Customer Name	1	See instructions	<p>The customer with whom the Supplier has concluded an agreement to supply electricity. Networks will populate this segment with the customer name details as held on Networks systems.</p> <p>This segment is always populated on this message with the exception of the following scenario:</p> <p>If the 013 is rejected for reason of invalid MPRN (Reject reason IMP below) this segment is not provided.</p>
3	FLD	Title	1	Optional	This relates to the title of a person that comes before a name for addressing purposes. See the valid list of codes for Title.
3	FLD	Last Name	1	See instructions	This is the last or family name. This field is mandatory if the customer is a person.
3	FLD	First Name	1	Optional	This is the first given name of a person
3	FLD	Name_Org1	1	See instructions	This is the name of a company or organisation. This field is mandatory if the customer is an organisation.
3	FLD	Name_Org2	1	Optional	This field can be used as overflow for the name of a company or organisation
3	FLD	Registered Company No.	1	Optional	Registered Company Number is the number of a business as allocated by the Company Registration Office.

Market Message Guide – Customer and Data Agreements

Segment and Field Level Identifier – 014R Message			Rpt	Optionality	Description / Purpose and composition instructions
3	FLD	Trading As	1	Optional	This field can be used to populate information on companies / organisations that have a trading as name
2	FLD	Supplier ID	1	Mandatory	This will be the supplier ID held by Networks as registered to the MPRN. If a reject reason of SNR is provided this will differ from the Supplier ID provided on the original 013.
2	FLD	Market Participant Business Reference	1	Mandatory	This is the Suppliers reference originally provided on the 013 / 016. This is provided to allow Suppliers to track which original request is being rejected.
2	SEG	Rejection Details	1..N	Mandatory	<p>This segment contains one reject reason. The Segment is repeated for each reject reason on the message.</p> <p>Where a site is not energised (<u>i.e. where the Meter Point Status is 'D' or 'DR'</u>), the 013 will be rejected in its entirety, with the Reject Reason Code IMS</p> <p>Where the CustomerServiceDetailsCode 0010 Other is submitted on an 013, the message, in its entirety, will be rejected with the Reject Reason Code IID.</p> <p>Where there is a CoS in progress and a change to Smart Data Services is requested, the message in its entirety will be rejected with Reject Reason Code CIP</p> <p>Invalid Smart Meter Non Participation changes requested by Supplier ,will be rejected with the Reject Reason Code SNP.</p> <p>Smart Data Services requested by Supplier without a smart Meter being present, the message, in its entirety, will be rejected with the Reject Reason Code NSM. Where both Smart Data Services is</p>

Market Message Guide – Customer and Data Agreements

Segment and Field Level Identifier – 014R Message			Rpt	Optionality	Description / Purpose and composition instructions
					<p>requested and Smart Meter Non Participation code removal is requested the message, in its entirety, will be rejected with the Reject Reason Code ISR.</p> <p>Invalid Smart Data Services requested by Supplier, the message, in its entirety, will be rejected with the Reject Reason Code SCI.</p> <p>Where Smart Data Services requested by a Supplier cannot be carried out remotely, the 014R with Reject Reason Code RCF will be sent.</p> <p>Where any of the MCC's 13 ,14, 15, 17,18,19,20 are submitted on an 013, the message, in its entirety, will be rejected using the 014R , with the Reject Reason Code</p> <p>Where invalid email address is submitted under Customer Contact Details or Technical Contact Details, the message in its entirety, will be rejected with the Reject Reason Code EMA</p> <p>Request to remove Smart Non Participation code while CoS in progress will be rejected with the Reject Reason Code CIP</p>
3	FLD	Reject Reason	1	Mandatory	<p>Reject Reason is a code to identify why data was rejected. The valid reject reasons for this message are as follows:</p> <p>IMP Invalid MPRN SNR Supplier Not registered to MPRN</p>

Market Message Guide – Customer and Data Agreements

Segment and Field Level Identifier – 014R Message			Rpt	Optionality	Description / Purpose and composition instructions
					<p>ICU Invalid Change of Customer Usage</p> <p>ICD Invalid change of Meter point address</p> <p>IID Invalid / incomplete data</p> <p>DIJ Data invalid for jurisdiction (Valid until market schema is changed)</p> <p>IA Invalid Action</p> <p>AD1 Duplicate street address/numbering exists in the city/street proposed.</p> <p>AD2 Approval not received in writing from Local Authority to change street/dev. name.</p> <p>AD3 DUoS group conflict here.</p> <p>AD4 MPRN stated either terminated or disconnected</p> <p>AD5 Being dealt with as a bulk address correction for the development.</p> <p>AD6 Requested address change does not conform to the regional structure.</p> <p>AD7 No payment for DMR</p> <p>AD8 Other Address reason</p> <p>AD9 Invalid Postal Code</p> <p>IMS Invalid MPRN status</p> <p>CIP CoS in progress</p> <p>SNP Smart Non Participation details invalid</p> <p>IMF Invalid Meter configuration code</p> <p>RCF Remote Change Failed</p> <p>SCI Smart Configuration Invalid</p> <p>NSM No Smart Meter</p> <p>ISR Inconsistent Service Request</p> <p>EMA Invalid Email Address</p> <p>IMP is also used where MPRN is not valid for this jurisdiction.</p>

2.4 016 Change of Legal Entity

Purpose / Description of message/Validation

The 016 Change of Legal Entity message is sent by Market registered Suppliers to the ESB Networks business to notify them of a Change of Legal Entity at a metered location to which they are the registered Supplier. This includes the following:

- Notification that the new Customer moving into the property has an agreement for Supply with the Supplier
- Notification of the new Customers name and contact details (Including Notification Address where applicable)
- Notification of any Medical Equipment (Priority Services Register - PSR) or Customer Service Special Needs (Special Services Register - SSR) that the Customer may have.
- Notification of a set of Start Readings for the new Customer at the Meter Point where applicable.
- Notification of the request for changes to Smart Data Services Interval or Non Interval for the new Customer.

On receipt of this message Networks carry out the following message level validations:

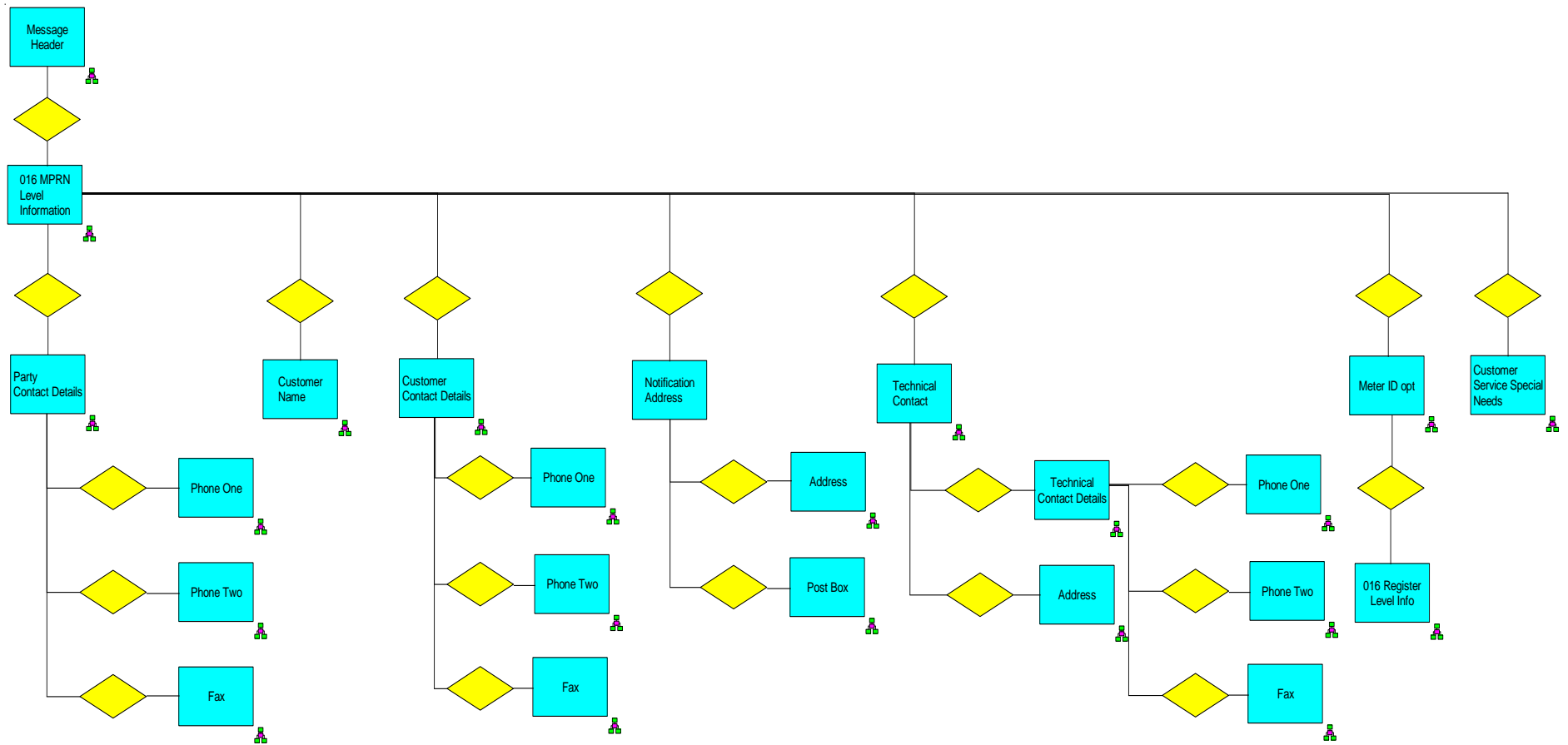
- That the message type code is valid
- That the MPRN has a valid Meter Point Status of Energised
- That email address where provided is valid
- That the version of the message is currently supported
- That the recipient ID matches the ID held by the receiving system
- That all Segments and fields defined as Mandatory are present
- That the MPRN is valid for the required date of the Change of Legal Entity

Market Message Guide – Customer and Data Agreements

- That the Supplier is registered to the MPRN
- That the Smart Data Service and required MCC are valid
- A check for open meter works requests is carried out. If Meter Works are in progress the 016 Change of Legal Entity message is rejected with a reject reason of Meter Works Open (MWO). (Excluding specified Networks initiated work orders e.g. planned meter replacement)
- MPRN contains Maximum Demand metering and the last read received by Networks is not of read type Actual read
- A check is made for a pending 016 Change of Legal Entity request with a future date. Where one is pending with a future date, and another 016 is received, with a move in date earlier than the pending 016, the pending 016 is rejected using a116R.
- On receipt of a 016 Networks carry out a check for an open Change of Supplier transaction for the MPRN provided. Where an open Change of Supplier is found an 116N Change of Legal Entity Notification message is sent to the Supplier with the Pending registration.
- On receipt of a 016 Networks carry out a check for an open Change of Supplier transaction for the MPRN, the message in its entirety will be rejected on the 116R if there are proposed changes to Smart Data Services with Reject Reason Code CIP.
- See Appendix (Section 3.1) for process for rejection of 016 where MCC Changes/Contract Changes have been updated in the past two days

Market Message Guide – Customer and Data Agreements

Data Hierarchy Diagram



Market Message Guide – Customer and Data Agreements

Message Structure/Validation

This section describes the structure of the 016 message. The purpose of the message segments and data items are explained and any rules for composition outlined. Networks will undertake the validation of the message at segment and field level.

Segment and Field Level Identifier – 016 Message			Rpt	Optionality	Description / Purpose and composition instructions	Validation	
1 Message Header			1	Mandatory	<i>Refer to common data segments document</i>		
1 Meter Point Details			1	Mandatory			
2	FLD	MPRN	1	Mandatory	The unique identifying reference number for the Meter Point that the customer is taking over. All elements of MPRN must be provided. MPRN must be valid for Supplier at relevant date.	The MPRN must exist in an assigned state and not be terminated. The MPRN must be registered to that Supplier (See Supplier ID).	
2	SEG	Customer Name	1	Mandatory	The customer with whom the Supplier has concluded an agreement to supply electricity. This segment is mandatory on this message so as to notify Networks of the customer's name details for the meter point. Either the name of an organisation or the name of an individual should be provided (i.e. either Name_Org1 or First Name and Last Name) but not both.	This segment must be provided on a 016. If an invalid combination of fields received message will fail validation: possible combinations 1-title, last name , first name 2- name_org1, name_org2, Reg Comp Num, T/A e.g. if title and name-org1 received message will fail validation.	
	3	FLD	Title	1	Optional	This relates to the title of a person that comes before a name for addressing	This field will be ignored if it does not match one of the valid codes for title.

Market Message Guide – Customer and Data Agreements

Segment and Field Level Identifier – 016 Message		Rpt	Optionality	Description / Purpose and composition instructions	Validation	
				purposes. See the valid list of codes for Title.		
3	FLD	Last Name	1	See instructions	This is the last or family name. This field is mandatory if the customer is a person. Message will fail validation if this or Name_Org1 is not provided.	
3	FLD	First Name	1	Optional	This is the first given name of a person	No individual validation of this field
3	FLD	Name_Org1	1	See instructions	This is the name of a company or organisation. This field is mandatory if the customer is an organisation.	This field is mandatory if the customer is an organisation. Message will fail validation if this or Last Name is not provided.
3	FLD	Name_Org2	1	Optional	This field can be used as overflow for the name of a company or organisation	No individual validation of this field.
3	FLD	Registered Company No.	1	Optional	Registered Company Number is the number of a business as allocated by the Company Registration Office.	No individual validation of this field.
3	FLD	Trading As	1	Optional	This field can be used to populate information on companies / organisations that have a trading as name	No individual validation of this field.
2	SEG	Change Of Tenancy History	1	Optional	Not used in ROI	No validation on this field
3	FLD	Previous Supplier	1	Mandatory	Not used in ROI	No validation on this field

Market Message Guide – Customer and Data Agreements

Segment and Field Level Identifier – 016 Message			Rpt	Optionality	Description / Purpose and composition instructions	Validation
3	FLD	Previous Account Number	1	Optional	Not used in ROI	No validation on this field
3	FLD	Previous MPRN	1	Optional	Not used in ROI	No validation on this field
3	FLD	Previous Address	1	Optional	Not used in ROI	No validation on this field
2	SEG	Customer Contact Details	1	See instructions	A set of details enabling the customer to be contacted. This segment is mandatory where these details are known to the Supplier requesting the Change of Legal Entity.	No individual validation of this segment.
3	FLD	Phone number 1	1	See instructions	This is the principal phone number of a customer and must be populated if available	No individual validation of this Field.
3	FLD	Phone Ext1	1	Optional	This is the principal phone number overflow field for storing number extensions where applicable	No individual validation of this Field.
3	FLD	Phone number 2	1	Optional	This field can be used for the secondary phone number where this is required.	No individual validation of this Field.
3	FLD	Phone Ext2	1	Optional	This is the secondary phone number overflow field for storing number extensions where applicable.	No individual validation of this Field.
3	FLD	Email	1	Optional	This field is intended to store electronic mail address details where applicable	Message will fail validation if email is not structured to the following rules:

Market Message Guide – Customer and Data Agreements

Segment and Field Level Identifier – 016 Message		Rpt	Optionality	Description / Purpose and composition instructions	Validation	
					<ul style="list-style-type: none"> • A mail address may contain the character @ only once • There must not be a full-stop at the beginning • There must not be a full-stop immediately before the character @ • There must not be a full-stop immediately after the character @ • There must not be a full-stop at the end of the address • There must not be two subsequent full-stops in the address • There must be no blank character in the address <p>Where an invalid email address is received, the message in its entirety will be rejected via MM116R with Reject Reason EMA</p>	
3	FLD	Fax	1	Optional	This field is intended to store a Fax telephone number where applicable	No individual validation of this Field.
3	FLD	Fax Ext	1	Optional	This field is intended to store a Fax extension telephone number where applicable	No individual validation of this Field.
2	SEG	Notification Address	1	See instructions	An address for correspondence with customers. The notification address segment should only be provided if the Meter Point Address is not the address for	No individual validation at Segment level.

Market Message Guide – Customer and Data Agreements

Segment and Field Level Identifier – 016 Message				Rpt	Optionality	Description / Purpose and composition instructions	Validation
						correspondence with the customer. When providing a notification address Suppliers must provide either a Street Type Address or a PO Box Type Address but not both.	
3	SEG	Street Type Address		1	See instructions	Street type address provides details such as Street Name, House no etc. This segment is mandatory where a street type address is being provided as part of Notification Address.	No individual validation at Segment level.
4	FLD	C/O Name		1	Optional	This is the name to which correspondence can be addressed where this is different to the customer name.	No individual validation of this field.
4	FLD	Unit No.		1	Optional	This field can be used to populate information relating to the unit, flat or apartment number that can be part of an address	No individual validation of this field.
4	FLD	Addr Line 1		1	Optional	This field can be used as overflow for address details that apply before the street part of an address.	No individual validation of this field.
4	FLD	Addr Line 2		1	Optional	This field can be used as overflow for address details that apply before the street part of an address.	No individual validation of this field.
4	FLD	House No.		1	Optional	This can be used to populate the number of a premises given as part of an address	No individual validation of this field.

Market Message Guide – Customer and Data Agreements

Segment and Field Level Identifier – 016 Message			Rpt	Optionality	Description / Purpose and composition instructions	Validation
4	FLD	Street	1	See Instructions	This field stores information relating to the street part of an address and must be provided if populating the street type address segment.	Message will fail validation if at least one of this field or PO Box Number is not provided for Notification Addresses.
4	FLD	Addr Line 4	1	Optional	This field can be used as overflow for address details that apply after the street part of an address.	No individual validation of this field.
4	FLD	Addr Line 5	1	Optional	This field can be used as overflow for address details that apply after the street part of an address.	No individual validation of this field.
4	FLD	Postal Code	1	Optional	<p>This is the Postal Code given as part of an address where appropriate. Ireland has implemented a Postal Code system called Eircode and where available it is recommended that these Postal Codes for Technical Contact Details are communicated in Market Messages.</p> <p>They should conform to the Eircode structure A65F4E2 (there is one allowable exception for the first three characters viz.D6W) where each Eircode is comprised of seven uppercase alpha/numeric characters.</p>	No individual validation of this field.

Market Message Guide – Customer and Data Agreements

Segment and Field Level Identifier – 016 Message			Rpt	Optionality	Description / Purpose and composition instructions	Validation
4	FLD	City	1	Optional	Used to populate the details of which City an address resides in where appropriate	No individual validation of this field.
4	FLD	County - Ireland	1	Optional	A field denoting the county in Ireland in which an address resides. See the list of data codes for permissible values here.	Message will fail validation where this item is provided and does not match one of the allowed code values.
4	FLD	County / State	1	Optional	This denotes the county in which an address is situated. This field is a free text field for use in non-Irish county addresses	No individual validation of this field.
4	FLD	Country	1	See Instructions	A field that makes up part of an address denoting in which country the address resides. This item must be provided if a Notification (Street Type) Address is provided. See the list of data codes for a valid list of codes here.	Message will fail validation if this item is omitted or does not match one of the valid codes where the segment is provided.
3	SEG	P.O. Box Type Address	1	See instructions	This segment allows a PO Box address to be stored as part of a notification address. This segment must be populated if a PO Box address is being provided for a customer at Change of Legal Entity.	No individual validation of this field.
4	FLD	PO Box Number	1	See instructions	This number denotes the number given to a PO Box address and is a mandatory field if a PO Box address is provided or changed for a customer. At least one of this field or Street must be provided for Notification Addresses.	Message will fail validation if at least one of this field or Street are not provided for Notification Addresses.

Market Message Guide – Customer and Data Agreements

Segment and Field Level Identifier – 016 Message			Rpt	Optionality	Description / Purpose and composition instructions	Validation
4	FLD	Postal Code	1	Optional	<p>This is the Postal Code given as part of an address where appropriate. Ireland has implemented a Postal Code system called Eircode and where available it is recommended that these Postal Codes for Technical Contact Details are communicated in Market Messages.</p> <p>They should conform to the Eircode structure A65F4E2 (there is one allowable exception for the first three characters viz.D6W) where each Eircode is comprised of seven uppercase alpha/numeric characters.</p>	No individual validation of this field.
4	FLD	City	1	Optional	Used to populate the details of which City an address resides in where appropriate	No individual validation of this field.
4	FLD	Country	1	See instructions	A field that makes up part of an address denoting in which Country the address resides. This field is mandatory if a PO Box address is provided for a customer. See list of data codes for valid entries here.	Message will fail validation if this item is omitted or does not match one of the valid codes where the segment is provided.
2	FLD	Supplier ID	1	Mandatory	The Supplier to whom the Meter Point is registered. This must be populated on a 016 message.	The Supplier ID must be a valid ID that identifies the Supplier as the registered Supplier for that Meter Point. An 116R is

Market Message Guide – Customer and Data Agreements

Segment and Field Level Identifier – 016 Message			Rpt	Optionality	Description / Purpose and composition instructions	Validation
						generated if Supplier is not valid or if the Supplier is not registered to the MPRN.
2	FLD	Change of Usage Type	1	Optional	<p>Change of Usage Type is a code provided by the Supplier to indicate a change of usage from Domestic to Commercial or vice versa. This code is only required where Suppliers wish to notify a change. Code - 01 Commercial 02 Residential</p> <p>Validation ensures only codes relevant to ROI are provided and invalid codes are rejected</p>	<p>Message will fail validation where this code is populated and is not set to either 01 – Commercial or 02 – Residential.</p> <ul style="list-style-type: none"> • Changes from 01 to 02 are out-sorted and checked before updating • Changes from 02 to 01 are updated automatically. <p>Validation ensures only codes relevant to ROI are provided and invalid codes are rejected</p>
2	FLD	Economic Activity Indicator	1	Optional	<p>Economic Activity Indicator is a code indicating the type of activity undertaken by the customer in the premises. This item is only required where Suppliers are notifying changes to this code as part of the Change of Legal Entity. See list of data codes for valid list of codes for this item.</p>	<p>Message will fail validation if this field does not match one of the allowed values. See valid list of data codes for valid entries.</p>
2	FLD	Contact Name	1	See instructions	<p>This is the name of a person available for contacting for technical purposes. This field must be populated where Suppliers are creating new technical contact details for a Meter Point at COLE.</p>	<p>No individual validation of this field.</p>

Market Message Guide – Customer and Data Agreements

Segment and Field Level Identifier – 016 Message			Rpt	Optionality	Description / Purpose and composition instructions	Validation
2	SEG	Technical Contact Details	1	See instructions	This segment refers to the technical contact phone numbers for a technical representative. This segment must be populated where Suppliers are creating new technical contact details for an MPRN at COLE.	No individual validation of this segment.
2	FLD	Company Authorised Officer		See instructions	This is a person authorised by a company to sign connection agreements. This item must be sent if the message includes a Change of Legal Entity and involves a company / organisation moving into the premises and it is known by the Supplier.	No individual validation of this segment
3	FLD	Phone number 1	1	See instructions	This is the principal phone number of a technical contact and must be populated if known by Supplier.	No individual validation of this field.
3	FLD	Phone Ext1	1	Optional	This is the principal phone number overflow field for storing number extensions where applicable	No individual validation of this field.
3	FLD	Phone number 2	1	Optional	This field can be used for the secondary phone number where this is required.	No individual validation of this field.
3	FLD	Phone Ext2	1	Optional	This is the secondary phone number overflow field for storing number extensions where applicable.	No individual validation of this field.

Market Message Guide – Customer and Data Agreements

Segment and Field Level Identifier – 016 Message			Rpt	Optionality	Description / Purpose and composition instructions	Validation
3	FLD	Fax	1	Optional	This field is intended to store a Fax telephone number where applicable	No individual validation of this field
3	FLD	Fax Ext	1	Optional	This field is intended to store a Fax extension telephone number where applicable	No individual validation of this field.
3	FLD	Email	1	Optional	This field is intended to store electronic mail address details where applicable	<p>Message will fail validation if email is not structured to the following rules:</p> <ul style="list-style-type: none"> • A mail address may contain the character @ only once • There must not be a full-stop at the beginning • There must not be a full-stop immediately before the character @ • There must not be a full-stop immediately after the character @ • There must not be a full-stop at the end of the address • There must not be two subsequent full-stops in the address • There must be no blank character in the address <p>Where an invalid email address is received, the message in its entirety will be rejected via MM116R with Reject Reason EMA</p>

Market Message Guide – Customer and Data Agreements

Segment and Field Level Identifier – 016 Message			Rpt	Optionality	Description / Purpose and composition instructions	Validation
2	SEG	Street Type Address (Technical)	1	See instructions	Street type address provides details such as Street Name, House no etc. This segment is mandatory where a street type address is being provided as part of Technical Contact details.	No individual validation at segment level.
3	FLD	C/O Name	1	Optional	This is the name to which correspondence can be addressed where this is different to the contact name.	No individual validation of this field.
3	FLD	Unit No.	1	Optional	This field can be used to populate information relating to the unit, flat or apartment number that can be part of an address	No individual validation of this field.
3	FLD	Addr Line 1	1	Optional	This field can be used as overflow for address details that apply before the street part of an address.	No individual validation of this field.
3	FLD	Addr Line 2	1	Optional	This field can be used as overflow for address details that apply before the street part of an address.	No individual validation of this field.
3	FLD	House No.	1	Optional	This can be used to populate the number of a premises given as part of an address	No individual validation of this field.
3	FLD	Street	1	Mandatory	This field stores information relating to the street part of an address and must be populated where the segment is provided.	No individual validation of this field.

Market Message Guide – Customer and Data Agreements

Segment and Field Level Identifier – 016 Message			Rpt	Optionality	Description / Purpose and composition instructions	Validation
3	FLD	Addr Line 4	1	Optional	This field can be used as overflow for address details that apply after the street part of an address.	No individual validation of this field.
3	FLD	Addr Line 5	1	Optional	This field can be used as overflow for address details that apply after the street part of an address.	No individual validation of this field.
3	FLD	Postal Code	1	Optional	<p>This is the Postal Code given as part of an address where appropriate. Ireland has implemented a Postal Code system called Eircode and where available it is recommended that these Postal Codes for Technical Contact Details are communicated in Market Messages.</p> <p>They should conform to the Eircode structure A65F4E2 (there is one allowable exception for the first three characters viz.D6W) where each Eircode is comprised of seven uppercase alpha/numeric characters.</p>	No individual validation of this field.
3	FLD	City	1	Optional	Used to populate the details of which City an address resides in where appropriate	No individual validation of this field.

Market Message Guide – Customer and Data Agreements

Segment and Field Level Identifier – 016 Message			Rpt	Optionality	Description / Purpose and composition instructions	Validation
3	FLD	County - Ireland	1	See instructions	A field denoting the county in Ireland in which an address resides. See the list of data codes for permissible values here. This field must be provided if the Technical Contact Address is in Ireland.	This item must match one of the allowed code values where this item is populated. See Data codes for allowed list of Irish Counties.
3	FLD	County / State	1	Optional	This denotes the county in which an address is situated. This is an optional field used where the Technical Contact address is not in Ireland, where required.	No individual validation of this field.
3	FLD	Country	1	See instructions	A field that makes up part of an address denoting in which country the address resides. This field must be populated if a Technical Address is provided. See the list of data codes for permissible values here.	Message will fail validation if this item is omitted or does not match one of the valid codes where the segment is provided.
2	FLD	Medical Equipment Special Needs Details	1	See instructions	A code indicating the type of medical equipment special needs that a customer has. This item must be provided by Suppliers where known at COLE. The following are valid codes for this message: 0003 Life Support 0004 Non Life Support 0005 Medical Institution	Message will fail validation where this item is populated and does not match one of the following values: 0003 Life Support 0004 Non Life Support 0005 Medical Institution Validation ensures only codes relevant to ROI are provided and invalid codes are rejected

Market Message Guide – Customer and Data Agreements

Segment and Field Level Identifier – 016 Message		Rpt	Optionality	Description / Purpose and composition instructions	Validation	
				Validation ensures only codes relevant to ROI are provided and invalid codes are rejected		
2	FLD	Display on Extranet	1	See Instructions	A Boolean message flag to indicate whether the Priority Services Register code(s) for the MPRN should be displayed on the ROI MP Extranet and the dom\$_CUST Downloadable Meter Point Details File This field should be populated if either Medical Equipment Special Needs codes 0003 or 0004 are notified on this message and this flag should be 'Y' or 'N'.	MRSO will store updates if provided
2	SEG	Customer Service Special Needs	0..N	Optional	Add new segment to carry one or more Customer Special Needs Codes	
3	FLD	Customer Service Details Code	1..N	Mandatory	<p>A code or set of codes indicating the type of special customer service need(s) that a customer has.</p> <p>If the customer has special customer service needs then the relevant code or codes should be selected from the following:</p> <ul style="list-style-type: none"> • 0001 Visually Impaired • 0002 Speech Impaired • 0003 Hearing Impaired • 0004 Elderly 	<p>One or more customer special needs codes as provided by the Supplier will be validated against the permitted list (see below). If the message is fully valid, then a 116 market message will issue but will not specifically list the code or codes provided (as today for a single code). If any of the codes provided is invalid, then a 116R market message will issue with a single Reject Reason Code of DIJ.</p> <p>Validation ensures only codes relevant to ROI are provided and invalid codes are rejected New code 0010 Other is included in the</p>

Market Message Guide – Customer and Data Agreements

Segment and Field Level Identifier – 016 Message			Rpt	Optionality	Description / Purpose and composition instructions	Validation
					<ul style="list-style-type: none"> • 0005 Language Difficulty • 0006 Learning Difficulty • 0007 Mobility Impaired • 0008 Dexterity Impaired • 0009 Mental Health • 0010 Other <p>New code 0010 Other is included in the schema but should not be selected by Market Participants.</p> <p>Validation ensures only codes relevant to ROI are provided and invalid codes are rejected</p>	<p>schema but should not be selected by Market Participants.</p> <p>Where the code 0010 Other is submitted on an 016, the message, in its entirety, will be rejected using the 116R , with the Reject Reason Code IID.</p> <p>0001 Visually Impaired</p> <p>0002 Speech Impaired</p> <p>0003 Hearing Impaired</p> <p>0004 Elderly</p> <p>0005 Language Difficulty</p> <p>0006 Learning Difficulty</p> <p>0007 Mobility Impaired</p> <p>0008 Dexterity Impaired</p> <p>0009 Mental Health</p> <p>0010 Other</p>

Market Message Guide – Customer and Data Agreements

Segment and Field Level Identifier – 016 Message			Rpt	Optionality	Description / Purpose and composition instructions	Validation
						Validation ensures only codes relevant to ROI are provided and invalid codes are rejected
2	SEG	Smart Data Services	0..1	Optional	This segment contains the Interval and Non Interval Smart Data Services applicable to a Smart Meter	<p>This segment is only valid where a Smart Meter is present otherwise message in its entirety will be rejected on 116R with Reject Reason Code NSM</p> <p>Once there are Smart Data Service this segment must be present otherwise the message will be rejected in its entirety on 116R with Reject Reason Code SCI</p>
3	FLD	Smart Data Services Code	1	Mandatory	<p>This field is populated where a Smart Data Service Code is being requested</p> <p>The valid codes are : 01 - Interval Services 02 - Non Interval Services</p>	<p>Where the Smart Data Service field is populated - this message will fail validation if :</p> <p>The Smart Data Service Code is populated and a smart meter isn't present a 116R will issue with Reject Reason Code NSM</p> <p>The Smart Data Services Code value requested is not supported by the CTF value i.e.</p> <p>If the value of the Smart Data Services Code field is 01 then CTF must be 03 or 04</p> <p>If the value of the Smart Data Services Code field is 02 then CTF must be 01,02,03 or 04</p>

Market Message Guide – Customer and Data Agreements

Segment and Field Level Identifier – 016 Message			Rpt	Optionality	Description / Purpose and composition instructions	Validation						
						Otherwise a 116R will issue with Reject Reason Code SCI						
3	FLD	Meter Configuration Code (Required)	1	Mandatory	The Meter Configuration Code (Required) is a code on a message from the supplier to indicate the functionality required by the Supplier to be delivered by the combination of registers physically installed at a meter point. It does not describe the technical attributes of the meter(s).	<p>Message will fail validation and 116R will issue with Reject Reason Code SCI where:</p> <p>The required MCC does not correspond with the relevant Smart Data Services Field</p> <p>or</p> <p>The MCC specified is a Legacy MCC</p> <p>Allowable Combinations:</p> <table border="1"> <tr> <td>Smart Data Services Code</td> <td>Required MCC</td> </tr> <tr> <td>Interval Data Service (01)</td> <td>MCC12</td> </tr> <tr> <td>Non Interval Data Service(02)</td> <td>MCC16</td> </tr> </table> <p>Message will fail validation and 116R will issue with Reject Reason Code IMF where:</p>	Smart Data Services Code	Required MCC	Interval Data Service (01)	MCC12	Non Interval Data Service(02)	MCC16
Smart Data Services Code	Required MCC											
Interval Data Service (01)	MCC12											
Non Interval Data Service(02)	MCC16											

Market Message Guide – Customer and Data Agreements

Segment and Field Level Identifier – 016 Message			Rpt	Optionality	Description / Purpose and composition instructions	Validation
						<p>New MCC's 13 ,14, 15, 17,18,19,20 are included in the schema but should not be selected by Market Participants</p> <p>Where any of the MCC's 13 ,14, 15, 17,18,19,20 are submitted on an 016, the message, in its entirety, will be rejected using the 116R , with the Reject Reason Code IMF</p>
2	SEG	Party Contact Details		1	Optional	<p>This segment allows Suppliers to forward their Contact Details in case of queries with the Change of Legal Entity request.</p> <p>No individual validation of this segment.</p>
	3	FLD	Phone number 1	1	See instructions	<p>This is the principal phone number of a contact and must be populated if Suppliers are providing Party Contact details.</p> <p>No individual validation of this field.</p>
	3	FLD	Phone Ext1	1	Optional	<p>This is the principal phone number overflow field for storing number extensions where applicable</p> <p>No individual validation of this field.</p>
	3	FLD	Phone number 2	1	Optional	<p>This field can be used for the secondary phone number where this is required.</p> <p>No individual validation of this field.</p>
	3	FLD	Phone Ext2	1	Optional	<p>This is the secondary phone number overflow field for storing number extensions where applicable.</p> <p>No individual validation of this field.</p>
	3	FLD	Fax	1	Optional	<p>This field is intended to store a Fax telephone number where applicable</p> <p>No individual validation of this field.</p>

Market Message Guide – Customer and Data Agreements

Segment and Field Level Identifier – 016 Message			Rpt	Optionality	Description / Purpose and composition instructions	Validation
3	FLD	Fax Ext	1	Optional	This field is intended to store a Fax extension telephone number where applicable	No individual validation of this field.
3	FLD	Email	1	Optional	This field is intended to store electronic mail address details where applicable	No individual validation of this field.
2	FLD	Supply Agreement Flag	1	Mandatory	Supply Agreement is a Boolean True / False flag that denotes the existence of a supply agreement with a customer. This should always be set to 1 i.e. a logical value of True on this message.	Message will fail validation if this item is not populated.
2	FLD	Meter Reader Password	1	Optional	Not used in ROI	No validation on this field
2	FLD	Required Date	1	Optional	Required Date is the date on which the Change of Legal Entity is required to become effective. If this item is omitted from the message the Change of Legal Entity will be assumed to be effective on receipt of the message. This date may be the date of the reading where this is provided.	<p>Where a future date is populated here Networks will not process the Change of Legal Entity until the required date is reached.</p> <ul style="list-style-type: none"> • For Non Interval Metering less than 30Kva where a retrospective required date has been provided and if DUOS billing has occurred between current and required date, required date is ignored and the current date is used. • For Non Interval Metering more than 30Kva and Interval Metering the COLE is always carried out for the specified required date. For Maximum Demand metering COLE is date = to last Networks actual read.

Market Message Guide – Customer and Data Agreements

Segment and Field Level Identifier – 016 Message			Rpt	Optionality	Description / Purpose and composition instructions	Validation
						<ul style="list-style-type: none"> For Smart Interval Metering this field is mandatory
2	FLD	Read Reason	1	Optional	This is the reason for provision of the read. This should always be set to code value 27 – Change of Legal Entity where provided.	Message will fail validation if a valid read reason is not populated here. Should be set to COLE (27 only).
2	SEG	Meter ID (Meter level information)	0..N	Optional	This is the segment that holds information relating to the meters held at a Meter point and is only required to be provided where Suppliers are including Meter Readings at Change of Legal Entity.	Meter ID is checked to see if it is valid for the MPRN provided – if validation fails reading information provided on the message is ignored. The message is not rejected and the COLE is still processed (with a Networks estimated reading).
3	FLD	Meter Category	1	See Instructions	Meter Category is a code allocated by Meter Asset Manager to denote the manufacturer and type of meter. When combined with Serial Number it uniquely identifies device.	See validation notes above. (No individual validation of this field.)
3	FLD	Serial Number	1	See Instructions	Serial No is the physical number found on a Meter. When combined with Meter Category it uniquely identifies device. This item is required where readings are being provided and there is more than one meter installed at a meter point.	If provided the last four characters of the serial number(s) will be matched to the serial number recorded by DSO for the meter point. If a match cannot be found the reading information provided on the message is ignored. The message is not rejected and the COLE is still processed (with a Networks estimated reading).
3	SEG	Register Level Information	0..N	Optional	This segment will only need to be provided if Supplier is providing readings at Change of Legal Entity.	Cardinality of this segment is 0..N – so no instance need be provided. This segment only

Market Message Guide – Customer and Data Agreements

Segment and Field Level Identifier – 016 Message				Rpt	Optionality	Description / Purpose and composition instructions	Validation					
							<p>need be provided where the Supplier is providing a reading.</p> <p>N: B at least one of the following 3 fields must be populated for the read to be accepted; Meter Register Sequence, Timeslot, Register Type.</p>					
4	FLD	Meter Register Sequence	1	See instructions	<p>Meter Register Sequence is an identifier to distinguish between different meter registers on a physical meter or set of meters. The Meter Register Sequence must be provided if neither Timeslot nor Register Type can be provided.</p>	Where populated this item is checked for valid type for the installation.						
4	FLD	Timeslot	1	See instructions	<p>Timeslot is a code that indicates the period that a meter is recording electricity. A timeslot will be associated with a series of interval periods. The following are valid codes for timeslot:</p> <p>The Timeslot may be provided if neither Meter Register Sequence nor Register Type can be provided.</p> <table border="1" data-bbox="952 1117 1478 1300"> <tr> <td>24H</td> <td>24 Hour Consumption</td> </tr> <tr> <td>D00</td> <td>Day Consumption 8am-11pm</td> </tr> <tr> <td>M24</td> <td>MD 24Hour</td> </tr> </table>	24H	24 Hour Consumption	D00	Day Consumption 8am-11pm	M24	MD 24Hour	<p>Where populated this item must be a valid code and is checked for valid type for the installation</p> <p>Validation ensures only codes relevant to ROI are provided and invalid codes are rejected.</p>
24H	24 Hour Consumption											
D00	Day Consumption 8am-11pm											
M24	MD 24Hour											

Market Message Guide – Customer and Data Agreements

Segment and Field Level Identifier – 016 Message			Rpt	Optionality	Description / Purpose and composition instructions	Validation
					<p>N00 Night Consumption 11pm-8am</p> <p>P00 MD Peak 5pm-7pm</p> <p>01D 08-17 and 19-23 Day consumption</p> <p>01N 23-08 Night consumption</p> <p>01P 17-19 Peak consumption</p> <p>Validation ensures only codes relevant to ROI are provided and invalid codes are rejected</p>	
4	FLD	Reading	1	Mandatory	This should be the reading recorded on the meter register identified by the Serial Number and Meter Register Sequence, Timeslot or Register Type data provided.	Provided the COLE or readings are not rejected, the Data Processor will validate the readings according to the rules specified in MPD14.
4	FLD	Read Type	1	Mandatory	<p>Read Type should be set to the following on this message:</p> <p>SC Supplier Provided Customer Reading</p>	Must correspond to given data codes. No other validation of this field.
4	FLD	Register Type	1	See instructions	Register Type is a code that indicate the purpose of the register. The Register Type should be provided if Meter Register	Where populated this item must be a valid code and is checked for valid type for the installation.

Market Message Guide – Customer and Data Agreements

Segment and Field Level Identifier – 016 Message			Rpt	Optionality	Description / Purpose and composition instructions	Validation
					<p>Sequence is not provided or if Timeslot is not known or unique.</p> <p>See the list of data codes for valid entries for Register Type.</p> <p>Validation ensures only codes relevant to ROI are provided and invalid codes are rejected</p>	Validation ensures only codes relevant to ROI are provided and invalid codes are rejected
2	FLD	Market Participant Business Reference	1	Mandatory	This is the Suppliers number given as reference in the request. This will be used in future contact with Suppliers to reference the request where necessary.	Message will fail validation where this field is not populated.

2.5 116 Change of Legal Entity Confirmation

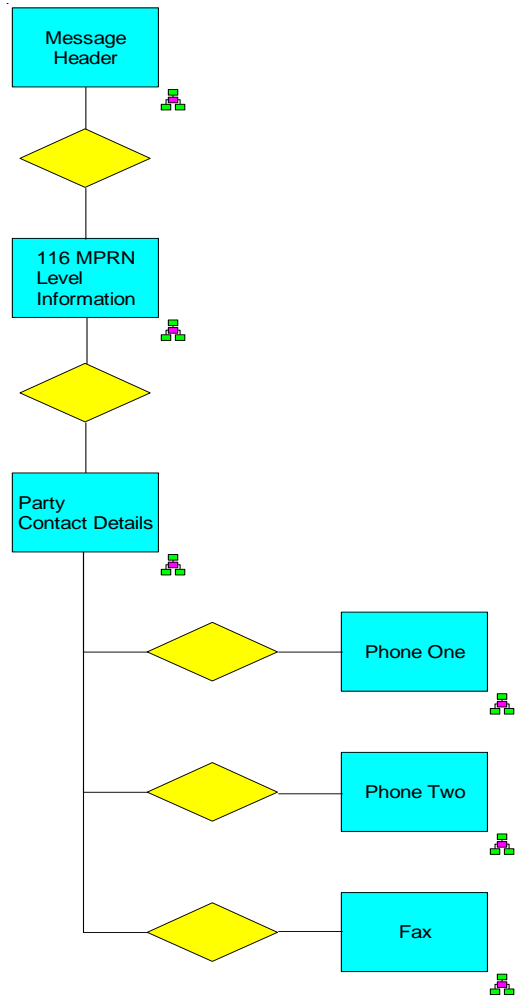
Purpose / Description of Message

The 116 Change of Legal Entity Confirmation message is sent by the ESB Networks business to Market registered Supplier to confirm that Networks have carried out the Change of Legal Entity at the Meter point as requested by the Supplier.

Market Message Guide – Customer and Data Agreements

- For meter points of less than 100kVA this will be upon completion of move in of the new Customer and issue of deemed Connection Agreement.
- For meter points of more than 100kVA this will be upon completion of move in of the new Customer and receipt of a signed Connection Agreement from the customer.

Data Hierarchy Diagram



Market Message Guide – Customer and Data Agreements

Message Structure

This section describes the structure of the 116 message. The purpose of the message segments and data items are explained and any rules for composition outlined.

Segment and Field Level Identifier – 116 Message			Rpt	Optionality	Description / Purpose and composition instructions
1 Message Header			1	Mandatory	<i>Refer to common data segments document</i>
1 Meter Point Details			1	Mandatory	
2	FLD	MPRN	1	Mandatory	The unique identifying reference number for the Meter Point that the customer has taken over. All elements of MPRN will be provided.
2	FLD	Supplier ID	1	Mandatory	The Supplier, to whom the Meter Point is registered, populated here for reference purposes.
2	SEG	Party Contact Details	1	Optional	Party Contact Details provides details such as contact name, organisation and department, telephone, e-mail and/or fax details enabling the Market participant to be contacted. This allows Networks to forward their contact details in case of queries with the Change of Legal Entity confirmation.
3	FLD	Phone number 1	1	See instructions	This is the principal phone number of a contact and will be populated if this segment is provided.
3	FLD	Phone Ext1	1	See instructions	This is the principal phone number overflow field for storing number extensions where applicable
3	FLD	Phone number 2	1	Optional	This field can be used for the secondary phone number where this is required.

Market Message Guide – Customer and Data Agreements

Segment and Field Level Identifier – 116 Message			Rpt	Optionality	Description / Purpose and composition instructions
3	FLD	Phone Ext2	1	Optional	This is the secondary phone number overflow field for storing number extensions where applicable.
3	FLD	Fax	1	Optional	This field is intended to store a Fax telephone number where applicable
3	FLD	Fax Ext	1	Optional	This field is intended to store a Fax extension telephone number where applicable
3	FLD	Email	1	Optional	This field is intended to store electronic mail address details where applicable
2	FLD	Effective from Date	1	Mandatory	Effective From Date is a date that indicates the date from which the Change of Legal Entity became effective in Networks System.
2	FLD	Market Participant Business Reference	1	Mandatory	This is the Suppliers reference originally provided on the 016. This is provided to allow Suppliers to track which original request is being confirmed.
2	FLD	DUOS Group	1	Mandatory	DUOS Group is a code which relates to the use of system tariff applying to the MPRN. This value will reflect what is held on the Networks system and may have changed as a result of a Change to usage type notified by Supplier on the 016. See list of data codes for valid values here.
2	FLD	Economic Activity Indicator	1	Optional	Economic Activity Indicator is a code indicating the type of activity undertaken by the customer in the premises. This value will reflect what is held by Networks system and may have changed as a result of the code provided on the 016

2.6 116R Change of Legal Entity Rejection

Purpose / Description of Message

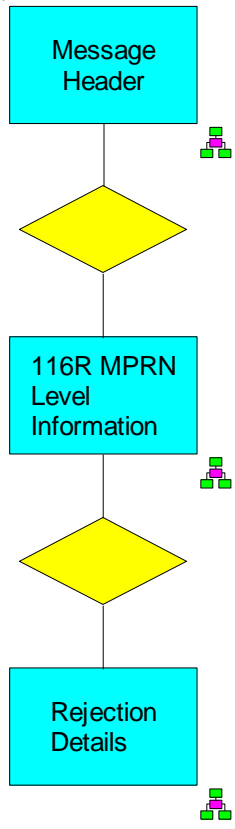
The 116R Change of Legal Entity rejection message is sent by the ESB Networks business to the Supplier to reject a request for a Change of Legal Entity at a Metered location sent on a 016 message. A Change of Legal Entity request can be rejected for the following reasons:

- MPRN is not valid for the required date
- Supplier is not registered to the MPRN
- An open Meter Works service order exists for the MPRN (Excluding specified Networks initiated work orders e.g. planned meter replacement)
- An open Meter Works service order exists for a change to the Smart Data Services
- MPRN contains Maximum Demand metering and the last read recorded by Networks is not of read type Actual read
- Where a 016 is received for a future date and a subsequent valid Change of Legal Entity request is received, the original will be cancelled using 116R.
- Incorrect/invalid data on the 016
- Where the CustomerServiceDetailsCode 0010 Other is submitted on an 016, the message, in its entirety, will be rejected using the 116R, with the Reject Reason Code IID.
- To reject 016 messages received where Meter Point Status is not energised (i.e., where the Meter Point Status is 'D' or 'DR'). The message, in its entirety, will be rejected using 116R, with Reject Reason Code IMS
- Where invalid Smart Data Services are requested by a Supplier on an 016, the message, in its entirety, will be rejected using the 116R, with the Reject Reason Code SCI.
- Where a Smart Meter isn't present and Smart Data Services are requested by a Supplier on an 016, the message, in its entirety, will be rejected using the 116R, with the Reject Reason Code NSM.

Market Message Guide – Customer and Data Agreements

- Where any of the MCC's 13 ,14, 15, 17,18,19,20 included in the schema are submitted on an 016, the message, in its entirety, will be rejected using the 116R, with the Reject Reason Code IMF
- Interval Smart Data Services requested by Supplier cannot be carried out remotely, with the Reject Reason Code RCF
- Where there is an open Change of Supplier transaction for the MPRN, the message in its entirety will be rejected if there are proposed changes to Smart Data Services with Reject Reason Code CIP.
- Where an invalid email address is received on an 016, the message in its entirety will be rejected using 116R, with Reject Reason Code EMA.
- For a Smart Meter where a Re-Energisation with a CoLE was requested and the Re-Energisation could not be carried out, the CoLE will be rejected using 116R, with the Reject Reason Code RCF.
- For a Smart Meter where 017W is sent to cancel a Re-Energisation with CoLE, the CoLE will be rejected using 116R with Reject Reason Code MWO (Meter Works Order).

Data Hierarchy Diagram



Market Message Guide – Customer and Data Agreements

Message Structure

This section describes the structure of the 116R message. The purpose of the message segments and data items are explained and any rules for composition outlined.

Segment and Field Level Identifier – 116R Message			Rpt	Optionality	Description / Purpose and composition instructions
1 Message Header			1	Mandatory	<i>Refer to common data segments document</i>
1 Meter Point Details			1	Mandatory	
2	FLD	MPRN	1	Mandatory	The unique identifying reference number for the Meter Point that the customer has taken over. All elements of MPRN will be provided.
2	SEG	Rejection Details	1.N	Mandatory	<p>This segment provides the details of why the 016 was rejected. One Reject Reason segment will be provided for each rejection reason provided.</p> <p>Where the CustomerServiceDetailsCode 0010 Other is submitted on an 016, the message, in its entirety, will be rejected with the Reject Reason Code IID.</p> <p>Where invalid Smart Data Services are requested by a Supplier on an 016, the message, in its entirety, will be rejected using the 116R, with the Reject Reason Code SCI.</p> <p>Where a Smart Meter isn't present and Smart Data Services are requested by a Supplier on an 016, the message, in its entirety, will be rejected using the 116R, with the Reject Reason Code NSM.</p> <p>Where there is an open Change of Supplier transaction for the MPRN, the message in its entirety will be rejected if there are proposed changes to Smart Data Services with Reject Reason Code CIP.</p> <p>Where Meter Point Status is not energised (i.e., where the Meter Point Status is 'D' or 'DR'), the message, in its entirety, will be rejected using 116R, with Reject Reason Code IMS</p>

Market Message Guide – Customer and Data Agreements

Segment and Field Level Identifier – 116R Message			Rpt	Optionality	Description / Purpose and composition instructions
					<p>Where invalid email address is received on an 016, the message in its entirety, will be rejected using the 116R, with the Reject Reason Code EMA</p> <p>Where CoLE from Interval Data to Interval Data has a date >24 months in the past, the message in its entirety, will be rejected using 116R, with Reject Reason Code IDT</p> <p>Where any of the MCC's 13 ,14, 15, 17,18,19,20 included in the schema are submitted on an 016, the message, in its entirety, will be rejected using the 116R, with the Reject Reason Code IMF</p>
3	FLD	Reject Reason	1	Mandatory	<p>Reject Reason is a code to identify why data was rejected. Valid reject reasons for this message are:</p> <p>IMP - Invalid MPRN (MPRN does not exist or is for a Grouped Un-metered site) or the MPRN is not valid for this jurisdiction.</p> <p>SNR -Supplier Not registered to MPRN</p> <p>IRT - Invalid read type</p> <p>MWO - Open Meter Works Order</p> <p>IDT - Invalid date or time</p> <p>IID - Invalid / incomplete data</p> <p>DIJ - data invalid for jurisdiction (Valid until market schema is changed)</p> <p>IA – Invalid Action</p> <p>SCI – Smart Configuration Invalid</p> <p>IMF - Invalid Meter Configuration code</p> <p>RCF – Remote Change Failed</p> <p>NSM – No Smart Meter</p> <p>CIP- CoS in Progress</p> <p>EMA - Invalid email address</p> <p>IMS – Invalid MPRN status</p>

Market Message Guide – Customer and Data Agreements

Segment and Field Level Identifier – 116R Message			Rpt	Optionality	Description / Purpose and composition instructions
2	FLD	Market Participant Business Reference	1	Mandatory	This is the Suppliers reference originally provided on the 016. This is provided to allow Suppliers to track which original request is being rejected.

2.7 116N Change of Legal Entity Notification to a Supplier with a pending Registration

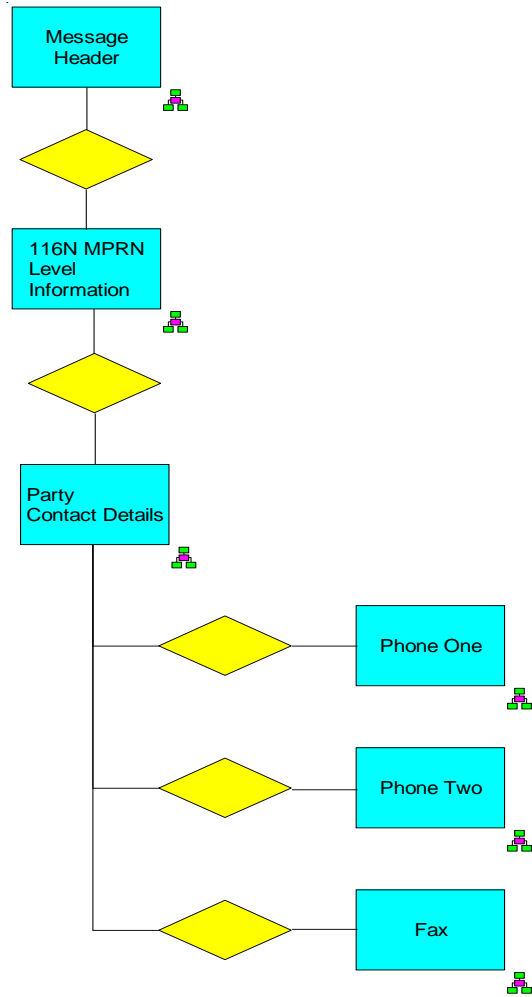
Purpose / Description of Message

The 116N message is sent to a Supplier with a pending Registration (New Supplier) when a Change of Supplier is in process and a 016 Change of Legal Entity request is received from the current Supplier (Old Supplier) for that Meter point.

The 116N message ensures that the Supplier who is applying to take over Supply of electricity at the meter point is aware that a Change of Legal Entity has occurred so that they can ensure they have a supply agreement in place with the correct Customer or cancel the Change of Supplier if necessary.

- Trigger of the 116N message is dependent on the successful processing of the inbound 016 Change of Legal Entity message and the presence of an active Change of Supplier for the Meter Point.

Data Hierarchy Diagram



Market Message Guide – Customer and Data Agreements

Message Structure

This section describes the structure of the 116N message. The purpose of the message segments and data items are explained and any rules for composition outlined.

Segment and Field Level Identifier – 116N Message			Rpt	Optionality	Description / Purpose and composition instructions
1 Message Header			1	Mandatory	<i>Refer to common data segments document</i>
1 Meter Point Details			1	Mandatory	
2	FLD	MPRN	1	Mandatory	The unique identifying reference number for the Meter Point that the customer has taken over. All elements of MPRN will be provided.
2	FLD	Supplier ID	1	Mandatory	This will be the Supplier ID that has registered a Change of Supplier for the Meter Point and is also the receiver of the 116N message.
2	SEG	Party Contact Details	1	Optional	Party Contact Details provides details such as contact name, organisation and department, telephone, e-mail and/or fax details enabling the Market participant to be contacted. This allows Networks to forward their contact details in case of queries with the Change of Legal Entity notification.
3	FLD	Phone number 1	1	See instructions	This is the principal phone number of a contact and will be populated if the segment is provided.
3	FLD	Phone Ext1	1	See instructions	This is the principal phone number overflow field for storing number extensions where applicable
3	FLD	Phone number 2	1	Optional	This field can be used for the secondary phone number where this is required.
3	FLD	Phone Ext2	1	Optional	This is the secondary phone number overflow field for storing number extensions where applicable.

Market Message Guide – Customer and Data Agreements

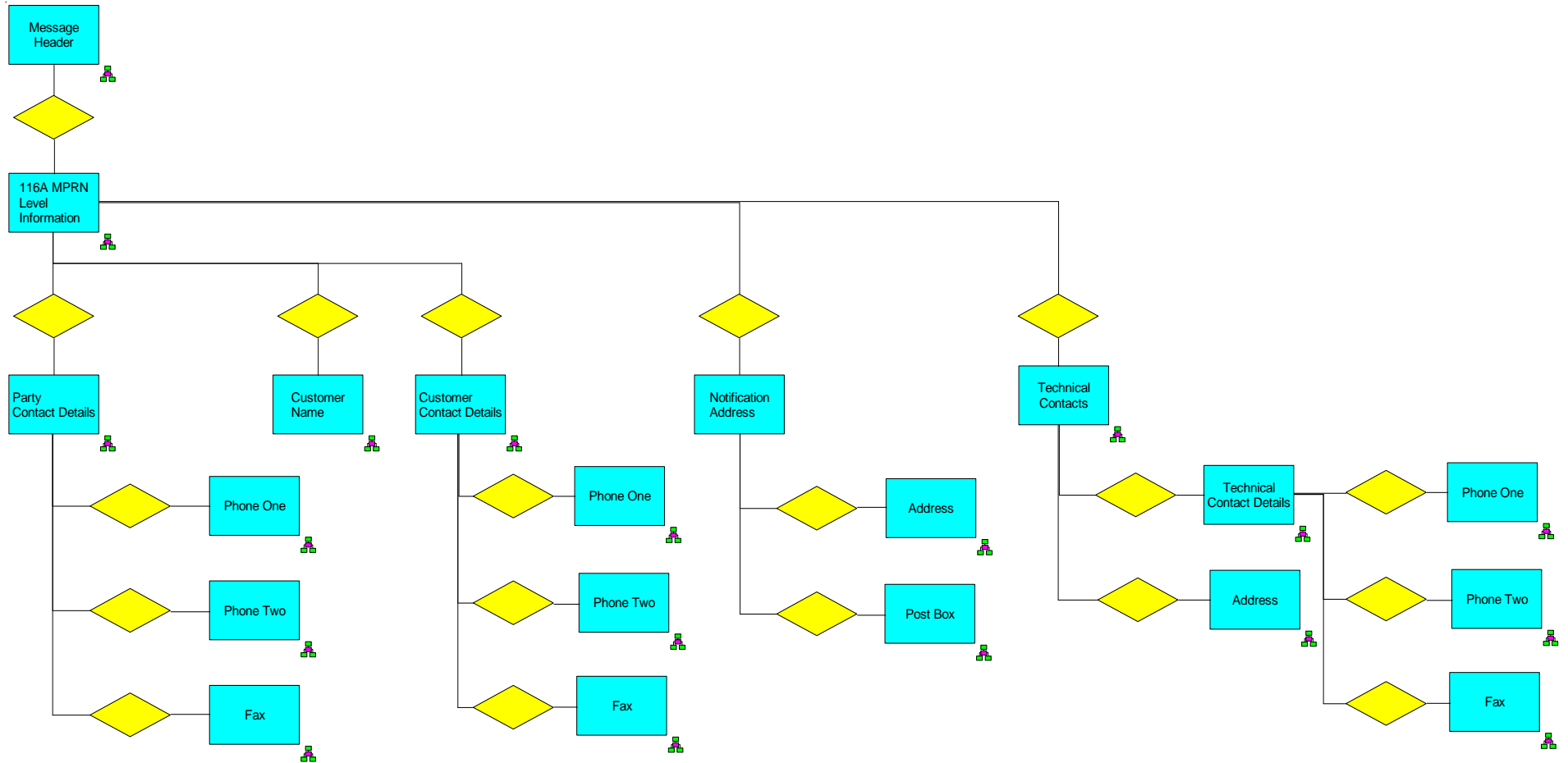
Segment and Field Level Identifier – 116N Message			Rpt	Optionality	Description / Purpose and composition instructions
3	FLD	Fax	1	Optional	This field is intended to store a Fax telephone number where applicable
3	FLD	Fax Ext	1	Optional	This field is intended to store a Fax extension telephone number where applicable
3	FLD	Email	1	Optional	This field is intended to store electronic mail address details where applicable
2	FLD	Effective from Date	1	Mandatory	Effective From Date is a date that indicates the date from which the Change of Legal Entity is being requested by the Supplier currently registered to the Meter Point.
2	FLD	DUOS Group	1	Mandatory	DUOS Group is a code which relates to the use of system tariff applying to the MPRN. This will be the value currently held by Networks for the Meter Point (Prior to completion of the CoLE) and is provided for information here. See the list of data codes for valid values for DUoS Group.
2	FLD	Economic Activity Indicator	1	Optional	Economic Activity Indicator is a code indicating the type of activity undertaken by the customer in the premises. This will be the value currently held by Networks for the Meter Point (Prior to completion of the CoLE) and is provided for information here.

2.8 116A Change of Legal Entity TSO confirmation –QH sites

Purpose / Description of Message

The 116A message is sent to the TSO to provide confirmation that a change of Legal entity has taken place at an QH Meter point only.

Data Hierarchy Diagram



Market Message Guide – Customer and Data Agreements

Message Structure

This section describes the structure of the 116A message. The purpose of the message segments and data items are explained and any rules for composition outlined.

Segment and Field Level Identifier – 116A Message			Rpt	Optionality	Description / Purpose and composition instructions
1 Message Header			1	Mandatory	<i>Refer to common data segments document</i>
1 Meter Point Details			1	Mandatory	
2	FLD	MPRN	1	Mandatory	The unique identifying reference number for the Meter Point that the customer has taken over. All elements of MPRN will be provided.
2	FLD	Supplier ID	1	Mandatory	The Supplier, to whom the Meter Point is registered, Provided for reference purposes.
2	SEG	Party Contact Details	1	Optional	Party Contact Details provides details such as contact name, organisation and department, telephone, e-mail and/or fax details enabling the Market participant to be contacted. This allows Networks to forward their contact details in case of queries with the Change of Legal Entity confirmation.
3	FLD	Phone number 1	1	See instructions	This is the principal phone number of a contact and will be populated if this segment is provided.
3	FLD	Phone Ext1	1	See instructions	This is the principal phone number overflow field for storing number extensions where applicable
3	FLD	Phone number 2	1	Optional	This field can be used for the secondary phone number where this is required.

Market Message Guide – Customer and Data Agreements

Segment and Field Level Identifier – 116A Message			Rpt	Optionality	Description / Purpose and composition instructions
3	FLD	Phone Ext2	1	Optional	This is the secondary phone number overflow field for storing number extensions where applicable.
3	FLD	Fax	1	Optional	This field is intended to store a Fax telephone number where applicable
3	FLD	Fax Ext	1	Optional	This field is intended to store a Fax extension telephone number where applicable
3	FLD	Email	1	Optional	This field is intended to store electronic mail address details where applicable
2	FLD	Effective from Date	1	Mandatory	Effective From Date is a date that indicates the date from which the Change of Legal Entity became effective in Networks System.
2	FLD	Market Participant Business Reference	1	Mandatory	This is the Suppliers reference originally provided on the 016. This is provided to allow Suppliers to track which original request is being confirmed.
2	FLD	DUOS Group	1	Mandatory	DUOS Group is a code which relates to the use of system tariff applying to the MPRN. This value will reflect what is held on the Networks system and may have changed as a result of the Change of Legal entity notified by Supplier on the 016. See list of data codes for valid values here.
2	FLD	Economic Activity Indicator	1	Optional	Economic Activity Indicator is a code indicating the type of activity undertaken by the customer in the premises. This value will reflect what is held by Networks system and may have changed as a result of the code provided on the 016.
2	SEG	Customer Name	1	Mandatory	The customer with whom the Supplier has concluded an agreement to supply electricity. Networks will populate this segment with the

Market Message Guide – Customer and Data Agreements

Segment and Field Level Identifier – 116A Message			Rpt	Optionality	Description / Purpose and composition instructions
					Customer Name details as updated by the Change of Legal entity. See Market Message Guide – Common Data Segments for full details of the fields in this segment.
2	SEG	Customer Contact Details	1	See instructions	A set of details enabling the customer to be contacted. This segment is provided where it was provided on the Suppliers 016 request. See Market Message Guide – Common Data Segments for full details of the fields in this segment.
2	SEG	Notification Address	1	See instructions	An address for correspondence with customers. This segment is provided where it was provided on the Suppliers 016 request. See Market Message Guide – Common Data Segments for full details of the fields in this segment.
2	FLD	Contact Name	1	See instructions	This is the name of a person available for contacting for technical purposes. This field will be populated where Suppliers are creating new technical contact details for a Meter Point at COLE.
2	FLD	Company Authorised Officer	1	See instructions	This is a person authorised by a company to sign connection agreements. This item must be sent if the message includes a Change of Legal Entity and involves a company / organisation moving into the premises and it is known by the Supplier.
2	SEG	Technical Contact Details	1	See instructions	This segment refers to the technical contact phone numbers for a technical representative. This segment will be populated where Suppliers are creating new technical contact details for an Interval MPRN at COLE.
3	FLD	Phone number 1	1	See instructions	This is the principal phone number of a technical contact and will be populated if known.

Market Message Guide – Customer and Data Agreements

Segment and Field Level Identifier – 116A Message		Rpt	Optionality	Description / Purpose and composition instructions	
3	FLD	Phone Ext1	1	See instructions	This is the principal phone number overflow field for storing number extensions where applicable / known.
3	FLD	Phone number 2	1	Optional	This field can be used for the secondary phone number where this is required.
3	FLD	Phone Ext2	1	Optional	This is the secondary phone number overflow field for storing number extensions where applicable.
3	FLD	Fax	1	Optional	This field is intended to store a Fax telephone number where applicable
3	FLD	Fax Ext	1	Optional	This field is intended to store a Fax extension telephone number where applicable
3	FLD	Email	1	Optional	This field is intended to store electronic mail address details where applicable
2	SEG	Street Type Address	1	See instructions	Street type address provides details such as Street Name, House no etc. This segment will be provided where a street type address is being provided as part of Technical Contact details.
3	FLD	C/O Name	1	Optional	This is the name to which correspondence can be addressed where this is different to the contact name.
3	FLD	Unit No.	1	Optional	This field can be used to populate information relating to the unit, flat or apartment number that can be part of an address
3	FLD	Addr Line 1	1	Optional	This field can be used as overflow for address details that apply before the street part of an address.

Market Message Guide – Customer and Data Agreements

Segment and Field Level Identifier – 116A Message			Rpt	Optionality	Description / Purpose and composition instructions
3	FLD	Addr Line 2	1	Optional	This field can be used as overflow for address details that apply before the street part of an address.
3	FLD	House No.	1	Optional	This can be used to populate the number of a premises given as part of an address
3	FLD	Street	1	Mandatory	This field stores information relating to the street part of an address and must be populated where the segment is provided.
3	FLD	Addr Line 4	1	Optional	This field can be used as overflow for address details that apply after the street part of an address.
3	FLD	Addr Line 5	1	Optional	This field can be used as overflow for address details that apply after the street part of an address.
3	FLD	Postal Code	1	Optional	<p>This is the Postal Code given as part of an address where appropriate. Ireland has implemented a Postal Code system called Eircode and where available it is recommended that these Postal Codes for Technical Contact Details are communicated in Market Messages.</p> <p>They should conform to the Eircode structure A65F4E2 (there is one allowable exception for the first three characters viz.D6W) where each Eircode is comprised of seven uppercase alpha/numeric characters.</p>

Market Message Guide – Customer and Data Agreements

Segment and Field Level Identifier – 116A Message			Rpt	Optionality	Description / Purpose and composition instructions
3	FLD	City	1	Optional	Used to populate the details of which City an address resides in where appropriate
3	FLD	County - Ireland	1	See instructions	A field denoting the county in Ireland in which an address resides. See the list of data codes for permissible values here. This field must be provided if the Technical Contact Address is in Ireland.
3	FLD	County / State	1	Optional	This denotes the county in which an address is situated. This is an optional field used where the Technical Contact address is not in Ireland, where required.
3	FLD	Country	1	See instructions	A field that makes up part of an address denoting in which country the address resides. This field must be populated if a Technical Address is provided. See the list of data codes for permissible values here.

3 APPENDIX

3.1 Process for rejection of 013/016 where MCC Changes/Contract Changes have been updated in past two days

Where an MCC Change/Contract Change has occurred and a new 013 with SDS changes or a 016 is received within 2 working days, the new configuration cannot be updated. ESNB will reject the second or subsequent Market Message with reject reason code IA on 014R/116R.

Changes can only be made post-midnight on the day after the MCC Change/Contract Change is completed.

This rejection will occur under the following scenarios:

- Where an Existing Contract has been changed on receipt of CoLE with SDS changes and a second or subsequent CoLE, or CoCD with SDS changes is issued by a Supplier within 2 days of processing the first request
- Where an Existing Contract has been changed on receipt of CoLE without SDS changes and a second or subsequent CoLE with SDS changes, or CoCD with SDS changes is issued by a Supplier within 2 days of processing the first request
- Where an Existing Contract/MCC Change has been changed on receipt of CoCD with SDS request and a second or subsequent CoLE (with or without SDS changes) or CoCD with SDS changes is issued by a Supplier within 2 days of processing the first request