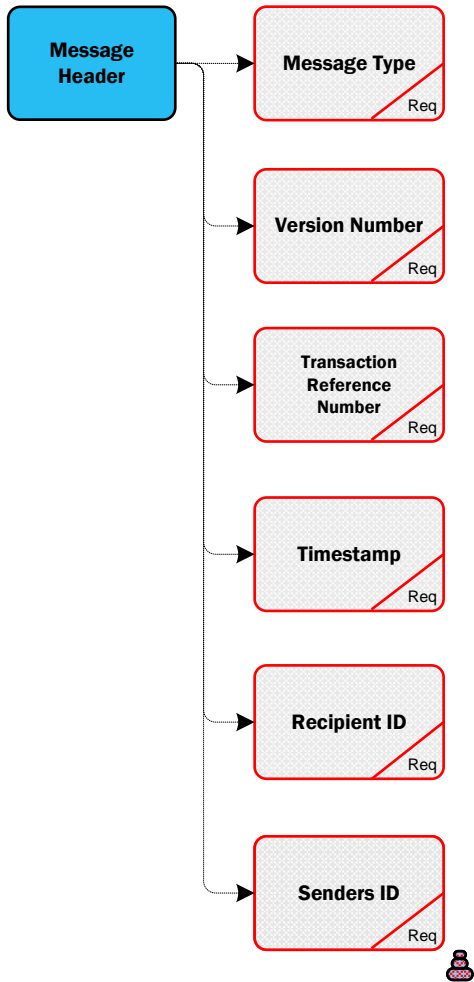


331 Interval Meter Technical Details

331 Valid Codes	331 Valid Codes
Meter Point Status	Read Status (Removed and Retained Meters)
E or D only.	RV Reading which is plausible / valid
Read Reason (Removed meters)	RREL Reading was originally implausible but released on investigation as plausible
13 De-energisation	REST - Reading estimated- used for settlement
16 Closing Read before meter re-programming	Register Type
22 Closing Reading (Register removed)	01 24Hr
23 Meter Works single reading	02 Day
28 Closing read before register renumber	03 Night
Read Reason (New Meters)	04 NSH
11 Start read after meter re-programming	05 Wattless
18 Energisation	06 MD Normal
21 Start reading (New Register)	07 MD Peak
23 Meter Works single reading	08 Cumulative MD Normal
29 Start Read after register renumber	09 Cumulative MD Peak
Read Reason (Retained Meters)	Estimated Usage Factor
09 Special Read – Non Chargeable	Estimated Usage Factor is a statement in kWh of the estimated consumption for a given Timeslot at a Meter Point over the next year and is provided for the period following the read date. Where Meters have been installed EUF will be provided.
Read Type (Removed and Retained Meters)	Optional/Mandatory; Although the following Data Items are optional, note the following caveats:-
A Actual	Actual Usage Factor: Provided by the period terminating on the read date
E Estimated	Estimated Usage Factor: Provided for the period following the read date
EF Estimate (Implausible)	
Read Type (New Meters)	
A Actual only	



331 MPRN Level Info

MPRN
Req

Essential Plant Flag
Opt

Market Participant Business Reference
Opt

DUoS Billing Frequency Code
Opt

Networks Reference Number
Opt

DUoS Billing Cycle
Opt

DUoS Group
Req



Meter Point Status
Req



Effective From Date
Req

Meter Configuration Code
Opt



331 Interval Meter Technical Details

Code

DUoS Group

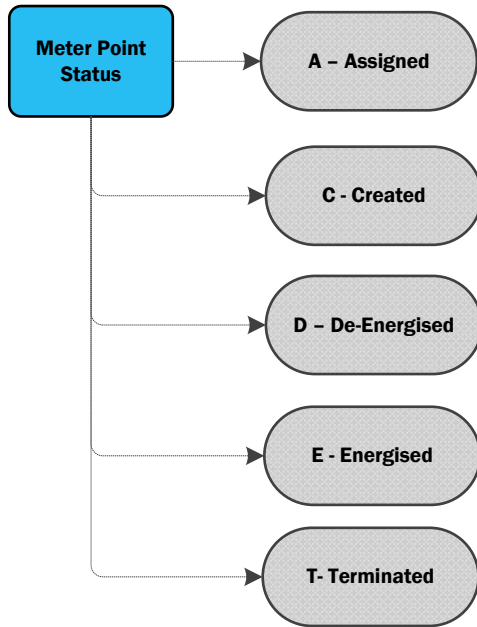
AGU	DG1	Urban Domestic	DG7	MV MD
AMM	DG10	Yes	DG7A	MV MD Autoproducer
CAN	DG2	Rural Domestic	DG7B	MV MD Importing Autoproducer or CHP Producer
CIP	DG3	Public Lighting	DG8	38 kV Looped MD
COL	DG4	Unmetered Supplies	DG8A	38 kV Looped MD Autoproducer
COS	DG5	LV Non-Domestic Non-MD	DG8B	38 kV Looped MD Importing Autoproducer or CHP Producer
CUG	DG5A	LV Non-Domestic Non-MD Autoproducer	DG9	38 kV Tailed MD
DIJ	DG5B	LV Non-Domestic Non-MD Importing Autoproducer or CHP Producer	DG9A	38 kV Tailed MD Autoproducer
DSO	DG6	LV MD	DG9B	38 kV Tailed MD Importing Autoproducer or CHP Producer
IA	DG6A	LV MD Autoproducer	DG10	110kV Distribution
ICD	DG6B	LV MD Importing Autoproducer or CHP Producer	TCON	Transmission Connected

Message

MPRN Level Information

RMDS RETAIL MARKET DESIGN SERVICE

DUoS Group



331 Interval Meter Technical Details

Segment

Meter Configuration Code

MCC01 - 24 Hour	MCC10 - QH2CH_IP	MCC19	MCC61 - 2x24h	MCC73 - 4x24H+NSH
MCC02 - P/N	MCC11 - QH4CH_IPXP	MCC20	MCC62 - 2x24h+NSH	MCC74 - 5x24H
MCC03 - 24h+NSH	MCC12 - HH1CH_1CR_IP	MCC50 - NONSTN	MCC63 - 2x24h+D	MCC75 - 24H+2xNSH
MCC04 - D/N+W	MCC13	MCC51 - D/N+NSH	MCC64 - 2x24h+W	MCC76 - 4x24H+W
MCC05 - MDNm/PK	MCC14	MCC53 - 2 X D/N	MCC65 - 3x24hr	MCC77 - 2x24H+W+NSH
MCC06 - MDNm+Pk	MCC15	MCC57 - 24h+D	MCC67 - 3x24h+Day	MCC78 - 3x24H+W+NSH
MCC07 - 24H+NSH+W	MCC16 - SST IMP	MCC58 - 24h+D/N	MCC70 - 3x24H+NSH	MCC79 - 5x24H+NSH
MCC08 - 24h+W	MCC17	MCC59 - 24h+D/N+W	MCC71 - 4x24H	
MCC09 - Unmetered	MCC18	MCC60 - 24h+D/N+NS	MCC72 - 3x24H+W	

Message

MPRN Level Information

RMDS

RETAIL MARKET DESIGN SERVICE

Meter Configuration Code

331 Interval Technical Meter Details

Code

DUoS Billing
Frequency Code

B - Bi-Monthly

Message

RMDS RETAIL MARKET DESIGN SERVICE

DUoS Billing Frequency Code

331 Interval Technical Meter Details

Code

DUoS Billing
Frequency Code

01 - 41

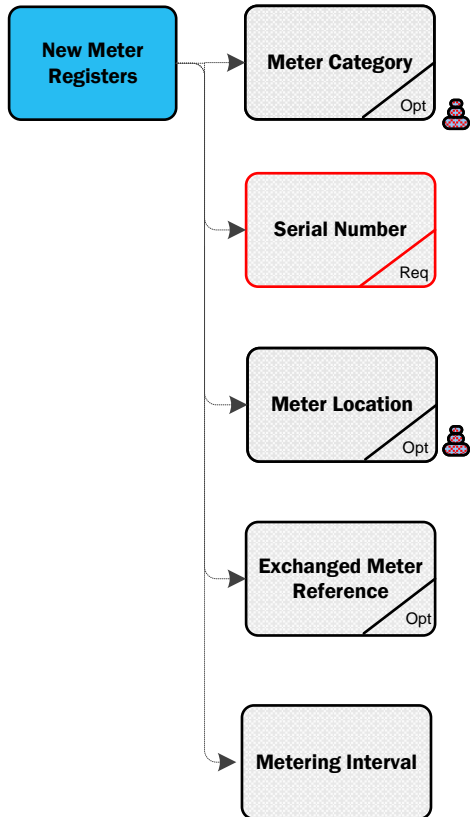
Message

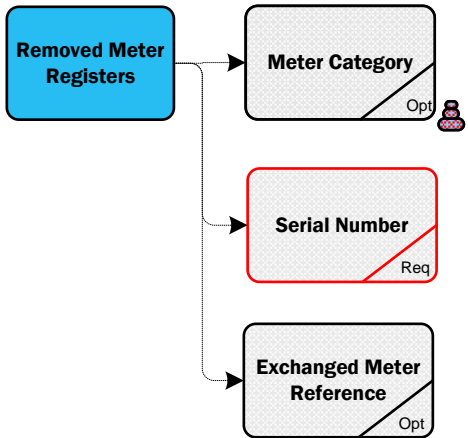
RMDS RETAIL MARKET DESIGN SERVICE

DUoS Billing Cycle

Meter Category

[Click Here for Latest
Meter Category
List](#)





331 Interval Meter Technical Details

Segment

Meter Location

- 01 - Basement
- 02 - Garage
- 03 - Hall
- 04 - Kitchen
- 05 - Landing
- 06 - Office
- 07 - Outside box
- 08 - Porch
- 09 - Press
- 10 - Pumphouse
- 11 - Scullery/
Pantry/Kitchen
- 12 - Shop
- 13 - Switchroom/
Board
- 14 - Under Stairs
- 15 - Car Park
- 16 - Pole
- 17 - Lobby
- 18 - Shed/Outoffice/
Barn
- 19 - Annexe
- 20 - Milking parlour/
Dairy
- 21 - Workshop
- 22 - Store
- 23 - Back door
- 24 - Bedroom
- 25 - Boiler House
- 26 - Factory

Message

New Meter
Registers

RMDS

RETAIL MARKET DESIGN SERVICE

Meter Location

331 Interval Meter Technical Details

Code

Register Type

01 - 24hr

50 - IMP QH (KW)

02 - Day

51 - IMP QH (kVAr)

03 - Night

52 - EXP QH(KW)

04 - NSH

53 - EXP QH (kVAr)

05 - Wattless

70 - Import HH kW

06 - MD Normal

74 - Import 24hr kWh

07 - MD Peak

78 - Day Off Peak

08 - Cumulative MD Normal

79 - Night Off Peak

09 - Cumulative MD Peak

80 - Peak

Message

Removed Register Level Info

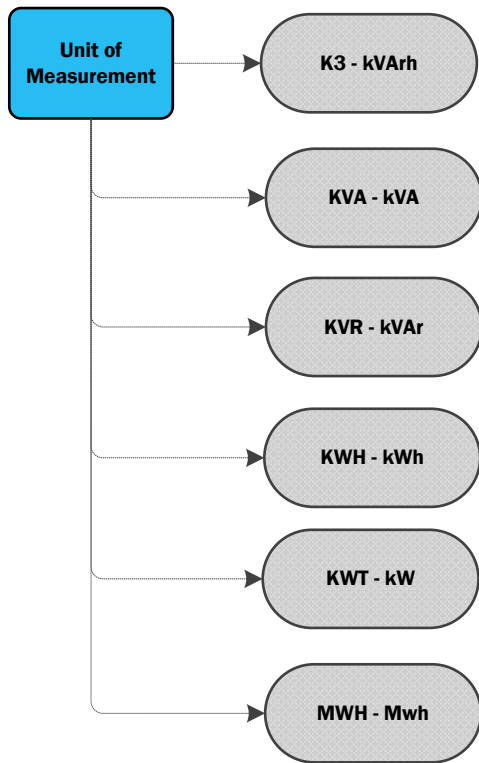
New Register Level Info

Retained Register Level Info

RMDS

RETAIL MARKET DESIGN SERVICE

Register Type



331 Interval Meter Technical Details

Version Which Implemented	Source of Change	Description of Change
13.0	MCR1160	New visio was created for this existing Market Message