

---

# Retail Market Message Guide

## Meter Works

---

<i>Document Information</i>	
Business Area:	ESB Networks
Status:	Final
Author/s:	ESBN
Version Number:	5.1
Reason for Change	Market Schema Guide 5.1

**Retail Market Message Guide – Meter Works**

<b>Document Updates</b>			
<b>Name</b>	<b>Date</b>	<b>Reason</b>	<b>Version</b>
H&SP Project	22/02/2012	Initial Draft	2.3
MMR 10.2	21/11/2013	Updated following approval at ReMCoWG of MCR1129 & approval at IGG of MCR 1134	2.4
Co-MMR 10.4	11/02/2015	The following non-conformances were addressed. MM131 – W202: updated to Energise – Wiring Cert required  “Including Reading” deleted from MM306, MM306W, MM307, MM307W, MM106D, MM106E. Message 030 – Step 2 Meter Works Type changed to – Install Interval Metering and Communications MM106 E – Comments field added to Meter Point Details	2.5
Co-MMR 10.6	04/12/2015	Re-versioned as part of Co-MMR 10.6	2.6

**Retail Market Message Guide – Meter Works**

Co-MMR 10.7	02/06/2016	<p>AIQ 2964 - The following paragraph on page 10 Message Version is removed:  This Message Guide refers to and is consistent with the Discussion Request (DR 176) which is based on Market Design version 8 and the 131 market message from MCR0171. NI specific validations are not included in this guide</p> <p>AIQ 2966 – Reference to MM 131 was missing in the scope page 11. MM131 added.</p> <p>AIQ 2967 - Reference to MM 131 was missing from Market message Introduction on page 14. The following text was added:</p> <p>Notification to Suppliers of the status of a meter works request, de-energisation request, re-energisation request, revenue protection and meter problem calls – message 131.</p> <p>Page 18 – Market Message 131 added to table.</p>	2.7
Schema Release V11.0	05/08/2016	<p>MCR 1111 – Automated Debt Flagging  MCR 1122 – Essential Plant</p>	3.0

## Retail Market Message Guide – Meter Works

MMR 11.1	02/10/2017	MCR 1188 - Update MPD 09 to Reflect Actual Market Process in relation to Meter and/or Service Removal:  Page 35 - Access Arrangements updated with reference to Meter and/or Service removal.	3.1
Schema Release V12.0	22/04/2019	Re-versioned as part of Schema Release V12.0 MCR1173: Vulnerable Customer Implementation in Rol of SI 463  MCR1140 Introduction of Eircodes into the Retail Market in Ireland	4.0
Co-MMR 12.1	19/08/2020	Re-versioned as part of Co-MMR 12.1	4.1
Schema Release V13.0	16/02/2021	Re-versioned as part of Schema Release V13.0  MCR0176: E-Mail Address Validation  MCR1160: Smart Metering Meter Works	5.0

**Retail Market Message Guide – Meter Works**

MMR 13.2	15/12/2021	<p>Text 'Not used in ROI' replaced with 'Not used post System Separation' for the following fields:            Tariff Configuration Code, Appointment Id, Prepayment Type, Comment, Keypad Premise Number, Networks Reference, MIC Start Date, Current Changeable Service Capacity, CSC Start Date and CSC End Date            Page 62 &amp; 81 - DIJ Rejection Reason code text added- (DIJ remains in the schema post System Separation)            Appendix 3A - Status Code 'S' row deleted            Appendix 3B - Status Code 'S' column deleted. 252            MM updated to change NIE references to 'NO'.            Appendix 3B - Status Code 'S' column deleted. 252            MM updated to change NIE references to 'NO'.            Format change: ESB (Yellow) to YES (Green)            Page 233 - Rationale (NIE) text deleted</p> <p>Non-Conformance – Appendix 1C – Read Reason 22 text changed to read “Closing read for register removed”.</p>	5.1
MMR V13.6	14/09/2023	<p>MCR1225 MCC02 Exchanges Impacts:            117R MM – IA Reject Reason Code includes request for SMART services for MCC02 meters</p>	

## Table of Contents

<b>INTRODUCTION .....</b>	<b>11</b>
1.1 PURPOSE OF THE MESSAGE IMPLEMENTATION GUIDE .....	11
1.2 MESSAGE GROUPS .....	13
1.3 TECHNICAL OVERVIEW .....	13
1.4 MESSAGE VERSION .....	10
1.5 SCOPE .....	14
1.6 VALIDATION.....	16
1.7 NOTES .....	17
1.8 MARKET MESSAGE INTRODUCTION.....	17

**MARKET MESSAGES.....23**

- 1.9 017 METER POINT STATUS CHANGE REQUEST ..... 23
  - Purpose / Description of message/Validation* ..... 23
  - Data hierarchy diagram* ..... 25
  - Message Structure/Message Validation* ..... 26
- 1.10 117D CHANGE IN ENERGISATION STATUS DELAY ..... 50
  - Purpose / Description of message* ..... 50
  - Data hierarchy diagram* ..... 51
  - Message Structure*..... 51
- 1.11 117R METER POINT STATUS REQUEST REJECTION ..... 53
  - Purpose / Description of message* ..... 53
  - Data Hierarchy Diagram*..... 56
  - Message Structure*..... 57
- 1.12 030 METER WORKS REQUEST ..... 61
  - Purpose / Description of message/Validation* ..... 61
  - Data Hierarchy Diagram*..... 63
  - Message Structure/Validation*..... 64
- 1.13 130D METER WORKS REQUEST DELAYED ..... 73
  - Purpose / Description of message* ..... 73
  - Data Hierarchy Diagram*..... 74
  - Message Structure*..... 75
- 1.14 130R METER WORKS REQUEST REJECTION ..... 76
  - Purpose / Description of Message*..... 76
  - Data Hierarchy Diagram*..... 78
- 1.15 137R APPOINTMENT REJECTION..... 81
  - Purpose / Description of Message*..... 81
  - Data Hierarchy Diagram*..... 83
  - Message Structure*..... 83
- 1.16 306 METER POINT STATUS CHANGE CONFIRMATION – DE-ENERGISATION ..... 86
  - Purpose / Description of Message*..... 86
  - Data Hierarchy Diagram*..... 87

## Retail Market Message Guide – Meter Works

	<i>Message Structure</i> .....	88
1.17	306W METER POINT STATUS CHANGE CONFIRMATION – DE-ENERGISATION – WITHDRAWN READ .....	96
	<i>Purpose / Description of Message</i> .....	96
	<i>Data Hierarchy Diagram</i> .....	97
	<i>Message Structure</i> .....	98
1.18	307 METER POINT STATUS CHANGE CONFIRMATION – ENERGISATION .....	105
	<i>Purpose / Description of Message</i> .....	105
	<i>Data Hierarchy Diagram</i> .....	91
1.19	307W METER POINT STATUS CHANGE CONFIRMATION – ENERGISATION – WITHDRAWN READ .....	115
	<i>Purpose / Description of Message</i> .....	115
	<i>Data Hierarchy Diagram</i> .....	116
	<i>Message Structure</i> .....	117
1.20	106D METER POINT STATUS CHANGE CONFIRMATION – DE-ENERGISATION .....	122
	<i>Purpose / Description of Message</i> .....	122
	<i>Data Hierarchy Diagram</i> .....	123
	<i>Message Structure</i> .....	124
1.21	106E METER POINT STATUS CHANGE CONFIRMATION – ENERGISATION .....	126
	<i>Purpose / Description of Message</i> .....	126
	<i>Data Hierarchy Diagram</i> .....	127
	<i>Message Structure</i> .....	128
1.22	332 NON INTERVAL METER TECHNICAL DETAILS .....	129
	<i>Purpose / Description of Message</i> .....	129
	<i>Data Hierarchy Diagram</i> .....	132
	<i>Message Structure</i> .....	133
1.23	332W NON INTERVAL METER TECHNICAL DETAILS – WITHDRAWN READ .....	147
	<i>Purpose / Description of Message</i> .....	147
	<i>Data Hierarchy Diagram</i> .....	149
	<i>Message Structure</i> .....	150
1.24	331 INTERVAL METER TECHNICAL DETAILS.....	162
	<i>Purpose / Description of Message</i> .....	162
	<i>Data Hierarchy Diagram</i> .....	164
	<i>Message Structure</i> .....	164



## Retail Market Message Guide – Meter Works

	<i>Message Structure</i> .....	165
1.25	301 METER POINT CHARACTERISTICS .....	169
	<i>Purpose / Description of Message</i> .....	169
	<i>Data Hierarchy Diagram</i> .....	171
	<i>Message Structure</i> .....	172
1.26	301N PROPOSED METER POINT CHARACTERISTICS.....	178
	<i>Purpose / Description of Message</i> .....	178
	<i>Data Hierarchy Diagram</i> .....	179
	<i>Message Structure</i> .....	180
1.27	311 METER PROBLEMS.....	186
	<i>Purpose / Description of Message</i> .....	186
	<i>Data Hierarchy Diagram</i> .....	187
	<i>Message Structure</i> .....	188
1.28	260 OBSERVATION OF PROBLEM, DAMAGE OR TAMPERING.....	192
	<i>Purpose / Description of Message/Validation</i> .....	192
	<i>Data Hierarchy Diagram</i> .....	193
	<i>Message Structure/Validation</i> .....	194
1.29	261 RESOLUTION OF PROBLEM, DAMAGE OR TAMPERING.....	200
	<i>Purpose / Description of Message</i> .....	200
	<i>Data Hierarchy Diagram</i> .....	201
	<i>Message Structure</i> .....	202
1.30	330 NOTIFICATION OF CHANGE OF METERING FROM NON INTERVAL TO INTERVAL.....	206
	<i>Purpose / Description of Message</i> .....	206
	<i>Data Hierarchy Diagram</i> .....	207
	<i>Message Structure</i> .....	208
1.31	131 WORKS STATUS.....	213
	<i>Purpose / Description of Message</i> .....	213
	<i>Data Hierarchy Diagram</i> .....	214
	<i>Message Structure</i> .....	215

**Retail Market Message Guide – Meter Works**

**APPENDIX 1.....222**

- 1.32 APPENDIX 1A – MESSAGE 306 COMBINATIONS ..... 222
- 1.33 APPENDIX 1B – MESSAGE 307 COMBINATIONS ..... 223
- 1.34 APPENDIX 1C – MESSAGE 332 COMBINATIONS ..... 223

**APPENDIX 2.....226**

- 1.35 APPENDIX 2A – METER POINT STATUS CHANGE VALIDATION SEQUENCE DIAGRAM ..... 226
- 1.36 APPENDIX 2B – METER WORKS REQUEST VALIDATION SEQUENCE DIAGRAM ..... 227

**APPENDIX 3.....228**

- 1.37 APPENDIX 3A – MESSAGE 131 – FIELDWORK STATUS CODE ..... 228
- 1.38 APPENDIX 3B – MESSAGE 131 – MESSAGE USAGE MATRIX..... 230

## INTRODUCTION

### Purpose of the Message Implementation Guide

This document is a Message Implementation Guide to assist Suppliers in:

- The construction of market messages to be sent to DSO and MRSO; and
- The interpretation of messages received from DSO and MRSO.

The Message Implementation Guides are organized into separate **Message Groups** documents based around key business processes. These are:

- Registration, including Change of Supplier
- Customer Data and Agreements
- Data Processing
- Data Aggregation
- DUoS and Transaction Payments
- Meter Works
- SSA
- Unmetered

## **Retail Market Message Guide – Meter Works**

- Market Gateway Activity

This document is the **Meter Works** Implementation Guide.

The same type of data is often provided in several messages and, irrespective of the message type, this data is subject to common rules for population. An example is the Meter Point Address.

A separate document exists to describe the population rules for these types of data, providing:

- An overview of the structure of the segment
- Instructions relating to how to populate each segment and field.

This is the Common Data Segments Implementation Guide.

## Retail Market Message Guide – Meter Works

### Message Groups

Each Message Group section contains:

- An introduction outlining the scope and business context for the message group
- A Message Usage Summary with a description of when each message is used
- A list of Related Business Documents that govern the process
- A message directory with a section for each separate message which includes:
  - A description of each message and when it should be used
  - An overview diagram of the structure of the message.
  - For messages sent by Suppliers:
    - A table containing composition instructions on how to populate each segment and field
    - A table describing how the message will be validated
    - A description of the responses that can be expected
  - For messages sent by ESB Networks:
    - A table containing a description of how each segment and field will be populated.

### Technical Overview

Messages are exchanged in XML format between the Market Gateway operated by ESB and the Market Participant Communication Component (MPCC) software.

## Retail Market Message Guide – Meter Works

### Scope

The scope of this document covers all Meter Works messages sent between Suppliers and ESB Networks. These messages allow Registered Suppliers and ESB Networks to share data relating to Meter Works requests.

The message numbers included as in scope are as follows:

- 017 Meter Point Status Change Request
- 117D Change in Energisation Status Delay
- 117R Meter Point Status Request Rejection
- 030 Meter Works Request
- 130D Meter Works Request Delayed
- 130R Meter Works Request Rejection
- 131 Work Status
- 137R Appointment Rejection
- 306 Meter Point Status Change Confirmation – De-energisation
- 306W Meter Point Status Change Confirmation – De-energisation – Withdrawn Read
- 307 Meter Point Status Change Confirmation – Energisation
- 307W Meter Point Status Change Confirmation – Energisation– Withdrawn Read
- 106D Meter Point Status Change Confirmation – De-energisation (Interval Metering)

## **Retail Market Message Guide – Meter Works**

- 106E Meter Point Status Change Confirmation – Energisation (Interval Metering)
- 332 Non Interval Meter Technical Details
- 332W Non Interval Meter Technical Details – Withdrawn Read
- 331 Profile Meter Technical Details (Interval Metering)
- 301 Meter Point Characteristics
- 301N Proposed Meter Point Characteristics
- 311 Meter Problems
- 260 Observation of Problem, Damage or Tampering
- 261 Resolution of Problem, Damage or Tampering
- 330 Notification of Non Interval to Interval metering change

### Validation

The document provides notes on how ESB Networks will validate the messages received. The purpose of these notes is to aid the Supplier in the population of each message and is intended to avoid instances where messages are rejected due to the incorrect population of a message field. The validation described is therefore limited to field specific validations.

Syntax validation is excluded from the validation notes. This is performed by using standard XML Schema validation against the ieXML schema provided that defines the data structures of all market messages in scope. Syntax validation includes:

- Checks that the structure of the message is correct
- Checks that all mandatory fields are provided. Mandatory fields are, however, indicated in the instructions for populations.
- Checks that any data code is selected from the list of data codes issued by ESB Networks.

In cases where the segment on a message fails on any of these reasons, a negative acknowledgement is sent back as a market message to the message sender containing the following information:

- The Transaction Reference Number supplied on the inbound message
- A copy of the message contents as received by ESB Networks
- A description of the error.

General market process validations that are not specific to individual market message fields are excluded. These are described in the appropriate ROI market specific Market Procedure Documents (MPD) referenced in each section.



## Retail Market Message Guide – Meter Works

If there is any inconsistency between an MPD and the Message Implementation Guide then the MPD will take precedence.

### Notes

This document refers to segment and field levels which should be interpreted as follows:

- The level number indicated against the segment refers to the level of the data items and segments within that segment. Therefore, for example, in message 010 where 'MPRN Level Information -Level 2' is stated it is the data items and segments that comprise 'MPRN Level Information' that are level two items (e.g. MPRN field, Market Participant Business Reference field, Meter Point Address segment). Accordingly, within this document, MPRN Level Information segment is shown as a Level 1 segment.
- Message Header is a Level 1 segment is a child of Header Level Information.

### Market Message introduction

The grouping of messages in this guide relate to the communication of requests for and changes to Metering and Metering related details at Meter Points between Registered Suppliers and ESB Networks. These can be subdivided into the following main types of change:

- Requests for and updates too Meter Point Status for Non Interval and Interval metering – messages 017, 306, 306W, 307, 307W, 106D, 106E.
- Requests for Meter works at a meter location – message 030
- Notification of delays and rejections to meter works and de-energisation requests and appointment time slot rejections – messages 117D, 117R, 130D, 130R and 137R.
- Notification to Suppliers of the status of a meter works request, de-energisation request, re-energisation request, revenue protection and meter problem calls – message 131.
- Notifications and withdrawals of Non Interval Meter Technical details (Including readings) – messages 332 and 332W
- Notification of Profile Meter Technical Details (Interval Metering) – Message 331
- Notification of proposed and actual changes to Meter Point Characteristics – Messages 301 and 301N.

---

**Market Message Guide - Meter Works Baseline V5.1**

## **Retail Market Message Guide – Meter Works**

- Notification of change of metering from Non Interval to Interval (TSO only) – Message 330.
- The notification of Meter problems, damage and tampering and resolution of the same – messages 311, 260 and 261.

The following table provides a trigger list for each message described in this document, detailing when it is to be used.

## Retail Market Message Guide – Meter Works

Message	Title	Sender	Recipient	Trigger	Predecessor or	MPD Ref.
017	Meter Point Status Change Request	Supplier	Networks	Supplier wishes to request an Energisation or De-energisation at a Meter Point to which they are registered as Supplier. (Supplier can also request a COLE on this message)	none	MPD9, MPD10
117D	Change in Energisation Status Delay	Networks	Supplier	Networks wishes to delay the change in energisation status requested by Supplier for a specific reason.	017	MPD10
117R	Meter Point Status Request Rejection	Networks	Supplier	Networks wishes to reject the change in energisation status requested by Supplier for a specific reason.	017	MPD9, MPD10
030	Meter Works Request	Supplier	Networks	Supplier wishes to request meter works at a Meter Point to which they are registered as Supplier	none	MPD11, MPD35
130D	Meter Works Request Delayed	Networks	Supplier	Networks wishes to delay the request for meter works by Supplier for a specific reason.	030	MPD11, MPD35
130R	Meter Works Request Rejection	Networks	Supplier	Networks wishes to reject the request for meter works by Supplier for a specific reason.	030	MPD11,MPD35
137R	Appointment Rejection	Networks	Supplier	Networks rejects the appointment requested by Supplier on a 017 / 030 as appropriate but does not wish to reject the work request itself.	017 or 030	MPD10, MPD11
306	Meter Point Status Change Confirmation – De-energisation	Networks	Supplier	Networks confirm a change in energisation status from energised to De-energised for a Non Interval Meter Point. This can be the result of a Supplier request or occasionally as a result of on site safety work by Networks.	017 or none	MPD9, MPD14

## Retail Market Message Guide – Meter Works

Message	Title	Sender	Recipient	Trigger	Predecessor or	MPD Ref.
306W	Meter Point Status Change Confirmation – De-energisation – Withdrawn Read	Networks	Supplier	Networks withdraws Non Interval reads provided previously on a 306	306	MPD14
307	Meter Point Status Change Confirmation – Energisation	Networks	Supplier	Networks confirm a change in energisation status from De-energised to energised for a Non Interval Meter Point. This can be the result of a Supplier request or occasionally as a result of on site safety work by Networks.	017 or none	MPD10, MPD14
307W	Meter Point Status Change Confirmation – Energisation– Withdrawn Read	Networks	Supplier	Networks withdraws Non Interval reads provided previously on a 307	307	MPD14
106D	Meter Point Status Change Confirmation – De-energisation	Networks	Supplier and TSO	Networks confirm a change in energisation status from energised to De-energised for a Interval Meter Point. This can be the result of a Supplier request or on site safety work by Networks.	017 or none	MPD9
106E	Meter Point Status Change Confirmation – Energisation	Networks	Supplier / TSO	Networks confirm a change in energisation status from De-energised to energised for a Interval Meter Point. This can be the result of a Supplier request or on site safety work by Networks.	017 or none	MPD10
332	Non Interval Meter Technical Details	Networks	Supplier	Networks provides confirmation of Non Interval Meter works (Including Final and start reads if appropriate) to the Supplier registered to the Meter Point.	030 or none	MPD5, MPD8(1.1),  MPD9, MPD10,MPD11,

**Retail Market Message Guide – Meter Works**

Message	Title	Sender	Recipient	Trigger	Predecessor or	MPD Ref.
						MPD12, MPD14, MP35
332W	Non Interval Meter Technical Details – Withdrawn Read	Networks	Supplier	Networks withdraws readings provided previously on a 332 message	332	MPD14
331	Profile Meter Technical Details	Networks	Supplier / TSO	Completion of meter works at a Meter Point involving Interval Metering (Removals, installs or exchanges).	030 or none	MPD2, MPD6, MPD7 (1.1), MPD7 (1.2), MPD8(1.1), MPD11, MPD12, MPD 35
301N	Proposed Meter Point Characteristics	Networks	Supplier	Networks notifies Supplier of proposed changes to the connection characteristics at a Meter Point as a result of a quotation for an increased / decreased connection.	None	MPD8 (1.1)
301	Meter Point Characteristics	Networks	Supplier / TSO	Networks make changes to the connection characteristics at a Meter Point as a result of a new connection agreement or Networks initiated changes to connection characteristics.	None	MPD8 (1.1)
311	Meter Problems	Networks	Supplier	Networks finds problems at a meter point and notifies the Supplier registered to the meter point of those problems.	260 or none	MPD12, MPD17
260	Observation of Problem, Damage or Tampering	Supplier	Networks	Supplier or their appointed Agent observes a problem, damage or tampering at a meter point to which they are	None	MPD12

**Retail Market Message Guide – Meter Works**

Message	Title	Sender	Recipient	Trigger	Predecessor or	MPD Ref.
				the Supplier and notifies Networks.		
261	Resolution of Problem, Damage or Tampering	Networks	Supplier	Networks have rectified problems, damage or tampering notified to them by the Registered Supplier on a 260 or notified to Supplier previously on a 311.	260 or 311	MPD12
330	Notification of Non Interval to Interval meter changes	Networks	TSO	Networks notifies TSO of a change the metering from Non Interval to Interval at a meter point	030 or none	MPD 8 (1.1), MPD 11, MPD 35
131	Work Status	Networks	Supplier	The 131 message allows ESB Networks to notify Suppliers of the status of a meter works request, de-energisation request, re-energisation request, revenue protection and meter problem calls	030 or 017	MPD 9, MPD 10, MPD 11, MPD12

**MARKET MESSAGES**

**1.09 017 Meter Point Status Change Request**

**Purpose / Description of message/Validation**

The 017 message is sent by Supplier to the ESB Networks business to request a change of energisation status at a Meter Point to which they are the Registered Supplier. DSO will undertake validation of the message at segment and field level

The following changes can be requested on this message:

- Requests to energise a Meter point
- Requests to de-energise a Meter point
- Requests to carry out a Change of Legal Entity and energise the metering at a Meter Point.

Message 017 is used in the following Market Processes:

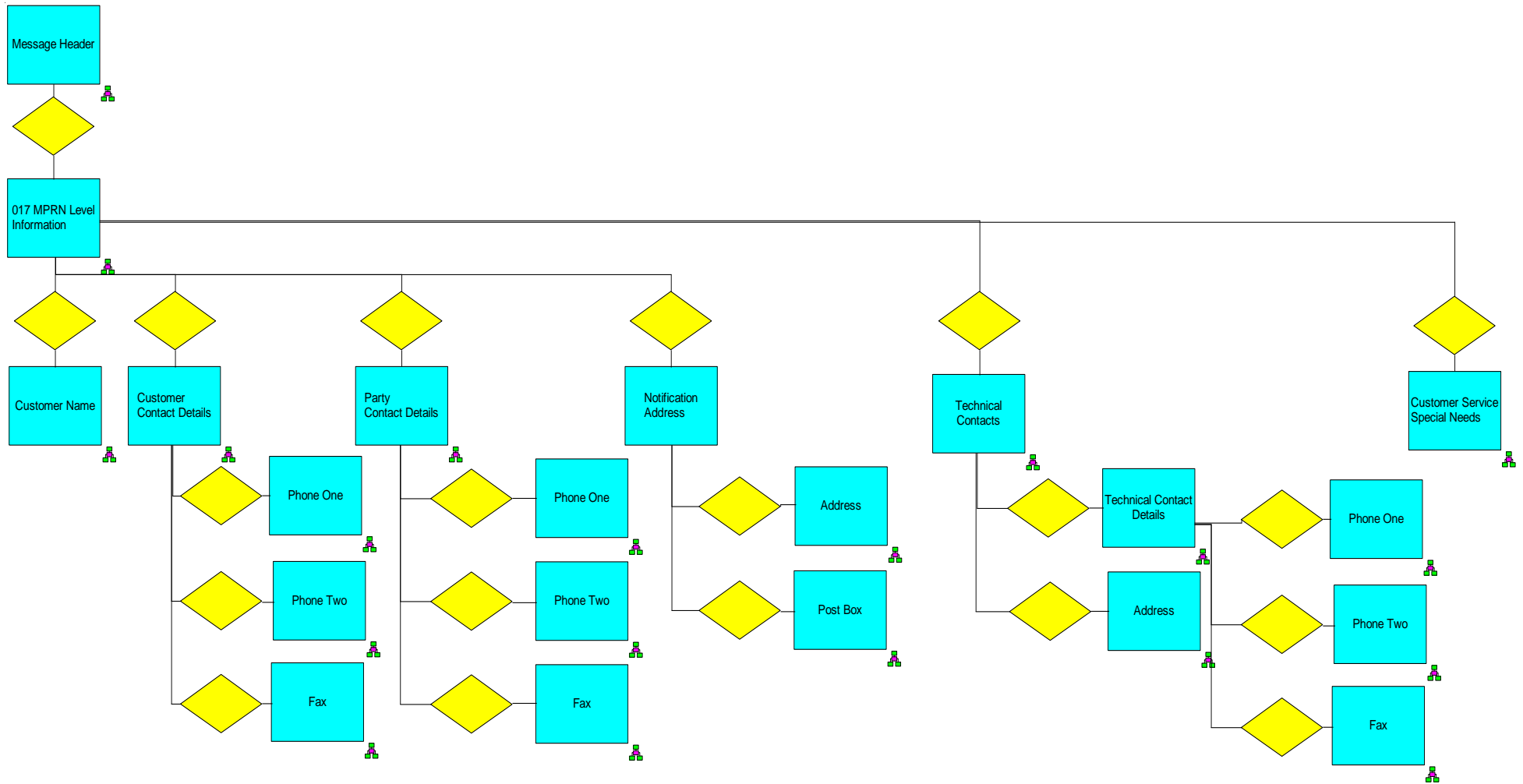
Process Number and Title		Use of Message
MPD 9	De-energisation	To request a change of energisation status at a meter point to 'D'

**Retail Market Message Guide – Meter Works**

MPD 10	Re-energisation	To request a change of energisation status at a meter point to 'E'
--------	-----------------	--



Data hierarchy diagram



## Retail Market Message Guide – Meter Works

### Message Structure/Message Validation

This section describes the structure of the 017 message. The purpose of the message segments and data items is explained and any rules for composition outlined together with the validation which the DSO undertakes at segment and field level

Segment and Field Level Identifier – 017 Message			Rpt	Optionality	Description / Purpose and composition instructions	Validation	
1 Message Header			1	Mandatory	<i>Refer to common data segments document</i>		
1 Meter Point Details			1	Mandatory			
2	FLD	MPRN	1	Mandatory	The unique identifying reference number for the Meter Point. All elements of MPRN must be provided.	Message will fail validation if all elements of MPRN are not provided. If an open change of Supplier is detected for the MPRN or the Supplier is not registered to the MPRN a 117R is sent rejecting the 017 request.	
2	SEG	Customer Name	1	See Instructions	The customer with whom the Supplier has concluded an agreement to supply electricity. This segment is mandatory where a Change of Legal entity is being notified on this message.	Message will fail validation if this segment is not provided in cases where COLE is flagged as 1.	
	3	FLD	Title	1	Optional	This relates to the title of a person that comes before a name for addressing purposes. See the valid list of codes for Title.	This field will be ignored if it does not match one of the valid codes for title.
	3	FLD	Last Name	1	See	This is the last or family name. This field is	Message will fail validation where COLE is flagged as Y and this item

**Retail Market Message Guide – Meter Works**

Segment and Field Level Identifier – 017 Message		Rpt	Optionality	Description / Purpose and composition instructions	Validation	
			Instructions	mandatory if the customer is a person.	or Name_ Org1 is not provided	
3	FLD	First Name	1	Optional	This is the first given name of a person	No individual validation of this field
3	FLD	Name_Org1	1	See Instructions	This is the name of a company or organisation. This field is mandatory if the customer is an organisation.	Message will fail validation where COLE is flagged as Y and this item or Last Name is not provided
3	FLD	Name_Org2	1	Optional	This field can be used as overflow for the name of a company or organisation	No individual validation of this field.
3	FLD	Registered Company No.	1	Optional	Registered Company Number is the number of a business as allocated by the Company Registration Office.	No individual validation of this field.
3	FLD	Trading As	1	Optional	This field can be used to populate information on companies / organisations that have a trading as name	No individual validation of this field.
2	SEG	Customer Contact Details	1	See Instructions	A set of details enabling the customer to be contacted. This segment is mandatory where a change of legal entity is being notified on this message and a customer phone number is available.	No individual validation at Segment level.
3	FLD	Phone number 1	1	See Instructions	This is the principal phone number of a customer and must be populated if known by Supplier	No individual validation of this field.
3	FLD	Phone Ext1	1	Optional	This is the principal phone number overflow field for storing number extensions where applicable	No individual validation of this field.

Retail Market Message Guide – Meter Works

Segment and Field Level Identifier – 017 Message			Rpt	Optionality	Description / Purpose and composition instructions	Validation
3	FLD	Phone number 2	1	Optional	This field can be used for the secondary phone number where this is required.	No individual validation of this field.
3	FLD	Phone Ext2	1	Optional	This is the secondary phone number overflow field for storing number extensions where applicable.	No individual validation of this field.
3	FLD	Email	1	Optional	<ul style="list-style-type: none"> <li>This field is intended to store electronic mail address details where applicable</li> </ul>	Message will fail validation if email is not structured to the following rules: A mail address may contain the character @ only once There must not be a full-stop at the beginning There must not be a full stop immediately before the character @ There must not be a full-stop immediately after the character @ There must not be a full-stop at the end of the address There must not be two subsequent full-stops in the address There must be no blank character in the address Where an invalid email address is received on an 017 with CoLE, the message in its entirety will be rejected via MM117R with Reject Reason EMA
3	FLD	Fax	1	Optional	This field is intended to store a Fax telephone number where applicable	No individual validation of this field.
3	FLD	Fax Ext	1	Optional	This field is intended to store a Fax extension telephone number where applicable	No individual validation of this field.
2	SEG	Notification Address	1	See Instructions	An address for correspondence with customers. This segment is mandatory where a Change of Legal Entity is being requested on this message	No individual validation at Segment level I

**Retail Market Message Guide – Meter Works**

Segment and Field Level Identifier – 017 Message			Rpt	Optionality	Description / Purpose and composition instructions	Validation
					and a notification address has been provided for the customer moving in to the Meter Point Address. When providing a Notification address Suppliers must provide either a Street Type Address or a PO Box Type Address but not both.	
3	SEG	Street Type Address	1	See Instructions	Street type address provides details such as Street Name, House no etc. This segment is mandatory where a street type address is being provided or changed as part of notification address	No individual validation at Segment level
4	FLD	C/O Name	1	Optional	This is the name to which correspondence can be addressed where this is different to the customer name.	No individual validation of this field
4	FLD	Unit No.	1	Optional	This field can be used to populate information relating to the unit, flat or apartment number that can be part of an address	No individual validation of this field
4	FLD	Addr Line 1	1	Optional	This field can be used as overflow for address details	No individual validation of this field
4	FLD	Addr Line 2	1	Optional	This field can be used as overflow for address details	No individual validation of this field
4	FLD	House No.	1	Optional	This can be used to populate the number of a premises given as part of an address	No individual validation of this field
4	FLD	Street	1	See Instructions	This field stores information relating to the street part of an address and must be provided if	Message will fail validation where a Notification Address is provided and one or other of PO Box

Retail Market Message Guide – Meter Works

Segment and Field Level Identifier – 017 Message			Rpt	Optionality	Description / Purpose and composition instructions	Validation
					populating the street type address segment.	Number or Street fields are not provided.
4	FLD	Addr Line 4	1	Optional	This field can be used as overflow for address details	No individual validation of this field
4	FLD	Addr Line 5	1	Optional	This field can be used as overflow for address details	No individual validation of this field
4	FLD	Postal Code	1	Optional	<p>This is the Postal Code given as part of an address where appropriate. Ireland has implemented a Postal Code system called Eircode and where available it is recommended that these Postal Codes for Technical Contact Details are communicated in Market Messages.</p> <p>They should conform to the Eircode structure A65F4E2 (there is one allowable exception for the first three characters viz.D6W) where each Eircode is comprised of seven uppercase alpha/numeric characters.</p>	No individual validation of this field
4	FLD	City	1	Optional	Used to populate the details of which City an address resides in where appropriate	No individual validation of this field
4	FLD	County -	1	Optional	A field denoting the county in Ireland in which an address resides. See the list of data codes for	Message will fail validation if this item is provided and it does not

**Retail Market Message Guide – Meter Works**

Segment and Field Level Identifier – 017 Message			Rpt	Optionality	Description / Purpose and composition instructions	Validation
		Ireland			permissible values here.	match one of the allowed code values for this item.
4	FLD	County / State	1	Optional	This denotes the county in which an address is situated. This is a free text 40 character field for use in non – Irish Addresses.	No individual validation of this field
4	FLD	Country	1	See Instructions	A field that makes up part of an address denoting in which country the address resides. This item must be provided if a Notification (Street Type) Address is provided. See the list of data codes for a valid list of codes here.	Message will fail validation if this item is omitted or does not match one of the valid codes where the segment is provided.
3	SEG	P.O. Box Type Address	1	See Instructions	This segment allows a PO Box address to be stored as part of a notification address. This segment must be populated if a PO Box address is being provided for a customer on moving into a property.	This address type takes precedence over the Street type address part of Notification address for the purposes of correspondence with the customer where provided.
4	FLD	PO Box Number	1	See Instructions	This number denotes the number given to a PO Box address and is a mandatory field if a PO Box address is provided for a customer at COLE.	Message will fail validation where a Notification Address is provided and one or other of PO Box Number or Street fields are not provided.
4	FLD	Postal Code	1	Optional	This is the Postal Code given as part of an address where appropriate. Ireland has implemented a Postal Code system called Eircode and where	No individual validation of this field.

Retail Market Message Guide – Meter Works

Segment and Field Level Identifier – 017 Message			Rpt	Optionality	Description / Purpose and composition instructions	Validation
					<p>available it is recommended that these Postal Codes for Technical Contact Details are communicated in Market Messages.</p> <p>They should conform to the Eircode structure A65F4E2 (there is one allowable exception for the first three characters viz.D6W) where each Eircode is comprised of seven uppercase alpha/numeric characters.</p>	
4	FLD	City	1	Optional	Used to populate the details of which City an address resides in where appropriate	No individual validation of this field.
4	FLD	Country	1	See Instructions	A field that makes up part of an address denoting in which country the address resides. This field is mandatory if a PO Box address is provided for a customer at COLE. See the list of data codes for a valid list of codes here.	Message will fail validation if this item is omitted or does not match one of the valid codes where the segment is provided.
2	FLD	Meter Point Status	1	Mandatory	Meter Point Status on a 017 message is a code to identify the requested connection status of a meter point. This must be set to code values of either <b>E</b> – Energised or <b>D</b> – De-energised. Meter Point Status should be in alignment with Meter Point Status Reason and not the existing status at the Meter	This must be set to code values of either <b>E</b> – Energised or <b>D</b> – De-energised. The status requested here is checked against the current status held for the meter point.



Retail Market Message Guide – Meter Works

Segment and Field Level Identifier – 017 Message		Rpt	Optionality	Description / Purpose and composition instructions	Validation	
				Point.	<ul style="list-style-type: none"> <li>Where the requested status is E and the current status in Networks systems is also E the message will not fail validation.</li> </ul> <p>Where the requested status is D and the current status in Networks systems is also D the message will fail validation generating an 117R (Rejection Code IID).</p>	
2	FLD	Meter Point Status Reason	1	Mandatory	<p>Meter Point Status Reason is a code to indicate why the status of a Meter Point is being requested to be changed. The allowed code values for this message are as follows. The table below also indicates which statuses requested by Supplier are able to be requested with an appointment.</p> <p><b>Please note:</b> 017 Messages with a status of E02 are given priority and the work scheduled as soon as possible by Networks. Messages carrying this status reason with an appointment can be rejected using a 137R message if the Appointment Date is the same date as the date of receipt of the 017 message. If the Appointment Date is invalid but in the future, 137R will not issue.</p>	<p>This item must match one of the valid statuses for this code. Message will fail validation if Current Meter Point status held by Networks is <b>D</b> and one of following codes is provided:</p> <ul style="list-style-type: none"> <li><b>D01</b></li> <li><b>D02</b></li> <li><b>D03</b></li> </ul> <p><b>E01 / E02</b> and <b>E03</b> are not rejected if energisation status held by Networks is <b>E</b>.</p>

Retail Market Message Guide – Meter Works

Segment and Field Level Identifier – 017 Message			Rpt	Optionality	Description / Purpose and composition instructions	Validation																					
					<table border="1"> <thead> <tr> <th>Cod e</th> <th>Description</th> <th>Appointment Possible Y/N</th> </tr> </thead> <tbody> <tr> <td>E01</td> <td>Re-energise (Not NPA related)</td> <td>Y</td> </tr> <tr> <td>E02</td> <td>Re-energise (NPA related)</td> <td>Y</td> </tr> <tr> <td>E03</td> <td>Re-energise (Un-metered)</td> <td>N</td> </tr> <tr> <td>D01</td> <td>De-energise (Not NPA related)</td> <td>Y</td> </tr> <tr> <td>D02</td> <td>De-energise (NPA related)</td> <td>N</td> </tr> <tr> <td>D03</td> <td>De-energise (Un-metered)</td> <td>N</td> </tr> </tbody> </table>	Cod e	Description	Appointment Possible Y/N	E01	Re-energise (Not NPA related)	Y	E02	Re-energise (NPA related)	Y	E03	Re-energise (Un-metered)	N	D01	De-energise (Not NPA related)	Y	D02	De-energise (NPA related)	N	D03	De-energise (Un-metered)	N	
Cod e	Description	Appointment Possible Y/N																									
E01	Re-energise (Not NPA related)	Y																									
E02	Re-energise (NPA related)	Y																									
E03	Re-energise (Un-metered)	N																									
D01	De-energise (Not NPA related)	Y																									
D02	De-energise (NPA related)	N																									
D03	De-energise (Un-metered)	N																									
2	FLD	Supplier ID	1	Mandatory	Supplier ID is the identification code of a Supplier. This must be the Supplier to whom the Meter Point is registered.	See Instructions Message will fail validation if this value is omitted or does not match registered Supplier for the Meter Point.																					
2	FLD	Supply Agreement (Flag)	1	See instructions	Supply Agreement is a Boolean True / False flag that denotes the existence of a supply agreement with a customer and should be set to <b>1, i.e. a</b>	No validation of this field																					

**Retail Market Message Guide – Meter Works**

Segment and Field Level Identifier – 017 Message			Rpt	Optionality	Description / Purpose and composition instructions	Validation	
					<b>logical value of True</b> , if there is a Change of Legal entity notified on this message, otherwise it is ignored.		
2	SEG	Party Contact Details		1	See instructions	Party Contact Details provides details such as contact name, organisation and department, telephone, e-mail and/or fax details enabling the party to be contacted. This allows Suppliers / Networks to forward their contact details in case of queries with the message. Networks require at least one contact number to be provided on 017 Meter Works requests in the Phone number 1 field if the Party Contact Details segment is provided (except where Meter Works type equals M04)	No individual validation at segment level
	3	FLD	Phone number 1	1	See instructions	This is the principal phone number of a contact and must be populated if the segment is provided and contact number is known by Sender.	Message will fail validation where this segment is provided but this field is not populated (except where Meter Works Type equals M04)
	3	FLD	Phone Ext1	1	Optional	This is the principal phone number overflow field for storing number extensions where applicable	No individual validation of this field.
	3	FLD	Phone number 2	1	Optional	This field can be used for the secondary phone number where this is required.	No individual validation of this field.

Retail Market Message Guide – Meter Works

Segment and Field Level Identifier – 017 Message			Rpt	Optionality	Description / Purpose and composition instructions	Validation
3	FLD	Phone Ext2	1	Optional	This is the secondary phone number overflow field for storing number extensions where applicable.	No individual validation of this field.
3	FLD	Fax	1	Optional	This field is intended to store a Fax telephone number where applicable	No individual validation of this field.
3	FLD	Fax Ext	1	Optional	This field is intended to store a Fax extension telephone number where applicable	No individual validation of this field.
3	FLD	Email	1	Optional	This field is intended to store electronic mail address details where applicable	No individual validation of this field.
2	FLD	Change of Tenant / Legal Entity	1	Mandatory	Change of Tenant/Legal Entity is a Boolean True / False flag that signifies that a new customer has moved into the Meter Point Address. This flag must only be set to <b>1, i.e. a logical value of True</b> , where Supplier wishes to signify a Change of Legal Entity. This includes all cases where the re-energisation follows a de-energisation for reasons other than NPA. The flag should be set to 0 (False) in all other cases.	Message will fail validation if this flag is not present.  Where this flag is set to <b>1 i.e. a logical value of True</b> the following segment becomes mandatory:  Customer Name Segment
2	FLD	Request Status	1	Mandatory	This item defines the status of the request being made in the message. For 017 messages this must be set to either <b>I</b> - initiate or <b>W</b> - withdrawn. Request status should only be set to <b>W</b> where a previous 017 has been sent and no confirmation of site works has been received back, (306 / 307 and	Mandatory Message will fail validation if item is not set to either <b>I</b> - initiate or <b>W</b> - withdrawn. Request status should only be set to <b>W</b> where a previous 017 has been sent and Supplier wishes to

Retail Market Message Guide – Meter Works

Segment and Field Level Identifier – 017 Message			Rpt	Optionality	Description / Purpose and composition instructions	Validation
					106E / 106D messages) and Supplier wishes to cancel that previous instruction. 017 withdrawn messages should mirror the data sent on the previous 017 in all other respects including the Market Participant Business Reference Number.	cancel that instruction. If an initiated and Withdrawn request cannot be matched on receipt of a withdraw 017 this will be rejected using rejection reason IID.
2	FLD	Appointment Date	1	Optional	The date on which a supplier requests an appointment to be made with the customer. Suppliers can request appointments for the following working day up to <b>1400Hrs</b> on the day of making the appointment and on receipt of the message by Networks when requesting an appointment date. Where an appointment is requested both the Appointment Date and Appointment Time slot must be provided.	Where this item is populated the following validation takes place: <ul style="list-style-type: none"> <li>• Where an appointment is selected for a Meter Point Status Reason for which no appointment is available the appointment will be rejected using a 137R but the work instruction is still carried out.</li> </ul> <p>A 137R Appointment Rejection message will be sent to Supplier if a minimum of notice from receipt of this message by Networks is not provided (See composition notes)</p>
2	FLD	Appointment Time Slot	1	Optional	The requested time period for an appointment. This field must be set to one of the following values where an appointment is requested:	The message will fail validation if this item does not match one of the valid code values.

Retail Market Message Guide – Meter Works

Segment and Field Level Identifier – 017 Message			Rpt	Optionality	Description / Purpose and composition instructions	Validation						
					<table border="1"> <tr> <td><b>A01</b></td> <td>AM (Morning Appointment)</td> </tr> <tr> <td><b>A02</b></td> <td>PM (Afternoon Appointment)</td> </tr> <tr> <td><b>A03</b></td> <td>All-day Appointment</td> </tr> </table> <p>(See Meter Point Status Reason for further rules around appointments).</p>	<b>A01</b>	AM (Morning Appointment)	<b>A02</b>	PM (Afternoon Appointment)	<b>A03</b>	All-day Appointment	
<b>A01</b>	AM (Morning Appointment)											
<b>A02</b>	PM (Afternoon Appointment)											
<b>A03</b>	All-day Appointment											
2	FLD	Access Arrangements	1	Mandatory	<p>Access arrangements are the arrangements provided by a customer specific to a particular request for work. Suppliers should provide as much detail as possible here so as to improve the chances of gaining access to carry out the requested work.</p> <p>Where a meter and/or service removal is also required Suppliers are requested to populate this field with the specific meter and/or service removal requirement.</p> <p>This field must be populated with some form of text even if this is “N/A.”</p>	The message will fail validation (Rejection reason IID) where this field is blank.						
2	FLD	Access Instructions	1	Optional	<p>Access Instructions is text for standing instructions for Networks access to the metering. This field should only be provided by suppliers where they are creating new access instructions at a change of legal entity.</p>	This field is ignored if COLE is flagged as N.						

## Retail Market Message Guide – Meter Works

Segment and Field Level Identifier – 017 Message			Rpt	Optionality	Description / Purpose and composition instructions	Validation
2	FLD	Tariff Configuration Code	1	Optional	Not used post System Separation	No validation on this field
2	FLD	Appointment Id	1	Optional	Not used post System Separation	No validation on this field
2	FLD	Economic Activity Indicator	1	Optional	Economic Activity Indicator is a code indicating the type of activity undertaken by the customer in the premises. This item should only be provided by Suppliers where a Change of Legal entity is being notified on this message and must match one of the allowed values for this code. See list of data codes for valid entries here.	This field is ignored if it does not match one of the allowed values.  Validation to be added at backend system to.
2	FLD	Technical Contact Name	1	See instructions	This is the name of a person available for contacting. This field must be provided where Technical contact details are being provided at COLE.	No individual validation of this field
2	FLD	Company Authorised Officer	1	See instructions	This is a person authorised by a company to sign connection agreements. This item must be sent if the message includes a Change of Legal Entity and involves a company / organisation moving into the premises and it is known by the Supplier.	No individual validation of this field
2	SEG	Technical Contact Details	1	See instructions	This segment refers to the technical contact phone numbers for a technical representative. This segment must be populated where Suppliers are creating new technical contact details for an MPRN at change of legal entity	No individual validation at segment level

**Retail Market Message Guide – Meter Works**

Segment and Field Level Identifier – 017 Message			Rpt	Optionality	Description / Purpose and composition instructions	Validation
3	FLD	Phone number 1	1	See instructions	This is the principal phone number of a Technical contact and must be populated by Supplier	No individual validation of this field
3	FLD	Phone Ext1	1	See instructions	This is the principal phone number overflow field for storing number extensions where applicable	No individual validation of this field
3	FLD	Phone number 2	1	Optional	This field can be used for the secondary phone number where this is required.	No individual validation of this field
3	FLD	Phone Ext2	1	Optional	This is the secondary phone number overflow field for storing number extensions where applicable.	No individual validation of this field
3	FLD	Email	1	Optional	This field is intended to store electronic mail address details where applicable	<p>Message will fail validation if email is not structured to the following rules:                      A mail address may contain the character @ only once                      There must not be a full-stop at the beginning                      There must not be a full stop immediately before the character @                      There must not be a full-stop immediately after the character @                      There must not be a full-stop at the end of the address                      There must not be two subsequent full-stops in the address                      There must be no blank character in the address</p> <p>Where an invalid email address is received on an 017 with CoLE, the message in its entirety will be rejected via MM117R with Reject Reason EMA.</p>



**Retail Market Message Guide – Meter Works**

Segment and Field Level Identifier – 017 Message		Rpt	Optionality	Description / Purpose and composition instructions	Validation		
3	FLD	Fax	1	Optional	This field is intended to store a Fax telephone number where applicable	No individual validation of this field	
3	FLD	Fax Ext	1	Optional	This field is intended to store a Fax extension telephone number where applicable	No individual validation of this field	
2	SEG	Street Type Address (Technical Contact)		1	See instructions	Street type address provides details such as Street Name, House no etc. This segment is mandatory at change of legal entity where a street type address is being provided as part of Technical Contact details.	No individual validation at segment level
3	FLD	C/O Name	1	Optional	This is the name to which correspondence can be addressed where this is different to the contact name.	No individual validation of this field	
3	FLD	Unit No.	1	Optional	This field can be used to populate information relating to the unit, flat or apartment number that can be part of an address	No individual validation of this field	
3	FLD	Addr Line 1	1	Optional	This field can be used as overflow for address details	No individual validation of this field	
3	FLD	Addr Line 2	1	Optional	This field can be used as overflow for address details	No individual validation of this field	
3	FLD	House No.	1	Optional	This can be used to populate the number of a premises given as part of an address	No individual validation of this field	

**Retail Market Message Guide – Meter Works**

Segment and Field Level Identifier – 017 Message			Rpt	Optionality	Description / Purpose and composition instructions	Validation
3	FLD	Street	1	Mandatory	This field stores information relating to the street part of an address and must be populated where street type address is being provided.	Message will fail validation where the segment is provided and this field is omitted.
3	FLD	Addr Line 4	1	Optional	This field can be used as overflow for address details	No individual validation of this field
3	FLD	Addr Line 5	1	Optional	This field can be used as overflow for address details	No individual validation of this field
3	FLD	Postal Code	1	Optional	<p>This is the Postal Code given as part of an address where appropriate. Ireland has implemented a Postal Code system called Eircode and where available it is recommended that these Postal Codes for Technical Contact Details are communicated in Market Messages.</p> <p>They should conform to the Eircode structure A65F4E2 (there is one allowable exception for the first three characters viz.D6W) where each Eircode is comprised of seven uppercase alpha/numeric characters.</p>	No individual validation of this field
3	FLD	City	1	Optional	Used to populate the details of which City an address resides in where appropriate	No individual validation of this field
3	FLD	County - Ireland	1	See instructions	A field denoting the county in Ireland in which an address resides. This field must be populated if the Technical contact address is in Ireland See the list	This item must match one of the allowed code values where this item is populated. See Data codes

Retail Market Message Guide – Meter Works

Segment and Field Level Identifier – 017 Message		Rpt	Optionality	Description / Purpose and composition instructions	Validation	
				of data codes for permissible values here.	for allowed list of Irish Counties codes.	
3	FLD	County / State	1	Optional	This denotes the county in which an address is situated. This is a free text 40 character field for use in non – Irish Addresses.	No individual validation of this field.
3	FLD	Country	1	See instructions	A field that makes up part of an address denoting in which country the address resides. See the list of data codes for permissible values here. This field must be populated where a Technical Contact Address is provided.	A field that makes up part of an address denoting in which country the address resides. See the list of data codes for permissible values here. Message will fail validation if Street Type Address (Technical contact) Segment is provided and this item is omitted.
2	FLD	Medical Equipment Special Needs Details	0..1	See Instructions	A code indicating the type of medical equipment special needs that a customer has. This item must be provided by Suppliers where they are notifying a change of Legal Entity and the customer moving in has Medical Equipment Special Needs. The allowed values to be used by Suppliers are as follows: <b>03</b> – Life Support <b>04</b> – Non Life Support <b>05</b> - Medical Institution	Where COLE flagged as Y and this item is populated - This message will fail validation if item does not match one of permissible values.
2	FLD	Display on Extranet	0..1	See	A Boolean message flag to indicate whether the Priority Services Register code(s) for the MPRN	No individual validation of this field

Retail Market Message Guide – Meter Works

Segment and Field Level Identifier – 017 Message			Rpt	Optionality	Description / Purpose and composition instructions	Validation
				Instructions	should be displayed on the ROI MP Extranet and the DOM\$_CUST Downloadable Meter Point Details File. This field is mandatory if either Medical Equipment Special Needs codes 0003 or 0004 are populated on this message and this flag should be 'Y' or 'N'.	
2	SEG	Customer Service Special Needs	0..N	Optional	Add new segment to carry one or more Customer Special Needs Codes	
3	FLD	CustomerServiceDetails Code	1..N	Mandatory	<p>A code or set of codes indicating the type of special customer service need(s) that a customer has.</p> <p>If the customer has special customer service needs then the relevant code or codes should be selected from the following:</p> <ul style="list-style-type: none"> <li>• <b>0001</b> Visually Impaired</li> <li>• <b>0002</b> Speech Impaired</li> <li>• <b>0003</b> Hearing Impaired</li> <li>• <b>0004</b> Elderly</li> <li>• <b>0005</b> Language Difficulty</li> <li>• <b>0006</b> Learning Difficulty</li> </ul>	<p>One or more customer special needs codes as provided by the Supplier will be validated against the permitted list. If the message is fully valid, then a 306 or 307 market message will issue but will not specifically list the code or codes provided (as today for a single code). If any of the codes provided is invalid, then a 117R market message will issue with a single Reject Reason Code of DIJ.</p> <p>Where COLE flagged as Y and this item is populated - this message will fail validation if supplied code or set of codes does not match the permissible values.</p>

Retail Market Message Guide – Meter Works

Segment and Field Level Identifier – 017 Message			Rpt	Optionality	Description / Purpose and composition instructions	Validation
					<ul style="list-style-type: none"> <li>• <b>0007</b> Mobility Impaired</li> <li>• <b>0008</b> Dexterity Impaired</li> <li>• <b>0009</b> Mental Health</li> <li>• <b>0010</b> Other</li> </ul> <p>New code 0010 Other is included in the schema but should not be selected by Market Participants.</p>	<p>New code 0010 Other is included in the schema but should not be selected by Market Participants</p> <p>Where the code 0010 Other is submitted on an 017, the message, in its entirety, will be rejected using the 117R , with the Reject Reason Code IID.</p>
2	FLD	Market Participant Business Reference	1	Mandatory	This is the Suppliers number given as reference in the request. This will be used in future contact with Suppliers to reference the request. Where a message is sent to withdraw a request then the reference number provided on the initiating and withdrawing request must be the same.	Message will fail validation if this item is not provided (Rejection reason IID).
2	FLD	Required Date	1	Optional	If this field is omitted a date as soon as possible is assumed by Networks.	No individual validation of this field
2	SEG	Smart Data Services	0..1	Optional	Segment to carry Smart Data Services	<p>Once there are Smart Data Services this segment must be present otherwise the message will be rejected on 117R with Reject Reason Code SCI</p> <p>This segment is only valid where a smart Meter is present and Meter Point Status on the message is E otherwise the message in its</p>

Retail Market Message Guide – Meter Works

Segment and Field Level Identifier – 017 Message			Rpt	Optionality	Description / Purpose and composition instructions	Validation
						entirety will be rejected on 117R with Reject Reason Code NSM
3	FLD	Smart Data Services Code	1	Mandatory	<p>This field is populated where a Smart Data Service is being requested</p> <p>The valid codes are: .</p> <p>01 - Interval Services</p> <p>02 - Non Interval Services</p>	<p>Where the Smart Data Service Code field is populated - this message will fail validation if :</p> <p>Where the Smart Data Service Code is populated and the smart meter is MCC02, the 117R will issue with Reject reason code 'IA'.</p> <p>Both the Smart Data Services Code and Smart Non Participation Code are populated, the 117R will issue with Reject Reason Code ISR</p> <p>The Smart Data Services Code value requested is not supported by the CTF value i.e.</p> <p>If the value of the Smart Data Services Code field is 01 then CTF must be 03 or 04</p> <p>If the value of the Smart Data</p>

Retail Market Message Guide – Meter Works

Segment and Field Level Identifier – 017 Message		Rpt	Optionality	Description / Purpose and composition instructions	Validation						
					<p>Services Code field is 02 then CTF must be 01,02,03 or 04</p> <p>Otherwise a 117R will issue with Reject Reason Code SCI.</p>						
3	FLD	1	Mandatory	The Meter Configuration Code (Required) is a code on a message to the supplier to indicate the functionality required by the Supplier to be delivered by the combination of registers physically installed at a meter point. It does not describe the technical attributes of the meter(s).	<p>Message will fail validation and 117R will issue with Reject Reason Code SCI where:</p> <p>The required MCC does not correspond with the relevant Smart Data Services Code Field</p> <p>or</p> <p>The MCC specified is a Legacy MCC</p> <p>Allowable Combinations:</p> <table border="1"> <thead> <tr> <th>Smart Data Service Code</th> <th>Required MCC</th> </tr> </thead> <tbody> <tr> <td>Interval Data Service (01)</td> <td>MCC12</td> </tr> <tr> <td>Non Interval</td> <td>MCC16</td> </tr> </tbody> </table>	Smart Data Service Code	Required MCC	Interval Data Service (01)	MCC12	Non Interval	MCC16
Smart Data Service Code	Required MCC										
Interval Data Service (01)	MCC12										
Non Interval	MCC16										

Retail Market Message Guide – Meter Works

Segment and Field Level Identifier – 017 Message		Rpt	Optionality	Description / Purpose and composition instructions	Validation		
					<table border="1"> <tr> <td>Data Service(02)</td> <td></td> </tr> </table> <p>Message will fail validation and 117R will issue with Reject Reason Code IMF where:</p> <p>New MCC's 13 ,14, 15, 17,18,19,20 are included in the schema but should not be selected by Market Participants</p> <p>Where any of the MCC's 13 ,14, 15, 17,18,19,20 are submitted on an 017, the message, in its entirety, will be rejected using the 117R, with the Reject Reason Code IMF</p>	Data Service(02)	
Data Service(02)							
2	FLD	Smart Non Participation Code	1	Optional	<p>A code indicating the type of Smart Non Participation customer detail to be removed.</p> <p>The relevant code should be selected from the following:</p> <p style="padding-left: 40px;">02 - Non - Technical Non Participation 03 - Multiple Visits No Access</p> <p>If Meter Point Status on the message is E then Smart Non Participation code, as provided by the Supplier, will be validated against the permitted list . If the message is fully valid, then a 114 market message will issue. If the code provided is invalid, then a 117R market message will issue</p>		



**Retail Market Message Guide – Meter Works**

Segment and Field Level Identifier – 017 Message		Rpt	Optionality	Description / Purpose and composition instructions	Validation
					<p>with a Reject Reason Code of SNP</p> <p>If the Meter Point Status on the message is D and Smart Non Participation code is provided then a 117R market message will issue with a Reject Reason Code of SNP.</p> <p>Only the removal of 02 and 03 codes is permissible.</p> <p>Where removal of Smart Non Participation code is requested as part of a request for Re-Energisation with CoLE then a 117R will issue with reason code SNP.</p>

### 1.10 117D Change in Energisation Status Delay

#### Purpose / Description of message

The 117D Change of Energisation Status Delay message is sent by the ESB Networks business to Market registered Supplier to advise them that there is a delay in carrying out their request to change the energisation status at a meter point sent on a 017 message.

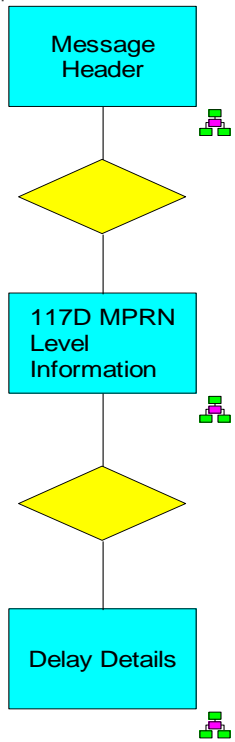
The 117D is sent on receipt of a 017 in the following circumstances:

- Completion Certificate required
- Connection Agreement required
- Application Form required
- Further investigation

Message 117D is used in the following Market Process:

Process Number and Title		Use of Message
MPD 10	Re-energisation	To notify a delay in carrying out a request to change the energisation status to 'E'

### Data hierarchy diagram



### Message Structure

This section describes the structure of the 117D message. The purpose of the message segments and data items is explained and any rules for composition outlined.

Retail Market Message Guide – Meter Works

Segment and Field Level Identifier – 117D Message			Rpt	Optionality	Description / Purpose and composition instructions								
1 Message Header			1	Mandatory	<i>Refer to common data segments document</i>								
1 Meter Point Details			1	Mandatory									
2	FLD	MPRN	1	Mandatory	The unique identifying reference number for the Meter Point to be registered. All elements of MPRN will be provided.								
2	SEG	Delay Details	1..N	Mandatory	An instance of this segment is provided for each Delay reason provided.								
3	FLD	Delay Reason	1	Mandatory	<p>Delay Reason will provide details of the reason for delays in performing requests for changes to energisation status requested by the supplier. At least one delay reason will be provided. The following are valid Delay Reasons for this message:</p> <table border="1"> <tr> <td><b>DE01</b></td> <td>Completion Certificate required</td> </tr> <tr> <td><b>DE02</b></td> <td>Connection Agreement required</td> </tr> <tr> <td><b>DE03</b></td> <td>Application Form required</td> </tr> <tr> <td><b>DE04</b></td> <td>Further investigation</td> </tr> </table>	<b>DE01</b>	Completion Certificate required	<b>DE02</b>	Connection Agreement required	<b>DE03</b>	Application Form required	<b>DE04</b>	Further investigation
<b>DE01</b>	Completion Certificate required												
<b>DE02</b>	Connection Agreement required												
<b>DE03</b>	Application Form required												
<b>DE04</b>	Further investigation												
2	FLD	Request Status	1	Mandatory	This item defines the status of the request being made in the message. For 117D messages this will always be set to <b>I</b> - initiate.								
2	FLD	Market Participant Business Reference	1	Mandatory	This is the number that was given as reference on the 017 message. It will be referenced back here on the 117D message.								

### **1.11 117R Meter Point Status Request Rejection**

#### **Purpose / Description of message**

The 117R Meter Point Status Request Rejection message is sent by the ESB Networks business to Supplier to reject a requested change to the energisation status at a meter point that was notified by that Supplier on a 017 message.

The 117R is sent on receipt of a 017 in the following circumstances:

- Where an invalid MPRN is sent on the 017
- Where an MPRN with an invalid MPRN status is sent on the 017. (See rules on 017)
  - The 017 message will always be rejected where the MPRN is found to carry a status of terminated
  - The 017 would also be rejected where the MPRN is found to carry the same status as is being requested in certain circumstances (See 017 Meter Point Status validation instructions).
- Where the Supplier ID sent on the 017 is not known
- Where the Supplier is found not to be the Registered Supplier for the MPRN provided on the 017
- Where a Change of Supplier is found to be in progress.
- Where Incorrect / Incomplete data is sent on the 017.
- Where a change of MIC is detected at the Meter Point.

## Retail Market Message Guide – Meter Works

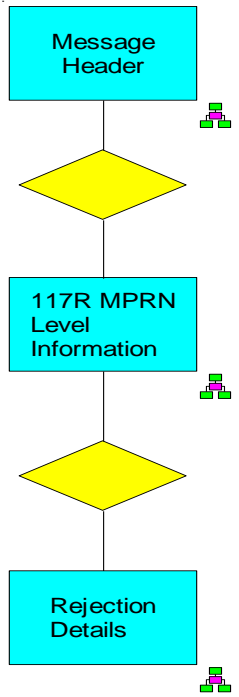
- Where the CustomerServiceDetailsCode 0010 Other is submitted on an 017, the message, in its entirety, will be rejected using the 117R , with the Reject Reason Code IID.
- Where there is a request for Smart Data Services and a smart Meter is not present the message in its entirety will be rejected on 117R with Reject Reason Code NSM.
- Where the request for Smart Data Services and the requested MCC are not consistent the message in its entirety will be rejected using the 117R , with the Reject Reason Code SCI.
- Where any of the MCC's 13 ,14, 15, 17,18,19,20 included in the schema are submitted on an 017, the message, in its entirety, will be rejected using the 117R , with the Reject Reason Code IMF.
- Where there is a request for Smart Non Participation changes and a smart Meter is present the message in its entirety will be rejected using the 117R , with the Reject Reason Code SNP.
- Where there is a request to remove a Smart Non Participation Code and the Meter Point Status field is D on the 017MM the message in its entirety will be rejected on 117R with Reject Reason Code SNP.
- Where there is a request for Smart Data Services and the Meter Point Status field is D on the 017MM the message in its entirety will be rejected on 117R with Reject Reason Code SCI.
- Where the Smart Data Service Code and Smart Non Participation Code is present on the 017MM, the message in its entirety will be rejected on 117R with Reject Reason Code ISR.
- Where invalid email address is received on the 017MM with CoLE the message in its entirety will be rejected on 117R with Reject Reason Code EMA.
- Where there is a request for Re-energisation via MM017 and Smart Data Services are present at the MPRN, but are not populated on the MM017, the message in its entirety will be rejected on 117R with Reject Reason Code SCI.
- Where there is a request for a Re-energisation with CoLE via MM017 and removal of Smart Non Participation Code is also requested, the message in its entirety will be rejected on 117R with reason code SNP.

## Retail Market Message Guide – Meter Works

Message 117R is used in the following Market Processes:

Process Number and Title		Use of Message
MPD 9	De-energisation	To notify a rejection of a request to change the meter point status to 'D'
MPD 10	Re-energisation	To notify a rejection of a request to change the meter point status to 'E'

Data Hierarchy Diagram





**Message Structure**

This section describes the structure of the 117R message. The purpose of the message segments and data items is explained and any rules for composition outlined.

Segment and Field Level Identifier – 117R Message			Rpt	Optionality	Description / Purpose and composition instructions
1	Message Header		1	Mandatory	<i>Refer to common data segments document</i>
1	Meter Point Details		1	Mandatory	
2	FLD	MPRN	1	Mandatory	The unique identifying reference number for the Meter Point to be registered. All elements of MPRN will be provided.
2	SEG	Rejection Details	1..N	Mandatory	<p>An instance of this segment is provided for each rejection reason provided.</p> <p>Only one reject reason will be populated in the following scenarios</p> <ul style="list-style-type: none"> <li>• Where the CustomerServiceDetailsCode 0010 Other is submitted on an 017, the message, in its entirety, will be rejected with the Reject Reason Code IID.</li> <li>• Where there is a request for Smart Data Services and the Meter Point Status field is D on the 017MM the message in its entirety will be rejected on 117R with Reject Reason Code SCI.</li> <li>• Where there is a request for Smart Data Services and a smart Meter is not present the message in its entirety will be</li> </ul>

Retail Market Message Guide – Meter Works

Segment and Field Level Identifier – 117R Message			Rpt	Optionality	Description / Purpose and composition instructions
					<p>rejected on 117R with Reject Reason Code NSM.</p> <ul style="list-style-type: none"> <li>Where the request for Smart Data Services and the requested MCC are not consistent the message in its entirety will be rejected using the 117R, with the Reject Reason Code SCI.</li> <li>Where any of the MCC's 13 ,14, 15, 17,18,19,20 included in the schema are submitted on an 017, the message, in its entirety, will be rejected using the 117R, with the Reject Reason Code IMF.</li> <li>Where there is a request for Smart Non Participation changes and a smart Meter is present the message in its entirety will be rejected on 117R with Reject Reason Code SNP.</li> <li>Where there is a request to remove a Smart Non Participation Code and the Meter Point Status field is D on the 017MM the message in its entirety will be rejected on 117R with Reject Reason Code SNP.</li> <li>Where both the Smart Data Service Code and Smart Non Participation Code are populated, 117R will issue with Reject Reason Code ISR</li> <li>Where Smart Data Services exist but haven't been requested, the message in its entirety will be rejected on 117R with Reject Reason Code SCI.</li> <li>Where an invalid email is received on an 017 with CoLE, the message in its entirety will be rejected on 117R with Reject</li> </ul>

Retail Market Message Guide – Meter Works

Segment and Field Level Identifier – 117R Message			Rpt	Optionality	Description / Purpose and composition instructions
					<p>Reason Code EMA.</p> <ul style="list-style-type: none"> <li>Where there is a request for a Re-energisation with CoLE via MM017 and removal of Smart Non Participation Code is also requested, 117R will issue with reason code SNP.</li> <li>Where there is a request for Smart Data Services and the smart meter is MCC02, the 117R will issue with Reject reason code 'IA'.</li> </ul>
3	FLD	Reject Reason	1	Mandatory	<p>Reject Reason is a code to identify why data was rejected. The valid reject reasons for this message are as follows:</p> <p><b>IMP</b> - Invalid MPRN (MPRN does not exist or is for a Grouped Un-metered site) or is invalid for this jurisdiction</p> <p><b>IMS</b> - Invalid MPRN status</p> <p><b>SNK</b> - Supplier not known</p> <p><b>SNR</b> - Supplier Not registered to MPRN</p> <p><b>CIP</b> - CoS in progress</p> <p><b>IID</b> - Incorrect/Incomplete data</p> <p><b>IA</b> – Invalid Action</p> <p><b>IA</b> – Invalid Action - Where there is a request for Smart Data Services and the smart meter is MCC02.</p>

Retail Market Message Guide – Meter Works

Segment and Field Level Identifier – 117R Message	Rpt	Optionality	Description / Purpose and composition instructions
			<p>A de-energisation NPA (D02) request has been made for where either:</p> <ul style="list-style-type: none"> <li>• A vulnerable customer registered on the Priority Services Register (Medical Equipment Special Needs Life-Support and Non-life Support) for all year around</li> </ul> <p>Or</p> <ul style="list-style-type: none"> <li>• A vulnerable customer registered on the Special Services Register (Customer Services Special Needs) from 1st November to 31st March</li> </ul> <p><b>IMF</b> - Invalid Meter Configuration code</p> <p><b>SCI</b> –Smart Configuration Invalid</p> <p><b>NSM</b> –No Smart Meter</p> <p><b>ISR</b> – Inconsistent Service Request</p> <p><b>EMA</b> - Invalid Email Address</p> <p><b>MIC</b> - MIC Change detected</p> <p><b>IID</b> – CoLE = 'N' and ESN systems indicate no customer at the site</p> <p><b>DIJ</b> – data invalid for jurisdiction (DIJ remains in the schema post System Separation)</p>

## Retail Market Message Guide – Meter Works

Segment and Field Level Identifier – 117R Message			Rpt	Optionality	Description / Purpose and composition instructions
					<b>SNP</b> – Smart Non Participation details invalid
2	FLD	Request Status	1	Mandatory	This item defines the status of the request being made in the message. For 117R messages this will be set to I - initiate.
2	FLD	Market Participant Business Reference	1	Mandatory	This is the number that was given as reference on the 017 message. It will be referenced back here on the 117R message.

### 1.12 030 Meter Works Request

#### Purpose / Description of message/Validation

The 030 message is sent by Supplier to the ESB Networks business to request Meter works at a Meter Point to which they are the Registered Supplier. DSO will undertake validation of the message at segment and field level

The following types of meter works can be requested on this message:

- Request for a new Meter Configuration at a Meter Point
- Request for a special test in-situ at a Meter Point
- Request for a major Meter test at a Meter Point
- Requests to Install Interval Metering and Communications Metering at a Meter Point

**Retail Market Message Guide – Meter Works**

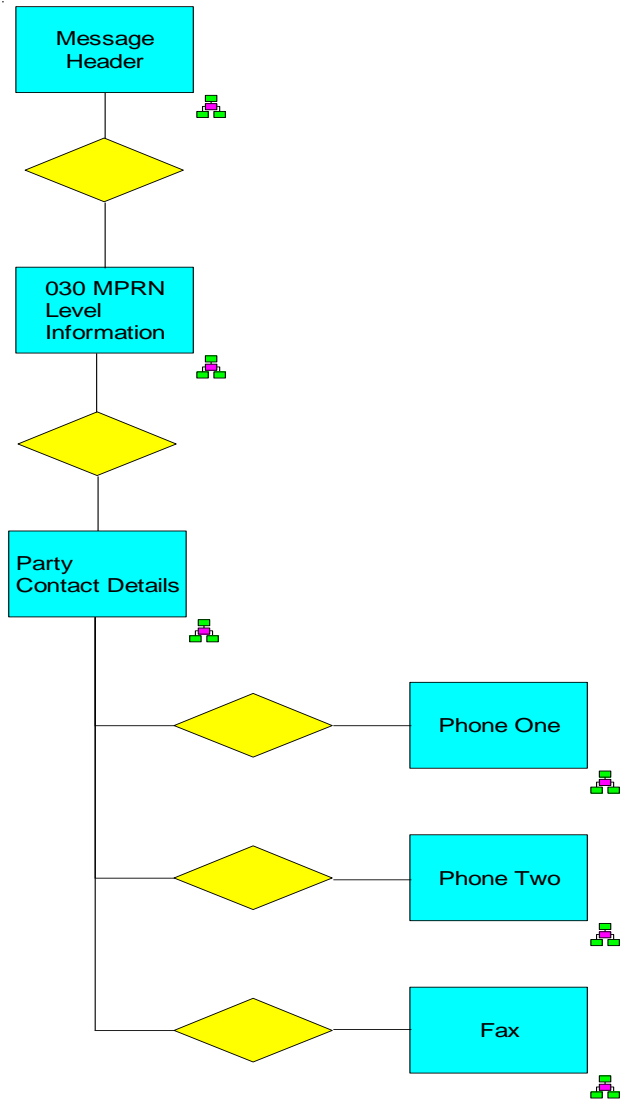
- Requests to exchange MD for Multi Function Metering (MFM) plus signals
- Requests to install signals at a Meter Point with existing MFM
- Requests to remove token metering at a Meter Point
- Requests to install token metering at a Meter Point
- Request to exchange a token meter at a Meter Point
- Requests to reset or check token meter installed at a Meter Point.

**Please note:** Meter Works requests involving Token meters are not selectable by non PES Suppliers.

Message 030 is used in the following Market Processes:

Process Number and Title		Use of Message
MPD 11	Changes to Meter Configuration	To request a change of meter configuration
MPD 35	Change of metering from Non Interval to Interval	To request a change of metering from Non Interval to Interval

Data Hierarchy Diagram



## Retail Market Message Guide – Meter Works

### Message Structure/Validation

Segment and Field Level Identifier – 030 Message			Rpt	Optionality	Description / Purpose and composition instructions	Validation
1 Message Header			1	Mandatory	<i>Refer to common data segments document</i>	
1 Meter Point Details			1	Mandatory		
2	FLD	MPRN	1	Mandatory	The unique identifying reference number for the Meter Point. All elements of MPRN must be provided.	Mandatory Message will fail validation if all elements of MPRN are not provided. If an open change of Supplier is detected for the MPRN a 130R is sent rejecting the 030 request.
2	FLD	Market Participant Business Reference	1	Mandatory	This is the Suppliers number given as reference in the request. This will be used in future contact with Suppliers to reference the request. Where a message is sent to withdraw a request then the reference number provided on the initiating and withdrawing request must be the same.	Message will fail validation if this reference number is not provided.
2	FLD	Token Meter Details	1	See instructions	<p>Token meter details relate to token meter information used by a site operative to program token meters. This information is made up of values for total debt, emergency credit and recovery rate. This field is only to be populated where a token meter is installed or is requested to be installed.</p> <p>The field is made up as follows:</p> <ul style="list-style-type: none"> <li>The first set of values are equal to currency - EUR (Char 3)</li> </ul>	Message will fail validation where Meter works type is equal to <b>M08</b> , <b>M09</b> or <b>M10</b> and this item is not provided.



Retail Market Message Guide – Meter Works

Segment and Field Level Identifier – 030 Message			Rpt	Optionality	Description / Purpose and composition instructions	Validation									
					<ul style="list-style-type: none"> <li>The second set of values are Total amount of debt (Num 7)</li> <li>The third set of values are Weekly Instalment (Num 6)</li> <li>The fourth set of values are Emergency Credit (Num 6)</li> <li>For all numbers it is assumed that the last two digits fall to the right of the decimal place.</li> </ul>										
2	FLD	Meter Works Type	1	Mandatory	<p>Meter Works Type is a code to indicate what work is required. Suppliers must select from the list of permitted meter works types below:</p> <table border="1"> <thead> <tr> <th>Code</th> <th>Description</th> <th>Appointment possible Y/N</th> </tr> </thead> <tbody> <tr> <td>M01</td> <td>New MCC</td> <td>Dependant on specific work instruction being requested also where permits, wiring certificates or Application forms required no appointment is available.</td> </tr> <tr> <td>M02</td> <td>Special test in-situ</td> <td>Y</td> </tr> </tbody> </table>	Code	Description	Appointment possible Y/N	M01	New MCC	Dependant on specific work instruction being requested also where permits, wiring certificates or Application forms required no appointment is available.	M02	Special test in-situ	Y	<p>Mandatory Message will fail validation where this item is not populated with a valid Meter works type code.</p> <p>Message will fail where a Meter Works Type of “05 - Exchange MD for MFM plus signals” is requested and where the following rule applies:</p> <ul style="list-style-type: none"> <li>If the current MCC at the MPRN is not MCC05, MCC06, MCC10 or MCC11,</li> </ul>
Code	Description	Appointment possible Y/N													
M01	New MCC	Dependant on specific work instruction being requested also where permits, wiring certificates or Application forms required no appointment is available.													
M02	Special test in-situ	Y													

Retail Market Message Guide – Meter Works

Segment and Field Level Identifier – 030 Message			Rpt	Optionality	Description / Purpose and composition instructions			Validation																						
					<table border="1"> <tr> <td><b>M03</b></td> <td>Major Meter test</td> <td>N</td> </tr> <tr> <td><b>M04</b></td> <td>Install Interval Metering and Communications</td> <td>N</td> </tr> <tr> <td><b>M05</b></td> <td>Exchange MD for MFM plus signals</td> <td>N</td> </tr> <tr> <td><b>M06</b></td> <td>Install signals - existing MFM</td> <td>N</td> </tr> <tr> <td><b>M07</b></td> <td>Remove token meter</td> <td>Y</td> </tr> <tr> <td><b>M08</b></td> <td>Install token meter</td> <td>Y</td> </tr> <tr> <td><b>M09</b></td> <td>Token meter fault / Exchange</td> <td>Y</td> </tr> <tr> <td><b>M10</b></td> <td>Reset token meter</td> <td>Y</td> </tr> </table>	<b>M03</b>	Major Meter test	N	<b>M04</b>	Install Interval Metering and Communications	N	<b>M05</b>	Exchange MD for MFM plus signals	N	<b>M06</b>	Install signals - existing MFM	N	<b>M07</b>	Remove token meter	Y	<b>M08</b>	Install token meter	Y	<b>M09</b>	Token meter fault / Exchange	Y	<b>M10</b>	Reset token meter	Y	<p>- OR -</p> <ul style="list-style-type: none"> <li>If the current MCC at the MPRN is MCC10 or MCC11 but the DUoS Group is DG5.</li> </ul> <p>Message will fail where a Meter Works Type of “01 – New MCC” is requested and where the following rule applies:</p> <ul style="list-style-type: none"> <li>If the Current MCC at the MPRN is MCC12 or MCC16 and MCC01 is requested</li> <li>If there is a Smart Meter installed and the Supplier requests an MCC that requires a change to Smart Data Services</li> </ul>
<b>M03</b>	Major Meter test	N																												
<b>M04</b>	Install Interval Metering and Communications	N																												
<b>M05</b>	Exchange MD for MFM plus signals	N																												
<b>M06</b>	Install signals - existing MFM	N																												
<b>M07</b>	Remove token meter	Y																												
<b>M08</b>	Install token meter	Y																												
<b>M09</b>	Token meter fault / Exchange	Y																												
<b>M10</b>	Reset token meter	Y																												

Retail Market Message Guide – Meter Works

Segment and Field Level Identifier – 030 Message			Rpt	Optionality	Description / Purpose and composition instructions	Validation
						The rejection message will carry a Reject Reason Code of “IMF - Invalid Meter Configuration code”.
2	FLD	Meter Configuration Code	1	See instructions	Meter Configuration Code is a code to indicate the functionality required by the Supplier to be delivered by the combination of registers physically installed at a meter point. It does not describe the technical attributes of the meter.	Message will fail validation where Meter Works Type is set to <b>M01</b> and a valid MCC code is not provided.
2	FLD	Supplier ID	1	Mandatory	Supplier ID is the identification code of a Supplier. This must be the Supplier to whom the Meter Point is registered.	Message will fail validation where a valid Supplier ID to which the Meter Point is registered is not provided.
2	SEG	Party Contact Details	1	See instructions	Party Contact Details provides details such as contact name, organisation and department, telephone, e-mail and/or fax details enabling the party to be contacted. This allows Suppliers to forward their contact details in case of queries with the work instruction. Networks require at least one contact number to be provided on 030 Meter Works requests in the Phone number 1 field if the Party Contact Details segment is provided (except where Meter Works type equals M04	No individual validation at segment level

**Retail Market Message Guide – Meter Works**

Segment and Field Level Identifier – 030 Message			Rpt	Optionality	Description / Purpose and composition instructions	Validation
3	FLD	Phone number 1	1	See instructions	This is the principal phone number of a contact in Supply and must be populated if the segment is provided (except where Meter Works type equals M04)	Message will fail validation where this segment is provided but this field is not populated (except where Meter Works Type equals M04)
3	FLD	Phone Ext1	1	See instructions	This is the principal phone number overflow field for storing number extensions	No individual validation of this Field
3	FLD	Phone number 2	1	Optional	This field can be used for the secondary phone number where	No individual validation of this Field
3	FLD	Phone Ext2	1	Optional	This is the secondary phone number overflow field	No individual validation of this Field
3	FLD	Fax	1	Optional	This field is intended to store a Fax	No individual validation of this Field
3	FLD	Fax Ext	1	Optional	This field is intended to	No individual validation of this Field
3	FLD	Email	1	Optional	This field is intended to store electronic mail address details where	No individual validation of

Retail Market Message Guide – Meter Works

Segment and Field Level Identifier – 030 Message			Rpt	Optionality	Description / Purpose and composition instructions	Validation
					applicable	this Field.
2	FLD	Request Status	1	Mandatory	This item defines the status of the request being made in the message. For 030 messages this must be set to either <b>I</b> - initiate or <b>W</b> - withdrawn. Request status should only be set to <b>W</b> where a previous 030 has been sent and Supplier wishes to cancel that instruction and no confirmation of work completion has been received on a 332 or 331.	Message will fail validation where this item is not populated with the Value <b>I</b> = Initiate or <b>W</b> = Withdraw. If an initiated and Withdrawn request cannot be matched on receipt of a withdraw 030 this will be rejected using rejection reason IID.
2	FLD	Appointment Date	1	Optional	The date on which a supplier requests an appointment to be made with the customer. Suppliers can request appointments for the following working day up to <b>1400Hrs</b> on the day of making the appointment and on receipt of the message by Networks when requesting an appointment date. Appointments are only valid for certain Meter works types (See Meter Works Type composition instructions for a list of those available for appointment). Where an appointment is requested both the Appointment Date and the Appointment Time Slot must be provided.	Where this item is populated the following validation takes place: <ul style="list-style-type: none"> <li>• A 137R Appointment Rejection message will be sent to Supplier if a minimum of notice from receipt of this message by Networks is not provided (See composition notes and 137R Instructions)</li> </ul>

Retail Market Message Guide – Meter Works

Segment and Field Level Identifier – 030 Message			Rpt	Optionality	Description / Purpose and composition instructions	Validation						
						Appointment selection will be ignored if an appointment is selected for a Meter Works type unavailable for appointment.						
2	FLD	Appointment Time Slot	1	Optional	<p>The requested time period for an appointment. This field must be set to one of the following values where an appointment is requested:</p> <table border="1"> <tr> <td><b>A01</b></td> <td>AM (Morning Appointment)</td> </tr> <tr> <td><b>A02</b></td> <td>PM (Afternoon Appointment)</td> </tr> <tr> <td><b>A03</b></td> <td>All-day Appointment</td> </tr> </table>	<b>A01</b>	AM (Morning Appointment)	<b>A02</b>	PM (Afternoon Appointment)	<b>A03</b>	All-day Appointment	The message will fail validation if this item does not match one of the valid code values.
<b>A01</b>	AM (Morning Appointment)											
<b>A02</b>	PM (Afternoon Appointment)											
<b>A03</b>	All-day Appointment											
2	FLD	Access Arrangements	1	Mandatory	<p>Access arrangements are the arrangements provided by a customer specific to a particular request for work. Suppliers should provide as much detail as possible here so as to improve the chances of gaining access to carry out the requested work. This field must be populated with some form of text even if this is “N/A.”</p> <p>Where a Budget Controller is installed at the site, this field has an extended use in that it allows Suppliers to set and reset the financial status, rates and contact details for the installation. In these circumstances, this field must be composed as follows:</p>	The message will fail validation if this field is left blank by Supplier.						

Retail Market Message Guide – Meter Works

Segment and Field Level Identifier – 030 Message			Rpt	Optionality	Description / Purpose and composition instructions	Validation																								
					<table border="1"> <thead> <tr> <th>Unit</th> <th>Format</th> <th>Rate</th> <th>Max Value</th> </tr> </thead> <tbody> <tr> <td>Rate 1</td> <td>R1_xx.xx</td> <td>Cent</td> <td>99.99</td> </tr> <tr> <td>Rate 2</td> <td>R2_xx.xx</td> <td>Cent</td> <td>99.99</td> </tr> <tr> <td>Standing charge*</td> <td>SC/wk_XX.xx</td> <td>Euro</td> <td>99.99</td> </tr> <tr> <td>Contact 1</td> <td>T_XXXXXXXXXX</td> <td>Telephone Number</td> <td></td> </tr> <tr> <td>Contact 2</td> <td>T_XXXXXXXXXX</td> <td>Telephone Number</td> <td></td> </tr> </tbody> </table> <p>* Calculated on a weekly basis. Should include all fixed charges including PSO levy, if applicable.</p>	Unit	Format	Rate	Max Value	Rate 1	R1_xx.xx	Cent	99.99	Rate 2	R2_xx.xx	Cent	99.99	Standing charge*	SC/wk_XX.xx	Euro	99.99	Contact 1	T_XXXXXXXXXX	Telephone Number		Contact 2	T_XXXXXXXXXX	Telephone Number		
Unit	Format	Rate	Max Value																											
Rate 1	R1_xx.xx	Cent	99.99																											
Rate 2	R2_xx.xx	Cent	99.99																											
Standing charge*	SC/wk_XX.xx	Euro	99.99																											
Contact 1	T_XXXXXXXXXX	Telephone Number																												
Contact 2	T_XXXXXXXXXX	Telephone Number																												
2	FLD	Tariff Configuration Code	1	Optional	Not used post System Separation	No individual validation of this Field																								
2	FLD	Appointment ID	1	Optional	Not used post System Separation	No individual validation of this Field																								
2	FLD	Prepayment Type	1	Optional	Not used post System Separation	No individual validation of this Field																								

## **Retail Market Message Guide – Meter Works**

### **Additional Validation:**

The 030 message will also fail validation if the Meter Point Status = 'D'. Refer to 'IID' Rejection Reason Code on 130R message.



### 1.13 130D Meter Works Request Delayed

#### Purpose / Description of message

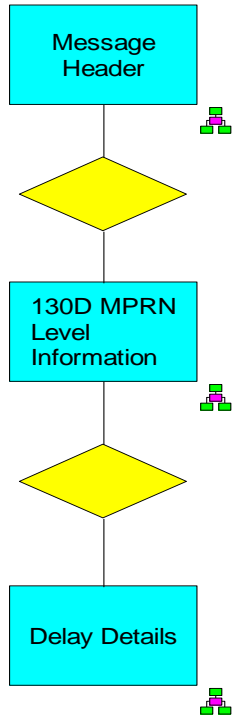
The 130D Meter Works Request Delayed message is sent by the ESB Networks business to Market registered Suppliers to notify them of a delay to meter works requested on a 030 at a meter point to which they are the appointed Supplier. Meter Works requests can be delayed in the following circumstances:

- Completion (Wiring) Certificate required
- Connection Agreement required
- Application Form required
- Further investigation

Message 130D is used in the following Market Processes:

Process Number and Title		Use of Message
MPD 11	Changes to Meter Configuration	To notify a supplier of delay to the request for a change of meter configuration
MPD 35	Change of metering from Non Interval to Interval	To notify the supplier of a delay to their request a change of metering from Non Interval to Interval

Data Hierarchy Diagram



Retail Market Message Guide – Meter Works

**Message Structure - This section describes the structure of the 130D message. The purpose of the message segments and data items are explained and any rules for composition outlined.**

Segment and Field Level Identifier – 130D Message			Rpt	Optionality	Description / Purpose and composition instructions	
1	Message Header		1	Mandatory	<i>Refer to common data segments document</i>	
1	Meter Point Details		1	Mandatory		
2	FLD	MPRN	1	Mandatory	The unique identifying reference number for the Meter Point to be registered. All elements of MPRN will be provided.	
2	SEG	Delay Details	1..N	Mandatory	An instance of this segment is provided for each Delay reason provided.	
3	FLD	Delay Reason	1	Mandatory	Delay Reason will provide details of the reason for delays in performing Meter Works requests. At least one delay reason will be provided. The following are valid Delay Reasons for this message:	
					<b>DE01</b>	Completion Certificate required
					<b>DE02</b>	Connection Agreement required
					<b>DE03</b>	Application Form required
					<b>DE04</b>	Further investigation
2	FLD	Request Status	1	Mandatory	This item defines the status of the request being made in the message. For 130D messages this will always be set to <b>I</b> - initiate.	
2	FLD	Market Participant Business Reference	1	Mandatory	This is the number that was given as reference on the 030 message. It will be referenced back here on the 130D message.	

### **1.14 130R Meter Works Request Rejection**

#### **Purpose / Description of Message**

The 130R Meter Works Request Rejection message is sent by the ESB Networks business to Supplier to reject a Meter works 030 request.

The 130R is sent on receipt of a 030 in the following circumstances:

- Where an invalid MPRN is sent
- Where an MPRN with an invalid MPRN status is sent.
  - The 030 message will be rejected where the MPRN is found to carry a status of terminated
- Where the Supplier ID sent on the 030 is not known
- Where the Supplier is found not to be the Registered Supplier for the MPRN provided on the 030
- Where a Change of Supplier is found to be in progress
- Where Incorrect / Incomplete data is sent on the 030
- Where a change of MIC is detected at the Meter Point
- Where the Meter Configuration code was invalid, where provided.
- Where there is a Smart Meter installed and the Supplier requests an MCC01
- Where there is a Smart Meter installed and the Supplier requests an MCC that requires a change to Smart Data Services.

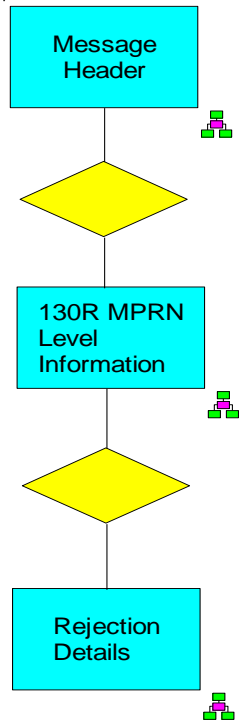
**Retail Market Message Guide – Meter Works**

- Where the Meter Point is not Interval eligible.

Message 130R is used in the following Market Processes:

Process Number and Title		Use of Message
MPD 11	Changes to Meter Configuration	To notify a supplier of rejection of the request for a change of meter configuration
MPD 35	Change of metering from Non Interval to Interval	To notify the supplier of a rejection of the request a change of metering from Non Interval to Interval

Data Hierarchy Diagram



## Retail Market Message Guide – Meter Works

### Message Structure

This section describes the structure of the 130R message. The purpose of the message segments and data items are explained and any rules for composition outlined.

Segment and Field Level Identifier – 130R Message			Rpt	Optionality	Description / Purpose and composition instructions														
1 Message Header			1	Mandatory	<i>Refer to common data segments document</i>														
1 Meter Point Details			1	Mandatory															
2	FLD	MPRN	1	Mandatory	The unique identifying reference number for the Meter Point to be registered. All elements of MPRN will be provided.														
2	SEG	Rejection Details	1..N	Mandatory	An instance of this segment is provided for each rejection reason provided.														
3	FLD	Reject Reason	1	Mandatory	<p>Reject Reason is a code to identify why data was rejected. The valid reject reasons for this message are as follows:</p> <table border="1"> <tbody> <tr> <td><b>IMP</b></td> <td>Invalid MPRN</td> </tr> <tr> <td><b>IMS</b></td> <td>Invalid MPRN status</td> </tr> <tr> <td><b>SNK</b></td> <td>Supplier not known</td> </tr> <tr> <td><b>SNR</b></td> <td>Supplier Not registered to MPRN</td> </tr> <tr> <td><b>CIP</b></td> <td>CoS in progress</td> </tr> <tr> <td><b>IID*</b></td> <td>Incorrect/Incomplete data</td> </tr> <tr> <td><b>MIC</b></td> <td>MIC Change detected</td> </tr> </tbody> </table>	<b>IMP</b>	Invalid MPRN	<b>IMS</b>	Invalid MPRN status	<b>SNK</b>	Supplier not known	<b>SNR</b>	Supplier Not registered to MPRN	<b>CIP</b>	CoS in progress	<b>IID*</b>	Incorrect/Incomplete data	<b>MIC</b>	MIC Change detected
<b>IMP</b>	Invalid MPRN																		
<b>IMS</b>	Invalid MPRN status																		
<b>SNK</b>	Supplier not known																		
<b>SNR</b>	Supplier Not registered to MPRN																		
<b>CIP</b>	CoS in progress																		
<b>IID*</b>	Incorrect/Incomplete data																		
<b>MIC</b>	MIC Change detected																		

Retail Market Message Guide – Meter Works

Segment and Field Level Identifier – 130R Message			Rpt	Optionality	Description / Purpose and composition instructions						
					<table border="1"> <tr> <td><b>IMF</b></td> <td>Invalid Meter Configuration Code</td> </tr> <tr> <td><b>NQE</b></td> <td>Not QH eligible</td> </tr> <tr> <td><b>DIJ**</b></td> <td>Data invalid for jurisdiction</td> </tr> </table> <p>*IID is also used to reject an 030 message where the Meter Point Status = 'D' (de-energised).</p> <p>IMP is used where the MPRN is not valid for this jurisdiction.</p> <p><b>DIJ**</b> remains in the schema post System Separation</p>	<b>IMF</b>	Invalid Meter Configuration Code	<b>NQE</b>	Not QH eligible	<b>DIJ**</b>	Data invalid for jurisdiction
<b>IMF</b>	Invalid Meter Configuration Code										
<b>NQE</b>	Not QH eligible										
<b>DIJ**</b>	Data invalid for jurisdiction										
2	FLD	Request Status	1	Mandatory	This item defines the status of the request being made in the message. For 130R messages this will be set to I - initiate.						
2	FLD	Market Participant Business Reference	1	Mandatory	This is the number that was given as reference on the 030 message. It will be referenced back here on the 130R message.						



## 1.15 137R Appointment Rejection

### Purpose / Description of Message

The 137R Rejection of Appointment message is sent by the ESB Networks business to Supplier to reject an appointment requested on a 017 or 030 message.

Appointments are rejected in the following circumstances:

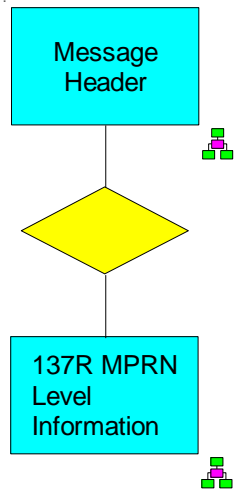
- Appointments will be rejected if appointments are received after 1400Hrs on date of receipt of message by Networks requesting a next working day appointment
- Appointments will be rejected where Suppliers select an appointment date / time un-available for the route in which the Meter Point address is located
- Appointments will be rejected where Suppliers select an appointment for a call type for which it is invalid to select an appointment (See 017 and 030 composition instructions).
- Where applicable appointments will be rejected where a 117D / 130D has been sent to notify Supplier of a delay to work requested on a 017 / 030.

Message 137R is used in the following Market Processes:

## Retail Market Message Guide – Meter Works

Process Number and Title		Use of Message
MPD 9	De-energisation	To notify a supplier of a rejection of the appointment on the request for a change of meter point status to 'D'
MPD 10	Re-energisation	To notify a supplier of a rejection of the appointment on the request for a change of meter point status to 'E'
MPD 11	Changes to Meter Configuration	To notify a supplier of a rejection of the appointment on the request for a change of meter configuration

### Data Hierarchy Diagram



### Message Structure

This section describes the structure of the 137R message. The purpose of the message segments and data items is explained and any rules for composition outlined.

**Retail Market Message Guide – Meter Works**

Segment and Field Level Identifier -137R Message			Rpt	Optionality	Description / Purpose and composition instructions						
1 Message Header			1	Mandatory	<i>Refer to common data segments document</i>						
1 Meter Point Details			1	Mandatory							
2	FLD	MPRN	1	Mandatory	The unique identifying reference number for the Meter Point that the customer has taken over. All elements of MPRN will be provided.						
2	FLD	Appointment Rejection Reason	1	Mandatory	<p>This item provides the reason for the rejection of the Appointment. The valid codes for this are as follows:</p> <p><b>AR01</b>      Call type invalid for appt</p> <p><b>AR02</b>      Route/Time Combination invalid</p> <p><b>AR03</b>      Meter Works Delay</p> <p><b>AR04</b>      No available timeslot</p>						
2	FLD	Appointment Date	1	Optional	This will be the date that was requested on the 017 / 030.						
2	FLD	Appointment Time Slot	1	Optional	<p>The preferred time period for an appointment. This will reflect what was sent on the 017 / 030. See values below:</p> <table border="1" data-bbox="1167 1094 1823 1281"> <tbody> <tr> <td><b>A01</b></td> <td>AM (Morning Appointment)</td> </tr> <tr> <td><b>A02</b></td> <td>PM (Afternoon Appointment)</td> </tr> <tr> <td><b>A03</b></td> <td>All-day Appointment</td> </tr> </tbody> </table>	<b>A01</b>	AM (Morning Appointment)	<b>A02</b>	PM (Afternoon Appointment)	<b>A03</b>	All-day Appointment
<b>A01</b>	AM (Morning Appointment)										
<b>A02</b>	PM (Afternoon Appointment)										
<b>A03</b>	All-day Appointment										

**Retail Market Message Guide – Meter Works**

Segment and Field Level Identifier -137R Message			Rpt	Optionality	Description / Purpose and composition instructions
2	FLD	Market Participant Business Reference	1	Optional	This is the Suppliers reference provided on the 017 / 030 request referenced back to Supplier.
2	FLD	Appointment ID	1	Optional	Not used post System Separation

### 1.16 306 Meter Point Status Change Confirmation – De-energisation

#### Purpose / Description of Message

The 306 message is sent to the Registered Supplier of the Non Interval Meter Point in the following scenarios:

- To confirm that their request to De-energise the Meter Point on a 017 has been completed.
- As a result of Networks initiated work (e.g. Safety disconnection and subsequent reconnection).

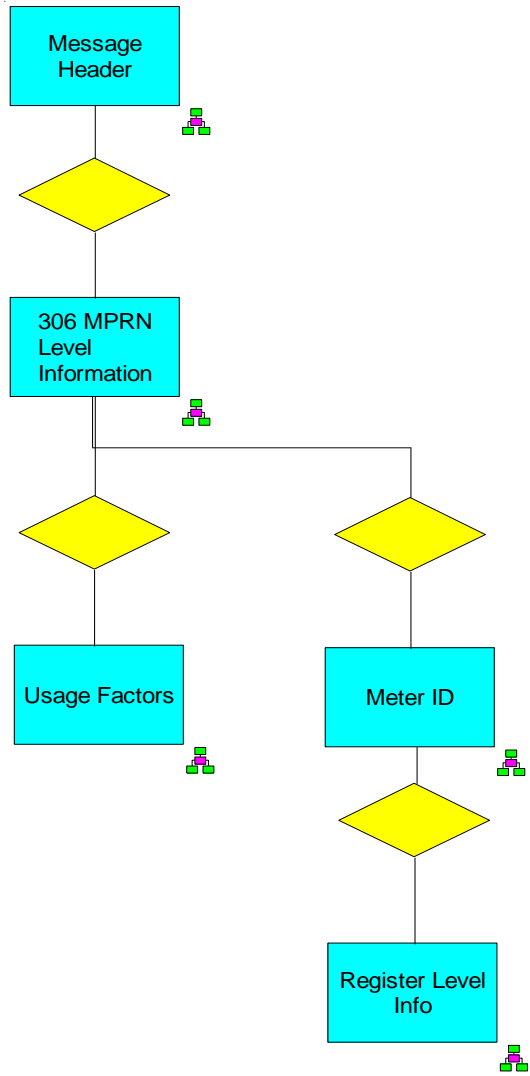
The message includes notification of the following:

- Confirmation of De-energisation
- Final readings
- Meter and Meter register Information

Message 306 is used in the following Market Processes:

Process Number and Title		Use of Message
MPD 9	De-energisation	To confirm completion of a request for a change of Non Interval meter point status to 'D'
MPD 14	Readings Processing Non Interval	To confirm completion of a request for a change of Non Interval meter point status to 'D'

Data Hierarchy Diagram



## Retail Market Message Guide – Meter Works

### Message Structure

This section describes the structure of the 306 message. The purpose of the message segments and data items are explained and any rules for composition outlined.

Segment and Field Level Identifier – 306 Message			Rpt	Optionality	Description / Purpose and composition instructions
1	Message Header		1	Mandatory	<i>Refer to common data segments document</i>
1	Meter Point Details		1	Mandatory	
2	FLD	MPRN	1	Mandatory	The unique identifying reference number for the Meter Point. All elements of MPRN will be provided.
2	FLD	Market Participant Business Reference	1	Optional	<p>This is the number given as reference on the 017 request referenced back to Supplier. This message may be generated by Networks initiated work so will not always relate back to an originating Supplier request.</p> <p>Note: For the majority of Networks generated service orders there will be no value enter in this field as it is a result of a supplier initiating meter works - networks do not generate a number for this when meter works initiated by them</p>
2	FLD	Networks Reference Number	1	Mandatory	A Non Interval billing document reference created at inception of the Non Interval billing document in Networks and used to reference that Non Interval billing transaction.



Retail Market Message Guide – Meter Works

Segment and Field Level Identifier – 306 Message			Rpt	Optionality	Description / Purpose and composition instructions
					The purpose of this field is for use when messages are withdrawn. This field can be used to identify which originating message corresponds with the message being withdrawn
2	FLD	Meter Point Status	1	Mandatory	Meter Point Status on a 306 message is a code to identify the connection status of a meter point. This will always be set to <b>D</b> – De-energised on this message.
2	FLD	Load Profile	1	Mandatory	Load Profile is a code that determines, when coupled with Timeslot, the standard profile to be applied to the consumption for settlement. See the list of data codes for allowed values here. This is provided to Suppliers for confirmation.
2	FLD	DUOS Group	1	Mandatory	Duos Group is a code which denotes the use of system tariff that applies to the MPRN. This is provided to Suppliers for confirmation. See list of data codes for valid entries here.
2	FLD	Effective from Date	1	Mandatory	This is the date from which the de-energisation became effective.
2	FLD	Essential Plant	1	See Instructions	A flag will be set to : <b>1 i.e. a logical value of True – where ESN determine a site is Essential Plant</b> <b>0 i.e. a logical value of False - where ESN determine a site is no longer Essential Plant</b>

Retail Market Message Guide – Meter Works

Segment and Field Level Identifier – 306 Message			Rpt	Optionality	Description / Purpose and composition instructions
2	SEG	Usage Factors	0..N	Optional	<p>Usage factors will be calculated in all cases with the following exception:</p> <ul style="list-style-type: none"> <li>• The readings are not for a Change of Legal Entity and all readings are estimated.</li> </ul> <p>For each Timeslot there will be two usages; the first being the actual usage and the second the estimate usage, each with their own separate Effective from Date.</p> <p><i>Note: Actual and Estimate usage factors do not appear on the same segment - Actual and Estimate usage factors are entered on separate usage factor segments with a separate Effective from date on each segment for the respective usage factor</i></p>
3	FLD	Timeslot	1	Mandatory	<p>A code that indicates the time intervals for which a usage factor is effective and will be aggregated. The code may currently be set to:</p> <ul style="list-style-type: none"> <li>• <b>24H</b> denoting a usage factor for a 24 hour time period</li> <li>• <b>00D</b> denoting a usage factor for day-time intervals of between 0800 and 2300 Hours</li> <li>• <b>00N</b> denoting a usage factor for night-time intervals of between 2300 and 0800 Hours</li> <li>• <b>01D</b> denoting a usage factor for day-time intervals of between</li> </ul>

Retail Market Message Guide – Meter Works

Segment and Field Level Identifier – 306 Message			Rpt	Optionality	Description / Purpose and composition instructions
					<p>0800 and 1700 hours plus 1900 and 2300 hours</p> <ul style="list-style-type: none"> <li>• <b>01N</b> denoting a usage factor for night-time intervals of between 2300 and 0800 Hours</li> <li>• <b>01P</b> denoting a usage factor for peak-time intervals of between 1700 and 1900 Hours</li> </ul>
3	FLD	Effective from Date	1	Mandatory	<p>This is the date from which the usage factor de-energisation became effective.</p> <ul style="list-style-type: none"> <li>• Where this applies to EUF this is the Current Read Date + 1 day</li> <li>• Where this applies to AUF this is the previous read date + 1 day</li> </ul>
3	FLD	Actual Usage Factor	1	See instructions	A statement in kWh of the actual consumption for the Timeslot from the Effective From Date to the Read Date inclusive, extrapolated to an annual consumption based on the applicable <u>derived</u> profile.
3	FLD	Estimated Usage Factor	1	See instructions	A statement in kWh of the estimated consumption for the Timeslot for the 365 days starting from the Effective From Date
2	SEG	Meter ID	1..N	Mandatory	The items in this segment uniquely identify a Meter at a Meter Point.
3	FLD	Meter Category	1	Optional	Meter Category is a code allocated by Meter Asset Manager to denote the manufacturer and type of meter. When combined with Serial Number it uniquely identifies device.

**Retail Market Message Guide – Meter Works**

Segment and Field Level Identifier – 306 Message			Rpt	Optionality	Description / Purpose and composition instructions																		
3	FLD	Serial Number	1	Mandatory	Serial No is the physical number found on a Meter. When combined with Meter Category it uniquely identifies device.																		
3	SEG	Register Level Information	1..N	Mandatory	This is the segment that stores information relating to the registers displayed on a meter.																		
4	FLD	Meter Register Sequence	1	Mandatory	Meter Register Sequence is an identifier to distinguish between different meter registers on a physical meter or set of meters.																		
4	FLD	Timeslot	1	Mandatory	<p>Timeslot is a code that indicates the period that a meter is recording. The valid codes are as follows:</p> <table border="1"> <tr> <td><b>24H</b></td> <td>24 Hour Consumption</td> </tr> <tr> <td><b>00D</b></td> <td>08-23 Day Consumption</td> </tr> <tr> <td><b>00N</b></td> <td>23-08 Night Consumption</td> </tr> <tr> <td><b>01D</b></td> <td>08-17 and 19-23 Day consumption</td> </tr> <tr> <td><b>01N</b></td> <td>23-08 Night consumption</td> </tr> <tr> <td><b>01P</b></td> <td>17-19 Peak consumption</td> </tr> <tr> <td><b>24M</b></td> <td>24Hour MD</td> </tr> <tr> <td><b>0NR</b></td> <td>08-21 MD Normal</td> </tr> <tr> <td><b>0PK</b></td> <td>17-19 MD Peak</td> </tr> </table>	<b>24H</b>	24 Hour Consumption	<b>00D</b>	08-23 Day Consumption	<b>00N</b>	23-08 Night Consumption	<b>01D</b>	08-17 and 19-23 Day consumption	<b>01N</b>	23-08 Night consumption	<b>01P</b>	17-19 Peak consumption	<b>24M</b>	24Hour MD	<b>0NR</b>	08-21 MD Normal	<b>0PK</b>	17-19 MD Peak
<b>24H</b>	24 Hour Consumption																						
<b>00D</b>	08-23 Day Consumption																						
<b>00N</b>	23-08 Night Consumption																						
<b>01D</b>	08-17 and 19-23 Day consumption																						
<b>01N</b>	23-08 Night consumption																						
<b>01P</b>	17-19 Peak consumption																						
<b>24M</b>	24Hour MD																						
<b>0NR</b>	08-21 MD Normal																						
<b>0PK</b>	17-19 MD Peak																						
4	FLD	Unit of Measurements	1	Mandatory	Units of measurement is a code that indicates the value that is measured e.g. KWh. See data codes for valid list of codes.																		

Retail Market Message Guide – Meter Works

Segment and Field Level Identifier – 306 Message			Rpt	Optionality	Description / Purpose and composition instructions
4	FLD	Meter Multiplier	1	Mandatory	Meter Multiplier is a factor to be applied to an advance or reading at a register in order to derive a true value.
4	FLD	Reading	1	Mandatory	Reading is the value of a reading measured in the units identified by the meter register prior to application of any multipliers.
4	FLD	Read Reason	1	Mandatory	Read Reason is a code that indicates the reason that a reading was collected. Read Reason will always be <b>13</b> - De-Energisation on this message.
4	FLD	Read Type	1	Mandatory	Read Type is a code that indicates whether a reading is an Actual, Customer, Estimated or Substitute reading. The following values are valid for Non Interval de-energisations:  <b>A</b> Actual  <b>E</b> Estimated (No Access)  <b>EF</b> Estimate (Implausible / No read available)
4	FLD	Previous Read Date	1	Mandatory	Previous Read Date is the date to which a reading prior to the one currently being reported applies, i.e. this is the end of the previous consumption period for the register
4	FLD	Consumption	1	See instructions	This data item is only provided for on consumption meters. Consumption is the metered or estimated consumption for the period from a previous read date to this read date, measured in kWh.
4	FLD	Read Status	1	Mandatory	A code that indicates:

Retail Market Message Guide – Meter Works

Segment and Field Level Identifier – 306 Message			Rpt	Optionality	Description / Purpose and composition instructions
					<ul style="list-style-type: none"> <li>• <b>RV</b> – Reading which is plausible / valid</li> <li>• <b>RREL</b> – Reading was originally implausible but released on investigation as plausible</li> <li>• <b>REST</b> – Reading was estimated and usage factors deriving from estimate will be used in Settlement. See Read Type for reason for estimate.</li> <li>• <b>RENS</b> – Reading was estimate but usage factors are not updated and will not be used in settlement. This is generally because a full set of readings was estimated due to implausibility.</li> </ul>
4	FLD	Register Type	1	Mandatory	<p>Register Type is a code to indicate the purpose of the register. The valid entries for this message are as follows:</p> <ul style="list-style-type: none"> <li><b>01</b> 24Hr</li> <li><b>02</b> Day</li> <li><b>03</b> Night</li> <li><b>04</b> NSH</li> <li><b>05</b> Wattless</li> <li><b>06</b> MD Normal</li> <li><b>07</b> MD Peak</li> </ul>

**Retail Market Message Guide – Meter Works**

Segment and Field Level Identifier – 306 Message			Rpt	Optionality	Description / Purpose and composition instructions
					<b>08</b> Cumulative MD Normal <b>09</b> Cumulative MD Peak <b>78</b> Day Off Peak <b>79</b> Night Off Peak <b>80</b> Peak

### 1.17 306W Meter Point Status Change Confirmation – De-energisation – Withdrawn Read

#### Purpose / Description of Message

The 306W message is sent to the Registered Supplier of the Non Interval Meter Point to withdraw Non Interval readings sent on a previous 306 message. The message includes notification of the following:

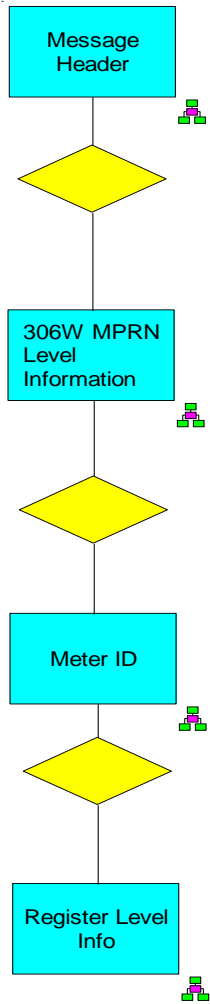
- Notification of the readings that have been withdrawn
- A reason for the withdrawal of the readings
- Meter and Meter register Information

Message 306W is used in the following Market Process:

Process Number and Title		Use of Message
MPD 14	Readings Processing Non Interval	To notify withdrawal of a completed request for a change of Non Interval meter point status to 'D'



Data Hierarchy Diagram



## Retail Market Message Guide – Meter Works

### Message Structure

This section describes the structure of the 306W message. The purpose of the message segments and data items are explained and any rules for composition outlined.

Segment and Field Level Identifier – 306W Message			Rpt	Optionality	Description / Purpose and composition instructions
1	Message Header		1	Mandatory	<i>Refer to common data segments document</i>
1	Meter Point Details		1	Mandatory	
2	FLD	MPRN	1	Mandatory	The unique identifying reference number for the Meter Point that the customer has taken over. All elements of MPRN will be provided.
2	FLD	Market Participant Business Reference	1	Optional	This is the unique number given as reference on the 017 request referenced back to Supplier. This message may be generated by Networks initiated work so will not always relate back to an originating Supplier request. See Networks Reference Number
2	FLD	Networks Reference Number	1	Mandatory	A Non Interval billing document reference created at inception of the Non Interval billing document in Networks and used to reference that Non Interval billing transaction. This is the same reference provided on the 306 for which the readings are being withdrawn on this message and will allow Suppliers to match readings to their withdrawals.
2	FLD	Meter Point Status	1	Mandatory	Meter Point Status on a 306 message is a code to identify the connection status of a meter point. This will always be set to <b>D</b> – De-energised on this message.

Retail Market Message Guide – Meter Works

Segment and Field Level Identifier – 306W Message			Rpt	Optionality	Description / Purpose and composition instructions
2	FLD	Load Profile	1	Mandatory	Load Profile is a code that determines, when coupled with Timeslot, the standard profile to be applied to the consumption for settlement. See the list of data codes for allowed values here. This is provided to Suppliers for confirmation.
2	FLD	DUOS Group	1	Mandatory	Duos Group is a code which denotes the use of system tariff that applies to the MPRN. This is provided to Suppliers for confirmation. See list of data codes for valid entries here.
2	FLD	Effective from Date	1	Mandatory	This is the date from which the de-energisation became effective.
2	FLD	Essential Plant	1	See Instructions	A flag will be set to : <b>1 i.e. a logical value of True – where ESN determine a site is Essential Plant</b> <b>0 i.e. a logical value of False - where ESN determine a site is no longer Essential Plant</b>
2	FLD	Withdrawal Reason	1	Mandatory	Withdrawal reason is a code to indicate why a reading has been withdrawn. The following are valid withdrawal reasons on a 306W:  <b>A1</b> Erroneous Change of Supplier <b>A2</b> Disputed CoS Meter Reading

Retail Market Message Guide – Meter Works

Segment and Field Level Identifier – 306W Message				Rpt	Optionality	Description / Purpose and composition instructions
						<p><b>A3</b> Change of Supplier Cancellation</p> <p><b>A4</b> Change of Supplier</p> <p><b>A5</b> Change of Legal Entity</p> <p><b>B1</b> Incorrect MPRN</p> <p><b>C1</b> Incorrect Estimation</p> <p><b>C2</b> Incorrect Meter Reading</p> <p><b>D1</b> Incorrect Rate</p> <p><b>D2</b> Incorrect Billing Period</p> <p><b>D3</b> Incorrect Meter</p>
2	SEG	Meter ID		1..N	Mandatory	The items in this segment uniquely identify a Meter at a Meter Point.
3	FLD	Meter Category		1	Optional	Meter Category is a code allocated by Meter Asset Manager to denote the manufacturer and type of meter. When combined with Serial Number it uniquely identifies device.
3	FLD	Serial Number		1	Mandatory	Serial No is the physical number found on a Meter. When combined with Meter Category it uniquely identifies device.

Retail Market Message Guide – Meter Works

Segment and Field Level Identifier – 306W Message			Rpt	Optionality	Description / Purpose and composition instructions																		
3	SEG	Register Level Information	1..N	Mandatory	This is the segment that stores information relating to the registers displayed on a meter.																		
4	FLD	Meter Register Sequence	1	Mandatory	Meter Register Sequence is an identifier to distinguish between different meter registers on a physical meter or set of meters.																		
4	FLD	Timeslot	1	Mandatory	<p>Timeslot is a code that indicates the period that a meter is recording. The valid codes are as follows:</p> <table border="1"> <tr> <td><b>24H</b></td> <td>24 Hour Consumption</td> </tr> <tr> <td><b>00D</b></td> <td>08-23 Day Consumption</td> </tr> <tr> <td><b>00N</b></td> <td>23-08 Night Consumption</td> </tr> <tr> <td><b>24M</b></td> <td>24Hour MD</td> </tr> <tr> <td><b>01D</b></td> <td>08-17 and 19-23 Day consumption</td> </tr> <tr> <td><b>01N</b></td> <td>23-08 Night consumption</td> </tr> <tr> <td><b>01P</b></td> <td>17-19 Peak consumption</td> </tr> <tr> <td><b>0NR</b></td> <td>08-21 MD Normal</td> </tr> <tr> <td><b>0PK</b></td> <td>17-19 MD Peak</td> </tr> </table>	<b>24H</b>	24 Hour Consumption	<b>00D</b>	08-23 Day Consumption	<b>00N</b>	23-08 Night Consumption	<b>24M</b>	24Hour MD	<b>01D</b>	08-17 and 19-23 Day consumption	<b>01N</b>	23-08 Night consumption	<b>01P</b>	17-19 Peak consumption	<b>0NR</b>	08-21 MD Normal	<b>0PK</b>	17-19 MD Peak
<b>24H</b>	24 Hour Consumption																						
<b>00D</b>	08-23 Day Consumption																						
<b>00N</b>	23-08 Night Consumption																						
<b>24M</b>	24Hour MD																						
<b>01D</b>	08-17 and 19-23 Day consumption																						
<b>01N</b>	23-08 Night consumption																						
<b>01P</b>	17-19 Peak consumption																						
<b>0NR</b>	08-21 MD Normal																						
<b>0PK</b>	17-19 MD Peak																						
4	FLD	Unit of Measurements	1	Mandatory	Unit of measurement is a code that indicates the value that is measured e.g. KWh. See data codes for valid list of codes allowed on this message.																		
4	FLD	Meter Multiplier	1	Mandatory	Meter Multiplier is a factor to be applied to an advance or reading at a																		

Retail Market Message Guide – Meter Works

Segment and Field Level Identifier – 306W Message			Rpt	Optionality	Description / Purpose and composition instructions
					register in order to derive a true value.
4	FLD	Reading	1	Mandatory	Reading is the value of a reading measured in the units identified by the meter register prior to application of any multipliers. This is the reading provided on the previous 306 and being withdrawn on this message.
4	FLD	Read Reason	1	Mandatory	Read Reason is a code that indicates the reason that a reading was collected. Read Reason will always be <b>13</b> - De-Energisation on this message.
4	FLD	Read Type	1	Mandatory	Read Type is a code that indicates whether a reading is an Actual, Customer, Estimated or Substitute reading. The following values are valid for Non Interval de-energisations:  <b>A</b> Actual  <b>E</b> Estimated (No Access)  <b>EF</b> Estimate (Implausible/ No read available)
4	FLD	Previous Read Date	1	Mandatory	Previous Read Date is the date to which a reading prior to the one currently being reported applies, i.e. this is the end of the previous consumption period for the register

Retail Market Message Guide – Meter Works

Segment and Field Level Identifier – 306W Message			Rpt	Optionality	Description / Purpose and composition instructions
4	FLD	Consumption	1	See instructions	This data item is only provided for on consumption meters. Consumption is the metered or estimated consumption for the period from a previous read date to this read date, measured in kWh.
4	FLD	Read Status	1	Mandatory	A code that indicates:  <b>RWI</b> –Reading Withdrawn.
4	FLD	Register Type	1	Mandatory	Register Type is a code to indicate the purpose of the register. The valid list of data codes are as follows:  <b>01</b> 24Hr <b>02</b> Day <b>03</b> Night <b>04</b> NSH <b>05</b> Wattless <b>06</b> MD Normal <b>07</b> MD Peak <b>08</b> Cumulative MD Normal <b>09</b> Cumulative MD Peak <b>78</b> Day Off Peak

**Retail Market Message Guide – Meter Works**

Segment and Field Level Identifier – 306W Message			Rpt	Optionality	Description / Purpose and composition instructions
					<b>79</b> Night Off Peak <b>80</b> Peak



## **1.18 307 Meter Point Status Change Confirmation – Energisation**

### **Purpose / Description of Message**

The 307 message is sent to the Registered Supplier of the Non Interval Meter Point in the following scenarios:

- To confirm that their request to Energise the Meter Point on a 017 has been completed.
- As a result of Networks initiated work (e.g. Safety disconnection and subsequent reconnection).

The message includes notification of the following:

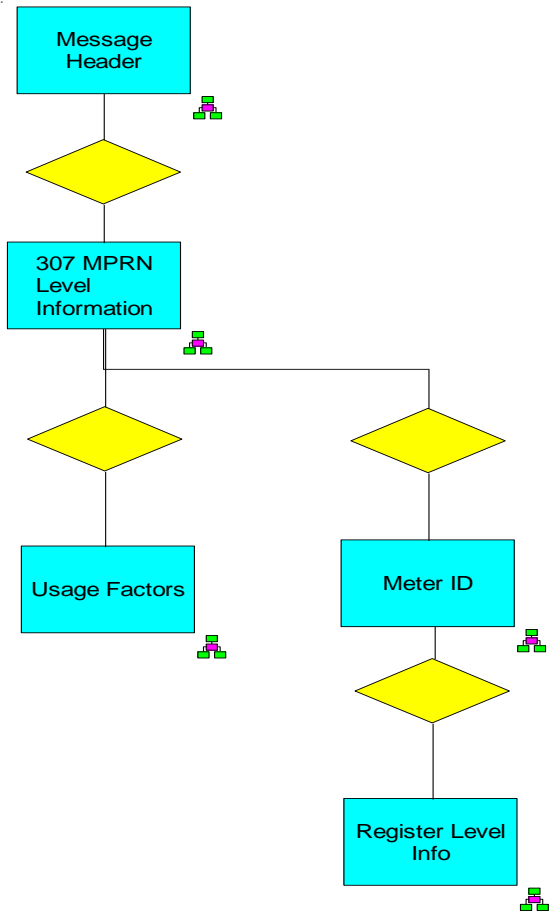
- Confirmation of Energisation at a Meter Point
- Meter and Meter register Information
- Meter readings

Message 307 is used in the following Market Processes:

## Retail Market Message Guide – Meter Works

Process Number and Title		Use of Message
MPD 10	Re-energisation	To confirm completion of a request for a change of meter point status to 'E'
MPD 14	Readings Processing Non Interval	To confirm completion of a request for a change of meter point status to 'E'

Data Hierarchy Diagram



## Retail Market Message Guide – Meter Works

### Message Structure

This section describes the structure of the 307 message. The purpose of the message segments and data items are explained and any rules for composition outlined.

Segment and Field Level Identifier – 307 Message			Rpt	Optionality	Description / Purpose and composition instructions
1	Message Header		1	Mandatory	<i>Refer to common data segments document</i>
1	Meter Point Details		1	Mandatory	
2	FLD	MPRN	1	Mandatory	The unique identifying reference number for the Meter Point that the customer has taken over. All elements of MPRN will be provided.
2	FLD	Market Participant Business Reference	1	Optional	This is the unique number given as reference on the 017 request referenced back to Supplier. This message may be generated by Networks initiated work so will not always relate back to an originating Supplier request.
2	FLD	Networks Reference Number	1	Mandatory	A Non Interval billing document reference created at inception of the Non Interval billing document in Networks and used to reference that Non Interval billing transaction.  The purpose of this field is for use when messages are withdrawn. This field can be used to identify which originating message corresponds with the message being withdrawn

## Retail Market Message Guide – Meter Works

Segment and Field Level Identifier – 307 Message			Rpt	Optionality	Description / Purpose and composition instructions
2	FLD	Meter Point Status	1	Mandatory	Meter Point Status on a 307 message is a code to identify the connection status of a meter point. This will always be set to <b>E</b> – Energised on this message.
2	FLD	Load Profile	1	Mandatory	Load Profile is a code that determines, when coupled with Timeslot, the standard profile to be applied to the consumption for settlement. See the list of data codes for allowed values here This is provided to Suppliers for confirmation.
2	FLD	DUOS Group	1	Mandatory	Duos Group is a code which denotes the use of system tariff that applies to the MPRN. This is provided to Suppliers for confirmation. See list of data codes for valid entries here.
2	FLD	Effective from Date	1	Mandatory	This is the date from which the energisation became effective.
2	FLD	Essential Plant	1	See Instructions	A flag will be set to : <b>1 i.e. a logical value of True – where ESN determine a site is Essential Plant</b> <b>0 i.e. a logical value of False - where ESN determine a site is no longer Essential Plant</b>
2	SEG	Usage Factors	0..	Optional	Usage factors will be calculated in all cases with the following

Retail Market Message Guide – Meter Works

Segment and Field Level Identifier – 307 Message			Rpt	Optionality	Description / Purpose and composition instructions
			N		<p>exception:</p> <ul style="list-style-type: none"> <li>• The readings are not for a Change of Legal Entity and all readings are estimated.</li> </ul> <p>For each Timeslot there will be two usages; the first being the actual usage and the second the estimate usage, each with their own separate Effective From Date.</p> <p><i>Note: Actual and Estimate usage factors do not appear on the same segment - Actual and Estimate usage factors are entered on separate usage factor segments with a separate Effective from date on each segment for the respective usage factor</i></p>
3	FLD	Timeslot	1	Mandatory	<p>A code that indicates the time intervals for which a usage factor is effective and will be aggregated. The code may currently be set to:</p> <ul style="list-style-type: none"> <li>• <b>24H</b> denoting a usage factor for a 24 hour time period</li> <li>• <b>00D</b> denoting a usage factor for day-time intervals of between 0800 and 2300 Hours</li> <li>• <b>00N</b> denoting a usage factor for night-time intervals of between 2300 and 0800 Hours</li> <li>• <b>01D</b> denoting a usage factor for day-time intervals of between</li> </ul>

## Retail Market Message Guide – Meter Works

Segment and Field Level Identifier – 307 Message			Rpt	Optionality	Description / Purpose and composition instructions
					<p>0800 and 1700 hours plus 1900 and 2300 hours</p> <ul style="list-style-type: none"> <li>• <b>01N</b> denoting a usage factor for night-time intervals of between 2300 and 0800 Hours</li> <li>• <b>01P</b> denoting a usage factor for peak-time intervals of between 1700 and 1900 Hours</li> </ul>
3	FLD	Effective from Date	1	Mandatory	<p>This is the date from which the usage factor de-energisation became effective.</p> <ul style="list-style-type: none"> <li>• Where this applies to EUF this is the Current Read Date + 1 day</li> <li>• Where this applies to AUF this is the previous read date + 1 day</li> </ul>
3	FLD	Actual Usage Factor	1	See instructions	A statement in kWh of the actual consumption for the Timeslot from the Effective from Date to the Read Date inclusive, extrapolated to an annual consumption based on the applicable <u>derived</u> profile.
3	FLD	Estimated Usage Factor	1	See instructions	A statement in kWh of the estimated consumption for the Timeslot for the 365 days starting from the Effective from Date
2	SEG	Meter ID	1..N	Mandatory	The items in this segment uniquely identify a Meter at a Meter Point.
3	FLD	Meter Category	1	Optional	Meter Category is a code allocated by Meter Asset Manager to denote the manufacturer and type of meter. When combined with Serial Number it uniquely identifies device.

**Retail Market Message Guide – Meter Works**

Segment and Field Level Identifier – 307 Message			Rpt	Optionality	Description / Purpose and composition instructions																		
3	FLD	Serial Number	1	Mandatory	Serial No is the physical number found on a Meter. When combined with Meter Category it uniquely identifies device.																		
3	SEG	Register Level Information	1..N	Mandatory	This is the segment that stores information relating to the registers displayed on a meter.																		
4	FLD	Meter Register Sequence	1	Mandatory	Meter Register Sequence is an identifier to distinguish between different meter dials on a physical meter or set of meters.																		
4	FLD	Timeslot	1	Mandatory	<p>Timeslot is a code that indicates the period that a meter is recording. The valid codes are as follows:</p> <table border="1"> <tr> <td><b>24H</b></td> <td>24 Hour Consumption</td> </tr> <tr> <td><b>00D</b></td> <td>08-23 Day Consumption</td> </tr> <tr> <td><b>00N</b></td> <td>23-08 Night Consumption</td> </tr> <tr> <td><b>24M</b></td> <td>24Hour MD</td> </tr> <tr> <td><b>01D</b></td> <td>08-17 and 19-23 Day consumption</td> </tr> <tr> <td><b>01N</b></td> <td>23-08 Night consumption</td> </tr> <tr> <td><b>01P</b></td> <td>17-19 Peak consumption</td> </tr> <tr> <td><b>0NR</b></td> <td>08-21 MD Normal</td> </tr> <tr> <td><b>0PK</b></td> <td>17-19 MD Peak</td> </tr> </table>	<b>24H</b>	24 Hour Consumption	<b>00D</b>	08-23 Day Consumption	<b>00N</b>	23-08 Night Consumption	<b>24M</b>	24Hour MD	<b>01D</b>	08-17 and 19-23 Day consumption	<b>01N</b>	23-08 Night consumption	<b>01P</b>	17-19 Peak consumption	<b>0NR</b>	08-21 MD Normal	<b>0PK</b>	17-19 MD Peak
<b>24H</b>	24 Hour Consumption																						
<b>00D</b>	08-23 Day Consumption																						
<b>00N</b>	23-08 Night Consumption																						
<b>24M</b>	24Hour MD																						
<b>01D</b>	08-17 and 19-23 Day consumption																						
<b>01N</b>	23-08 Night consumption																						
<b>01P</b>	17-19 Peak consumption																						
<b>0NR</b>	08-21 MD Normal																						
<b>0PK</b>	17-19 MD Peak																						
4	FLD	Unit of Measurements	1	Mandatory	Units of measurement is a code that indicates the value that is																		



## Retail Market Message Guide – Meter Works

Segment and Field Level Identifier – 307 Message			Rpt	Optionality	Description / Purpose and composition instructions
					measured e.g. KWh. See data codes for valid list of codes.
4	FLD	Meter Multiplier	1	Mandatory	Meter Multiplier is a factor to be applied to an advance or reading at a register in order to derive a true value.
4	FLD	Reading	1	Mandatory	Reading is the value of a reading measured in the units identified by the meter register prior to application of any multipliers.
4	FLD	Read Reason	1	Mandatory	Read Reason is a code that indicates the reason that a reading was collected. Read Reason will always be <b>18</b> - Energisation on this message.
4	FLD	Read Type	1	Mandatory	Read Type is a code that indicates whether a reading is an Actual, Customer, Estimated or Substitute reading. Read Type will always be <b>A</b> – Actual on this message.
4	FLD	Previous Read Date	1	Mandatory	Previous Read Date is the date to which a reading prior to the one currently being reported applies, i.e. this is the end of the previous consumption period for the register
4	FLD	Consumption	1	See instructions	This data item is only provided for on consumption meters. Consumption is the metered or estimated consumption for the period from a previous read date to this read date, measured in kWh.
4	FLD	Read Status	1	Mandatory	Read Status will be set to one of the following values that indicate the following:

Retail Market Message Guide – Meter Works

Segment and Field Level Identifier – 307 Message			Rpt	Optionality	Description / Purpose and composition instructions
					<b>RV</b> Reading Valid <b>RREL</b> Reading - Manually released
4	FLD	Register Type	1	Mandatory	Register Type is a code to indicate the purpose of the register. The valid entries for this message are as follows:  <b>01</b> 24Hr <b>02</b> Day <b>03</b> Night <b>04</b> NSH <b>05</b> Wattless <b>06</b> MD Normal <b>07</b> MD Peak <b>08</b> Cumulative MD Normal <b>09</b> Cumulative MD Peak <b>78</b> Day Off Peak <b>79</b> Night Off Peak <b>80</b> Peak

### 1.19 307W Meter Point Status Change Confirmation – Energisation – Withdrawn Read

#### Purpose / Description of Message

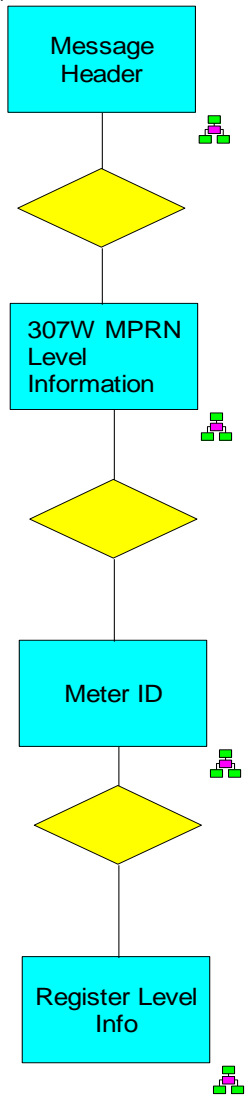
The 307W message is sent to the Registered Supplier of the Non Interval Meter Point to withdraw Non Interval readings sent on a previous 307 message. The message includes notification of the following:

- Notification of the readings that have been withdrawn
- A reason for the withdrawal of the readings
- Meter and Meter register Information

Message 307W is used in the following Market Process:

Process Number and Title		Use of Message
MPD 14	Readings Processing Non Interval	To notify withdrawal of a completed request for a change of meter point status to 'E'

Data Hierarchy Diagram



### Message Structure

This section describes the structure of the 307W message. The purpose of the message segments and data items are explained and any rules for composition outlined.

Segment and Field Level Identifier			Rpt	Optionality	Description / Purpose and composition instructions
1	Message Header		1	Mandatory	<i>Refer to common data segments document</i>
1	Meter Point Details		1	Mandatory	
2	FLD	MPRN	1	Mandatory	The unique identifying reference number for the Meter Point that the customer has taken over. All elements of MPRN will be provided.
2	FLD	Market Participant Business Reference	1	Optional	This is the number given as reference on the 017 request referenced back to Supplier. The message may be generated by Networks initiated work so will not always relate back to an originating Supplier request. See Networks Reference Number
2	FLD	Networks Reference Number	1	Mandatory	A Non Interval billing document reference created at inception of the Non Interval billing document in Networks and used to reference that Non Interval billing transaction. This is the same reference provided on the 307 for which the readings are being withdrawn on this message and will allow Suppliers to match readings to their withdrawals.
2	FLD	Meter Point Status	1	Mandatory	Meter Point Status on a 307W message is a code to identify the connection status of a meter point. This will always be set to <b>E</b> – Energised on this message.

Retail Market Message Guide – Meter Works

Segment and Field Level Identifier			Rpt	Optionality	Description / Purpose and composition instructions
2	FLD	Load Profile	1	Mandatory	Load Profile is a code that determines, when coupled with Timeslot, the standard profile to be applied to the consumption for settlement. See the list of data codes for allowed values here. This is provided to Suppliers for confirmation.
2	FLD	DUOS Group	1	Mandatory	Duos Group is a code which denotes the use of system tariff that applies to the MPRN. This is provided to Suppliers for confirmation. See list of data codes for valid entries here.
2	FLD	Effective from Date	1	Mandatory	This is the date from which the energisation became effective.
2	FLD	Essential Plant	1	See Instructions	A flag will be set to : <b>1 i.e. a logical value of True – where ESN determine a site is Essential Plant</b> <b>0 i.e. a logical value of False - where ESN determine a site is no longer Essential Plant</b>
2	FLD	Withdrawal Reason	1	Mandatory	Withdrawal reason is a code to indicate why a reading has been withdrawn. The following are valid withdrawal reasons on a 307W:  <b>A1</b> Erroneous Change of Supplier <b>A2</b> Disputed CoS Meter Reading  Change of Supplier <b>A3</b> Cancellation <b>A4</b> Change of Supplier <b>A5</b> Change of Legal Entity

Retail Market Message Guide – Meter Works

Segment and Field Level Identifier				Rpt	Optionality	Description / Purpose and composition instructions		
						<b>B1</b> Incorrect MPRN <b>C1</b> Incorrect Estimation <b>C2</b> Incorrect Meter Reading <b>D1</b> Incorrect Rate <b>D2</b> Incorrect Billing Period <b>D3</b> Incorrect Meter		
2	SEG	Meter ID		1..N	Mandatory	The items in this segment uniquely identify a Meter at a Meter Point.		
3	FLD	Meter Category		1	Optional	Meter Category is a code allocated by Meter Asset Manager to denote the manufacturer and type of meter. When combined with Serial Number it uniquely identifies device.		
3	FLD	Serial Number		1	Mandatory	Serial No is the physical number found on a Meter. When combined with Meter Category it uniquely identifies device.		
3	SEG	Register Level Information		1..N	Mandatory	This is the segment that stores information relating to the registers displayed on a meter.		
4	FLD	Meter Register Sequence		1	Mandatory	Meter Register Sequence is an identifier to distinguish between different meter dials on a physical meter or set of meters.		
4	FLD	Timeslot		1	Mandatory	Timeslot is a code that indicates the period that a meter is recording. The valid codes are as follows: <table border="1" data-bbox="1164 1228 1904 1292"> <tr> <td><b>24H</b></td> <td>24 Hour Consumption</td> </tr> </table>	<b>24H</b>	24 Hour Consumption
<b>24H</b>	24 Hour Consumption							

Retail Market Message Guide – Meter Works

Segment and Field Level Identifier			Rpt	Optionality	Description / Purpose and composition instructions																
					<table border="1"> <tr> <td><b>00D</b></td> <td>08-23 Day Consumption</td> </tr> <tr> <td><b>00N</b></td> <td>23-08 Night Consumption</td> </tr> <tr> <td><b>24M</b></td> <td>24Hour MD</td> </tr> <tr> <td><b>01D</b></td> <td>08-17 and 19-23 Day consumption</td> </tr> <tr> <td><b>01N</b></td> <td>23-08 Night consumption</td> </tr> <tr> <td><b>01P</b></td> <td>17-19 Peak consumption</td> </tr> <tr> <td><b>0NR</b></td> <td>08-21 MD Normal</td> </tr> <tr> <td><b>OPK</b></td> <td>17-19 MD Peak</td> </tr> </table>	<b>00D</b>	08-23 Day Consumption	<b>00N</b>	23-08 Night Consumption	<b>24M</b>	24Hour MD	<b>01D</b>	08-17 and 19-23 Day consumption	<b>01N</b>	23-08 Night consumption	<b>01P</b>	17-19 Peak consumption	<b>0NR</b>	08-21 MD Normal	<b>OPK</b>	17-19 MD Peak
<b>00D</b>	08-23 Day Consumption																				
<b>00N</b>	23-08 Night Consumption																				
<b>24M</b>	24Hour MD																				
<b>01D</b>	08-17 and 19-23 Day consumption																				
<b>01N</b>	23-08 Night consumption																				
<b>01P</b>	17-19 Peak consumption																				
<b>0NR</b>	08-21 MD Normal																				
<b>OPK</b>	17-19 MD Peak																				
4	FLD	Unit of Measurements	1	Mandatory	Unit of measurement is a code that indicates the value that is measured e.g. KWh. See data codes for valid list of codes allowed on this message.																
4	FLD	Meter Multiplier	1	Mandatory	Meter Multiplier is a factor to be applied to an advance or reading at a register in order to derive a true value.																
4	FLD	Reading	1	Mandatory	Reading is the value of a reading measured in the units identified by the meter register prior to application of any multipliers.																
4	FLD	Read Reason	1	Mandatory	Read Reason is a code that indicates the reason that a reading was collected. Read Reason will always be <b>18</b> - Energisation on this message.																
4	FLD	Read Type	1	Mandatory	Read Type is a code that indicates whether a reading is an Actual, Customer, Estimated or Substitute reading. Read Type will always be																



Retail Market Message Guide – Meter Works

Segment and Field Level Identifier			Rpt	Optionality	Description / Purpose and composition instructions
					<b>A</b> – Actual on this message.
4	FLD	Previous Read Date	1	Mandatory	Previous Read Date is the date to which a reading prior to the one currently being reported applies, i.e. this is the end of the previous consumption period for the register
4	FLD	Consumption	1	See instructions	This data item is only provided for on consumption meters. Consumption is the metered or estimated consumption for the period from a previous read date to this read date, measured in kWh.
4	FLD	Read Status	1	Mandatory	Read Status is a code that indicates the following on this message:  <b>RWI</b> Reading withdrawn
4	FLD	Register Type	1	Mandatory	Register Type is a code to indicate the purpose of the register. The valid entries for this message are as follows:  <b>01</b> 24Hr <b>02</b> Day <b>03</b> Night <b>04</b> NSH <b>05</b> Wattless <b>06</b> MD Normal <b>07</b> MD Peak

## Retail Market Message Guide – Meter Works

Segment and Field Level Identifier			Rpt	Optionality	Description / Purpose and composition instructions
					<b>08</b> Cumulative MD Normal <b>09</b> Cumulative MD Peak <b>78</b> Day Off Peak <b>79</b> Night Off Peak <b>80</b> Peak

### 1.20 106D Meter Point Status Change Confirmation – De-energisation

#### Purpose / Description of Message

The 106D message is sent to the Registered Supplier of the Interval Meter Point and, when QH Meter Point, to TSO in the following scenarios:

- To confirm that their request to De-energise the Meter Point on a 017 has been completed.
- As a result of Networks initiated work (e.g. Safety disconnection and subsequent reconnection).

The 106D is also sent to the Registered Supplier of a Single Point Unmetered site

- To confirm that their request to De-energise the single point unmetered meter point on a 017 has been completed

The message includes notification of the following:

- Confirmation of De-energisation

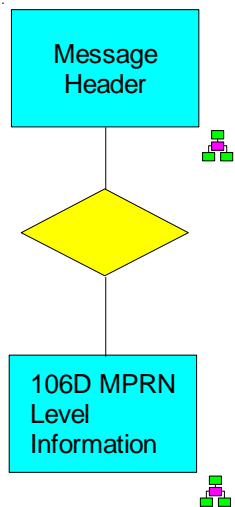
## Retail Market Message Guide – Meter Works

- Effective from date of the de-energisation.

Message 106D is used in the following Market Process:

Process Number and Title		Use of Message
MPD 9	De-energisation	To confirm a completed request for a change of a Interval meter point status to 'D'

### Data Hierarchy Diagram



## Retail Market Message Guide – Meter Works

### Message Structure

This section describes the structure of the 106D message. The purpose of the message segments and data items are explained and any rules for composition outlined.

Segment and Field Level Identifier – 106D Message			Rpt	Optionality	Description / Purpose and composition instructions
1	Message Header		1	Mandatory	<i>Refer to common data segments document</i>
1	Meter Point Details		1	Mandatory	
2	FLD	MPRN	1	Mandatory	The unique identifying reference number for the Meter Point that the customer has taken over. All elements of MPRN will be provided.
2	FLD	Market Participant Business Reference	1	Optional	This is the unique number given as reference on the 017 request referenced back to Supplier. This message may be generated by Networks initiated work so will not always relate back to an originating Supplier request.
2	FLD	Meter Point Status	1	Mandatory	Meter Point Status on a 106D message is a code to identify the connection status of a meter point. This will always be set to <b>D</b> – De-energised on this message.
2	FLD	Effective from Date	1	Mandatory	This is the date from which the de-energisation became effective.
2	FLD	Essential Plant	1	See Instructions	A flag will be set to : <b>1 i.e. a logical value of True – where ESN determine a site is Essential Plant</b>

**Retail Market Message Guide – Meter Works**

Segment and Field Level Identifier – 106D Message			Rpt	Optionality	Description / Purpose and composition instructions
					<b>0 i.e. a logical value of False - where ESN determine a site is no longer Essential Plant</b>
2	FLD	Comments	1	Optional	Not used post System Separation

### **1.21 106E Meter Point Status Change Confirmation – Energisation**

#### **Purpose / Description of Message**

The 106E message is sent to the Registered Supplier of the Interval Meter Point and when QH Meter Point, to TSO in the following scenarios:

- To confirm that their request to Energise the Meter Point on a 017 has been completed.
- As a result of Networks initiated work (e.g. Safety disconnection and subsequent reconnection).

The 106E is also sent to the Registered Supplier of a Single Point Unmetered site

- To confirm that their request to Re-energise the single point unmetered meter point on a 017 has been completed

The message includes notification of the following:

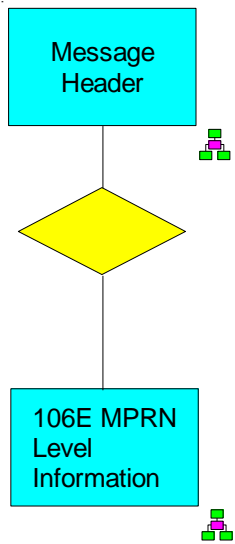
- Confirmation of Energisation
- Effective from date of the Energisation.

## Retail Market Message Guide – Meter Works

Message 106E is used in the following Market Process:

Process Number and Title		Use of Message
MPD 10	Re-energisation	To confirm a completed request for a change of a Interval meter point status to 'E'

### Data Hierarchy Diagram



## Retail Market Message Guide – Meter Works

### Message Structure

This section describes the structure of the 106E message. The purpose of the message segments and data items are explained and any rules for composition outlined.

Segment and Field Level Identifier – 106E Message			Rpt	Optionality	Description / Purpose and composition instructions
1	Message Header		1	Mandatory	<i>Refer to common data segments document</i>
1	Meter Point Details		1	Mandatory	
2	FLD	MPRN	1	Mandatory	The unique identifying reference number for the Meter Point that the customer has taken over. All elements of MPRN will be provided.
2	FLD	Market Participant Business Reference	1	Optional	This is the unique number given as reference on the 017 request referenced back to Supplier. This message may be generated by Networks initiated work so will not always relate back to an originating Supplier request.
2	FLD	Meter Point Status	1	Mandatory	Meter Point Status on a 106E message is a code to identify the connection status of a meter point. This will always be set to <b>E</b> – Energised on this message.
2	FLD	Effective from Date	1	Mandatory	This is the date from which the Energisation became effective.
2	FLD	Essential Plant	1	See Instructions	A flag will be set to : <b>1 i.e. a logical value of True – where ESN determine a site is Essential Plant</b> <b>0 i.e. a logical value of False - where ESN determine a site is</b>



## Retail Market Message Guide – Meter Works

					<b>no longer Essential Plant</b>
2	FLD	Comments	1	Optional	Not used post System Separation

### 1.22 332 Non Interval Meter Technical Details

#### Purpose / Description of Message

The 332 Non Interval Meter Technical Details message provides the Supplier registered to the Non Interval Meter point with the technical details of the meters installed at that meter point following meter works carried out at that meter point.

This includes the following details:

- The details applicable to the meter point, including MCC, DUOS Group and meter point status.
- Any Usage factor information held for the Meter Point.
- The details of meters that have been removed from the Meter Point including register information from that meter and final readings if appropriate
- The details of meters that have been newly installed at a meter point including register information from that meter and start readings if appropriate
- The details of meters that are retained at a meter point following meter works including register information from that meter and readings if appropriate.

## Retail Market Message Guide – Meter Works

- The details applicable to the meter point that it has been de-energised and the meters removed on the same day including register information from that meter and final readings and meter point status
- The details applicable to the meter point where token meters have been newly installed at the meter point
- The details applicable to the meter point where token meter has been removed from the meter point
- The details applicable to the meter point where the token meter has been exchange at the meter point
- The details applicable to the meter point where the token meter has been reset at the meter point
- The details applicable to the meter point where Networks have installed signals ex MFM to notify Register supplier that the meter works has been completed

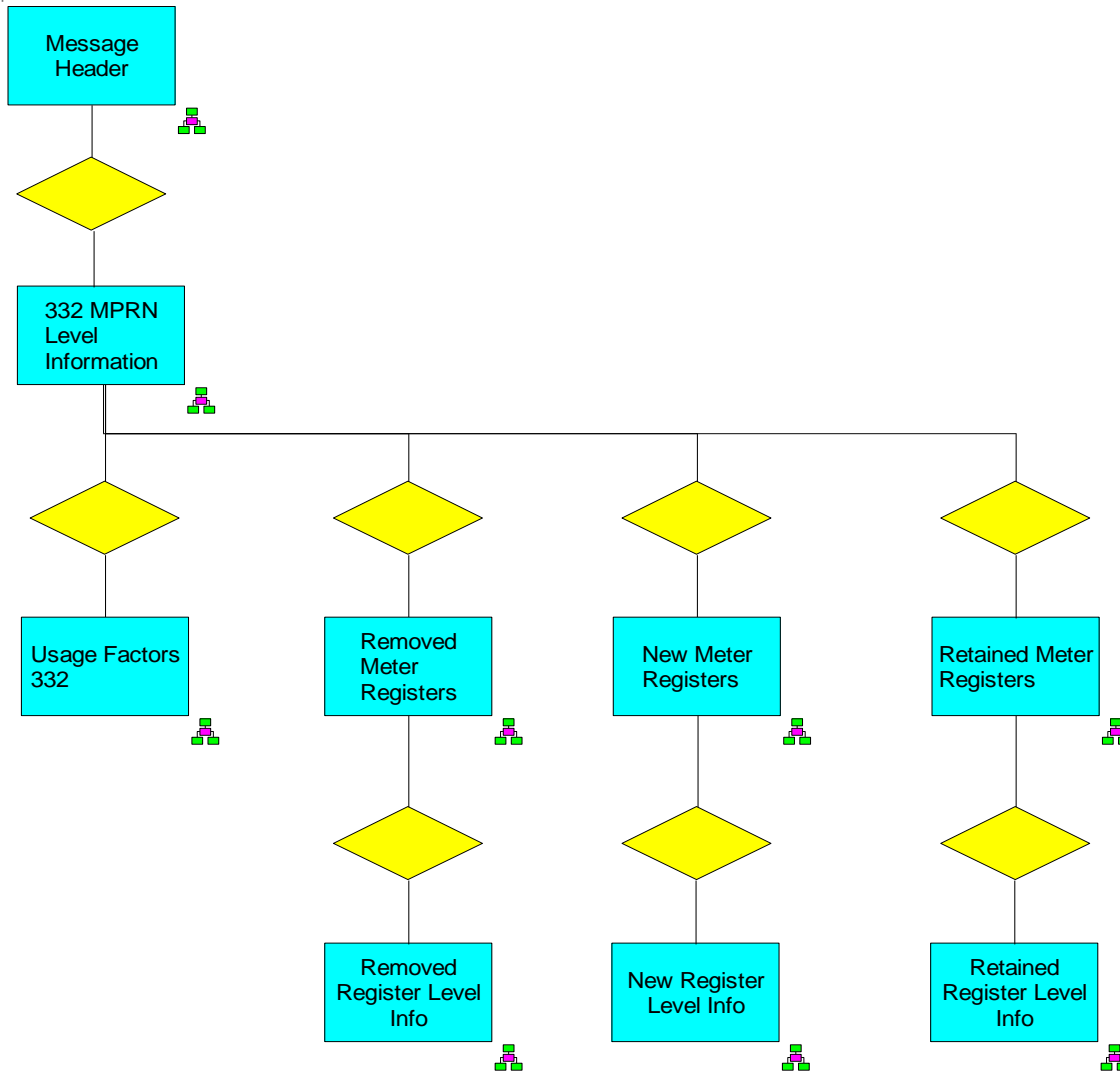
Message 332 is used in the following Market Process:

Process Number and Title		Use of Message
MPD 5	New Non Interval Metered Connection	To notify meter technical details and readings after completion of a New Non Interval Metered Connection
MPD 8	Change to Connection Characteristics	To notify meter technical details and readings after a change of Non Interval meter connection characteristics where applicable
MPD 9	De-energisation	To notify meter technical details and readings after completion of a change of Non Interval meter point status to 'D' which required change meter works
MPD 10	Re-energisation	To notify meter technical details and readings after completion of a change of Non Interval meter point status to 'E' which required change meter works
MPD 11	Change to Meter Configuration	To notify meter technical details and readings after completion of a change of

**Retail Market Message Guide – Meter Works**

<b>Process Number and Title</b>		<b>Use of Message</b>
		Non Interval meter configuration which required meter works
MPD 12	Meter Problems and Damage	To notify meter technical details and readings when resolution of Non Interval meter problems and damage resulted in meter works
MPD 14	Readings Processing (Non Interval)	To notify meter technical details and readings for a Non Interval meter point
MPD 35	Change of metering from Non Interval to Interval	To notify meter technical details and readings for a Non Interval meter point following a change of metering from Non Interval to Interval
MPD 35.1	Change of Smart Data Service from Interval to Non Interval	To notify meter technical details and readings for a Interval meter point following a change of metering from Interval to Non Interval
MPD 13	Planned Meter Exchange	To notify meter technical details and readings for a Non Interval meter point

Data Hierarchy Diagram



## Retail Market Message Guide – Meter Works

### Message Structure

This section describes the structure of the 332 message. The purpose of the message segments and data items are explained and any rules for composition outlined.

Segment and Field Level Identifier – 332 Message			Rpt	Optionality	Description / Purpose and composition instructions
1	Message Header		1	Mandatory	<i>Refer to common data segments document</i>
1	Meter Point Details		1	Mandatory	
2	FLD	MPRN	1	Mandatory	The unique identifying reference number for the Meter Point that the customer has taken over. All elements of MPRN will be provided.
2	FLD	Market Participant Business Reference	1	Optional	This is the Suppliers reference where provided on the inbound market message referenced back to Supplier. This message may be generated by Networks initiated work so will not always relate back to an originating Supplier request.
2	FLD	Networks Reference Number	1	Optional	A Non Interval billing document reference created at inception of the Non Interval billing document in Networks and used to reference that Non Interval billing transaction. Where this message carries register readings this item will always be populated.
2	FLD	Load Profile	1	Mandatory	Load Profile is a code that determines, when coupled with Timeslot, the standard profile to be applied to the consumption for settlement. See the list of data codes for allowed values here.
2	FLD	DUOS Group	1	Mandatory	Duos Group is a code which denotes the use of system tariff that

Retail Market Message Guide – Meter Works

Segment and Field Level Identifier – 332 Message			Rpt	Optionality	Description / Purpose and composition instructions
					applies to the MPRN. See list of data codes for valid entries here.
2	FLD	Meter Configuration Code	1	Mandatory	<p>Meter Configuration Code (MCC) describes the current configuration of meter registers and other equipment at an MPRN which allow Customer Billing to take place. The MCC does not describe the specific metering equipment in use at an MPRN nor does it describe the overall capability of the metering equipment at the site.</p> <p>The code supplied here will reflect the MCC requested by Supplier on the 030 message where applicable.</p>
2	FLD	Keypad Premise Number	1	Optional	Not used post System Separation
2	FLD	Tariff Configuration Code	1	Optional	Not used post System Separation
2	FLD	Meter Point Status	1	Mandatory	Meter Point Status is a code to identify the connection status of a meter point. This will always be set to <b>E</b> – Energised or <b>D</b> – De-energised on this message.
2	FLD	Effective from Date	1	Mandatory	This is the date from which the meter point information supplied became effective.
2	FLD	Essential Plant	1	See Instructions	<p>A flag will be set to :</p> <p><b>1 i.e. a logical value of True – where ESNB determine a site is Essential Plant</b></p> <p><b>0 i.e. a logical value of False - where ESNB determine a site is</b></p>

Retail Market Message Guide – Meter Works

Segment and Field Level Identifier – 332 Message			Rpt	Optionality	Description / Purpose and composition instructions	
					<b>no longer Essential Plant</b>	
2	SEG	Usage Factors		0..N	Optional	For each Timeslot there will be two usages; the first being the actual usage and the second the estimate usage, each with their own separate Effective From Date.
3	FLD	Effective from Date		1	Mandatory	<p>This is the date from which the usage factor provided became effective.</p> <ul style="list-style-type: none"> <li>• Where this applies to EUF this is the Current Read Date + 1 day</li> <li>• Where this applies to AUF this is the previous read date + 1 day</li> </ul>
3	FLD	Timeslot		1	Mandatory	<p>A code that indicates the time intervals for which a usage factor is effective and will be aggregated. The code may currently be set to:</p> <ul style="list-style-type: none"> <li>• <b>24H</b> denoting a usage factor for a 24 hour time period</li> <li>• <b>00D</b> denoting a usage factor for day-time intervals of between 0800 and 2300 Hours</li> <li>• <b>00N</b> denoting a usage factor for night-time intervals of between 2300 and 0800 Hours</li> <li>• <b>01D</b> denoting a usage factor for day-time intervals of between 0800 and 1700 hours plus 1900 and 2300 hours</li> <li>• <b>01N</b> denoting a usage factor for night-time intervals of between 2300 and 0800 Hours</li> <li>• <b>01P</b> denoting a usage factor for peak-time intervals of between 1700 and 1900 Hours</li> </ul>

**Retail Market Message Guide – Meter Works**

Segment and Field Level Identifier – 332 Message			Rpt	Optionality	Description / Purpose and composition instructions
3	FLD	Actual Usage Factor	1	See instructions	Actual Usage Factor is a statement in kWh of the actual consumption for a given Timeslot at a Meter Point since the previous read-date, extrapolated to an annual consumption based on the applicable standard profile. This is provided for the period terminated by the read date  <ul style="list-style-type: none"> <li>Where meters have been removed AUF will be provided.</li> </ul>
3	FLD	Estimated Usage Factor	1	See instructions	Estimated Usage Factor is a statement in kWh of the estimated consumption for a given Timeslot at a Meter Point over the next year and is provided for the period following the read date.  <ul style="list-style-type: none"> <li>Where Meters have been installed EUF will be provided.</li> </ul>
2	SEG	Removed Meter ID	0..N	Optional	This segment identifies the Non Interval Meters removed at a Meter Point if appropriate.
3	FLD	Meter Category	1	Optional	Meter Category is a code allocated by Meter Asset Manager to denote the manufacturer and type of meter. When combined with Serial Number it uniquely identifies device.
3	FLD	Serial Number	1	Mandatory	Serial No is the physical number found on a Meter. When combined with Meter Category it uniquely identifies device.
3	FLD	Exchanged Meter Reference	1	See instructions	A reference to allow the old and new meter to be related to each other in the case of a meter exchange. This is always provided where meters have been exchanged at an MPRN.



Retail Market Message Guide – Meter Works

Segment and Field Level Identifier – 332 Message			Rpt	Optionality	Description / Purpose and composition instructions																		
3	SEG	Removed Register Level Information	0..N	Optional	This segment provides the information pertaining to the registers on meters that have been removed from the meter point. <b>N:B</b> Register information is not provided for token devices with no registers																		
4	FLD	Timeslot	1	Mandatory	<p>Timeslot is a code that indicates the period that a meter is recording. The valid codes are as follows:</p> <table border="1"> <tr> <td><b>24H</b></td> <td>24 Hour Consumption</td> </tr> <tr> <td><b>00D</b></td> <td>08-23 Day Consumption</td> </tr> <tr> <td><b>00N</b></td> <td>23-08 Night Consumption</td> </tr> <tr> <td><b>24M</b></td> <td>24Hour MD</td> </tr> <tr> <td><b>01D</b></td> <td>08-17 and 19-23 Day consumption</td> </tr> <tr> <td><b>01N</b></td> <td>23-08 Night consumption</td> </tr> <tr> <td><b>01P</b></td> <td>17-19 Peak consumption</td> </tr> <tr> <td><b>0NR</b></td> <td>08-21 MD Normal</td> </tr> <tr> <td><b>0PK</b></td> <td>17-19 MD Peak</td> </tr> </table>	<b>24H</b>	24 Hour Consumption	<b>00D</b>	08-23 Day Consumption	<b>00N</b>	23-08 Night Consumption	<b>24M</b>	24Hour MD	<b>01D</b>	08-17 and 19-23 Day consumption	<b>01N</b>	23-08 Night consumption	<b>01P</b>	17-19 Peak consumption	<b>0NR</b>	08-21 MD Normal	<b>0PK</b>	17-19 MD Peak
<b>24H</b>	24 Hour Consumption																						
<b>00D</b>	08-23 Day Consumption																						
<b>00N</b>	23-08 Night Consumption																						
<b>24M</b>	24Hour MD																						
<b>01D</b>	08-17 and 19-23 Day consumption																						
<b>01N</b>	23-08 Night consumption																						
<b>01P</b>	17-19 Peak consumption																						
<b>0NR</b>	08-21 MD Normal																						
<b>0PK</b>	17-19 MD Peak																						
4	FLD	Meter Register Sequence	1	Mandatory	Meter Register Sequence is an identifier to distinguish between different meter registers on a physical meter.																		
4	FLD	Unit of Measurement	1	Mandatory	Units of measurement is a code that indicates the value that is measured e.g. KWh. See data codes for valid list of codes.																		

**Retail Market Message Guide – Meter Works**

Segment and Field Level Identifier – 332 Message			Rpt	Optionality	Description / Purpose and composition instructions
4	FLD	Meter Multiplier	1	Mandatory	Meter Multiplier is a factor to be applied to an advance or reading at a register in order to derive a true value.
4	FLD	Reading	1	Mandatory	Reading is the value of a reading in the form passed to the Data Processor measured in the units identified by the meter register prior to application of any multipliers. May contain an estimate if read type so indicates.
4	FLD	Read Reason	1	Mandatory	Read Reason is a code that indicates the reason that a reading was collected and will be set to:  See Appendix 1C for valid read types on the 332 market message and the read types sent depending on the meter works carried out
4	FLD	Read Type	1	Mandatory	Read Type is a code that indicates whether a reading is an Actual, Customer, Estimated or Substitute reading. This will always be set to either <b>A</b> – Actual, <b>E</b> – Estimated or <b>EF</b> –Estimate (Implausible).
4	FLD	Previous Read Date	1	Mandatory	Previous Read Date is the date to which a reading prior to the one currently being reported applies, i.e. this is the end of the of the previous consumption period for the register
4	FLD	Consumption	1	See instructions	This data item is only provided for on consumption meters. Consumption is the metered or estimated consumption for the period

Retail Market Message Guide – Meter Works

Segment and Field Level Identifier – 332 Message			Rpt	Optionality	Description / Purpose and composition instructions
					from a previous read date to this read date, measured in kWh.
4	FLD	Post Decimal Digits	1	Optional	The number of digits after the decimal place on a meter register. This data is provided where it is defined for register and device and is dependant upon meter category.
4	FLD	Pre Decimal Digits	1	Optional	The number of digits before the decimal place on a meter register This data is provided where it is defined for register and device and is dependant upon meter category.
4	FLD	Register Type	1	Mandatory	Register Type is a code to indicate the purpose of the register. The valid entries are as follows:  <b>01</b> 24Hr <b>02</b> Day <b>03</b> Night <b>04</b> NSH <b>05</b> Wattless <b>06</b> MD Normal <b>07</b> MD Peak <b>08</b> Cumulative MD Normal <b>09</b> Cumulative MD Peak <b>78</b> Day Off Peak

Retail Market Message Guide – Meter Works

Segment and Field Level Identifier – 332 Message				Rpt	Optionality	Description / Purpose and composition instructions
						<b>79</b> Night Off Peak <b>80</b> Peak
	4	FLD	Read Status	1	Mandatory	Read Status is a code that indicates the status of the reading supplied. The following statuses are allowed on this message for removed meters:  <b>RV</b> Reading Valid <b>RREL</b> Reading - Manually released <b>REST</b> Reading estimated- used for settlement
2	SEG	New Meter ID		0..N	Optional	This segment identifies the new Non Interval Meters fitted at a Meter Point if appropriate.
	3	FLD	Meter Category	1	Optional	Meter Category is a code allocated by Meter Asset Manager to denote the manufacturer and type of meter. When combined with Serial Number it uniquely identifies device.
	3	FLD	Serial Number	1	Mandatory	Serial No is the physical number found on a Meter. When combined with Meter Category it uniquely identifies device.
	3	FLD	Meter Location	1	See instructions	Meter Location is a code that refers to the physical position of a meter at a premise. This item is always provided for newly installed Meters. See list of data codes for list of valid codes for this item. In some circumstances no meter location code was convertible from legacy data. In such cases no Meter Location will be provided.

Retail Market Message Guide – Meter Works

Segment and Field Level Identifier – 332 Message			Rpt	Optionality	Description / Purpose and composition instructions														
3	FLD	Exchanged Meter Reference	1	See instructions	A reference to allow the old and new meter to be related to each other in the case of a meter exchange. This is always provided where meters have been exchanged at an MPRN.														
3	SEG	New Meter Registers	0..N	Optional	This segment provides the information pertaining to the registers on meters that have been fitted at the meter point. <b>N:B</b> Register information is not provided for token devices with no registers														
4	FLD	Timeslot	1	Mandatory	<p>Timeslot is a code that indicates the period that a meter is recording. The valid codes are as follows:</p> <table border="1"> <tbody> <tr> <td><b>24H</b></td> <td>24 Hour Consumption</td> </tr> <tr> <td><b>00D</b></td> <td>08-23 Day Consumption</td> </tr> <tr> <td><b>00N</b></td> <td>23-08 Night Consumption</td> </tr> <tr> <td><b>24M</b></td> <td>24Hour MD</td> </tr> <tr> <td><b>01D</b></td> <td>08-17 and 19-23 Day consumption</td> </tr> <tr> <td><b>01N</b></td> <td>23-08 Night consumption</td> </tr> <tr> <td><b>01P</b></td> <td>17-19 Peak consumption</td> </tr> </tbody> </table>	<b>24H</b>	24 Hour Consumption	<b>00D</b>	08-23 Day Consumption	<b>00N</b>	23-08 Night Consumption	<b>24M</b>	24Hour MD	<b>01D</b>	08-17 and 19-23 Day consumption	<b>01N</b>	23-08 Night consumption	<b>01P</b>	17-19 Peak consumption
<b>24H</b>	24 Hour Consumption																		
<b>00D</b>	08-23 Day Consumption																		
<b>00N</b>	23-08 Night Consumption																		
<b>24M</b>	24Hour MD																		
<b>01D</b>	08-17 and 19-23 Day consumption																		
<b>01N</b>	23-08 Night consumption																		
<b>01P</b>	17-19 Peak consumption																		

Retail Market Message Guide – Meter Works

Segment and Field Level Identifier – 332 Message			Rpt	Optionality	Description / Purpose and composition instructions				
					<table border="1"> <tr> <td><b>ONR</b></td> <td>08-21 MD Normal</td> </tr> <tr> <td><b>OPK</b></td> <td>17-19 MD Peak</td> </tr> </table>	<b>ONR</b>	08-21 MD Normal	<b>OPK</b>	17-19 MD Peak
<b>ONR</b>	08-21 MD Normal								
<b>OPK</b>	17-19 MD Peak								
4	FLD	Meter Register Sequence	1	Mandatory	Meter Register Sequence is an identifier to distinguish between different meter registers on a physical meter or set of meters.				
4	FLD	Unit of Measurement	1	Mandatory	Units of measurement is a code that indicates the value that is measured e.g. KWh. See data codes for valid list of codes.				
4	FLD	Meter Multiplier	1	Mandatory	Meter Multiplier is a factor to be applied to an advance or reading at a register in order to derive a true value.				
4	FLD	Reading	1	Mandatory	Reading is the value of a reading in the form passed to the Data Processor measured in the units identified by the meter register prior to application of any multipliers.				
4	FLD	Read Reason	1	Mandatory	<p>Read Reason is a code that indicates the reason that a reading was collected. The following code is permitted for this item:</p> <p>See Appendix 1C for valid read types on the 332 market message and the read types sent depending on the meter works carried out</p>				
4	FLD	Read Type	1	Mandatory	Read Type is a code that indicates whether a reading is an Actual, Customer, Estimated or Substitute reading. This will always be set to <b>A</b> – Actual for this item.				

Retail Market Message Guide – Meter Works

Segment and Field Level Identifier – 332 Message			Rpt	Optionality	Description / Purpose and composition instructions
4	FLD	Post Decimal Digits	1	Mandatory	The number of digits after the decimal place on a meter register. This data is provided where it is defined for register and device and is dependant upon meter category. This is always provided for new meters.
4	FLD	Pre Decimal Digits	1	Mandatory	The number of digits before the decimal place on a meter register. This data is provided where it is defined for register and device and is dependant upon meter category. This is always provided for new meters.
4	FLD	Register Type	1	Mandatory	Register Type is a code to indicate the purpose of the register. The valid entries are as follows:  <b>01</b> 24Hr <b>02</b> Day <b>03</b> Night <b>04</b> NSH <b>05</b> Wattless <b>06</b> MD Normal <b>07</b> MD Peak <b>08</b> Cumulative MD Normal <b>09</b> Cumulative MD Peak <b>78</b> Day Off Peak

Retail Market Message Guide – Meter Works

Segment and Field Level Identifier – 332 Message			Rpt	Optionality	Description / Purpose and composition instructions										
					<p><b>79</b> Night Off Peak</p> <p><b>80</b> Peak</p>										
2	SEG	Retained Meter ID		0..N	Optional	This segment identifies the Non Interval Meters that were installed at a Meter Point prior to meter works and are retained there after meter works are completed if appropriate.									
3	FLD	Meter Category	1	Optional	Meter Category is a code allocated by Meter Asset Manager to denote the manufacturer and type of meter. When combined with Serial Number it uniquely identifies device.										
3	FLD	Serial Number	1	Mandatory	Serial No is the physical number found on a Meter. When combined with Meter Category it uniquely identifies device.										
3	SEG	Retained Meter Registers		0..N	Optional	This segment provides the information pertaining to the registers on meters that have been retained at the meter point. <b>N: B</b> Register information is not provided for token devices with no registers.									
4	FLD	Timeslot	1	Mandatory	<p>Timeslot is a code that indicates the period that a meter is recording. The valid codes are as follows:</p> <table border="1"> <tbody> <tr> <td><b>24H</b></td> <td>24 Hour Consumption</td> </tr> <tr> <td><b>00D</b></td> <td>08-23 Day Consumption</td> </tr> <tr> <td><b>00N</b></td> <td>23-08 Night Consumption</td> </tr> <tr> <td><b>24M</b></td> <td>24Hour MD</td> </tr> <tr> <td><b>01D</b></td> <td>08-17 and 19-23 Day consumption</td> </tr> </tbody> </table>	<b>24H</b>	24 Hour Consumption	<b>00D</b>	08-23 Day Consumption	<b>00N</b>	23-08 Night Consumption	<b>24M</b>	24Hour MD	<b>01D</b>	08-17 and 19-23 Day consumption
<b>24H</b>	24 Hour Consumption														
<b>00D</b>	08-23 Day Consumption														
<b>00N</b>	23-08 Night Consumption														
<b>24M</b>	24Hour MD														
<b>01D</b>	08-17 and 19-23 Day consumption														



Retail Market Message Guide – Meter Works

Segment and Field Level Identifier – 332 Message			Rpt	Optionality	Description / Purpose and composition instructions								
					<table border="1"> <tr> <td><b>01N</b></td> <td>23-08 Night consumption</td> </tr> <tr> <td><b>01P</b></td> <td>17-19 Peak consumption</td> </tr> <tr> <td><b>0NR</b></td> <td>08-21 MD Normal</td> </tr> <tr> <td><b>0PK</b></td> <td>17-19 MD Peak</td> </tr> </table>	<b>01N</b>	23-08 Night consumption	<b>01P</b>	17-19 Peak consumption	<b>0NR</b>	08-21 MD Normal	<b>0PK</b>	17-19 MD Peak
<b>01N</b>	23-08 Night consumption												
<b>01P</b>	17-19 Peak consumption												
<b>0NR</b>	08-21 MD Normal												
<b>0PK</b>	17-19 MD Peak												
4	FLD	Meter Register Sequence	1	Mandatory	Meter Register Sequence is an identifier to distinguish between different meter registers on a physical meter or set of meters.								
4	FLD	Unit of Measurement	1	Mandatory	Units of measurement is a code that indicates the value that is measured e.g. KWh. See data codes for valid list of codes.								
4	FLD	Meter Multiplier	1	Mandatory	Meter Multiplier is a factor to be applied to an advance or reading at a register in order to derive a true value.								
4	FLD	Reading	1	Mandatory	Reading is the value of a reading in the form passed to the Data Processor measured in the units identified by the meter register prior to application of any multipliers.								
4	FLD	Read Reason	1	Mandatory	<p>Read Reason is a code that indicates the reason that a reading was collected. The valid code for retained meters is:</p> <p><b>09</b> Special Read – Non Chargeable</p>								
4	FLD	Read Type	1	Mandatory	Read Type is a code that indicates whether a reading is an Actual, Customer, Estimated or Substitute reading. This will always be set to <b>A</b> – Actual, <b>E</b> – Estimated or <b>EF</b> – Estimate (Implausible / No Read available).								
4	FLD	Previous Read Date	1	Mandatory	Previous Read Date is the date to which a reading prior to the one								

Retail Market Message Guide – Meter Works

Segment and Field Level Identifier – 332 Message			Rpt	Optionality	Description / Purpose and composition instructions
					currently being reported applies, i.e. this is the end of the of the previous consumption period for the register
4	FLD	Consumption	1	See instructions	This data item is only provided for on consumption meters. Consumption is the metered or estimated consumption for the period from a previous read date to this read date, measured in kWh.
4	FLD	Post Decimal Digits	1	Optional	The number of digits after the decimal place on a meter register. This data is provided where it is defined for register and device and is dependant upon meter category.
4	FLD	Pre Decimal Digits	1	Optional	The number of digits before the decimal place on a meter register This data is provided where it is defined for register and device and is dependant upon meter category.
4	FLD	Register Type	1	Mandatory	Register Type is a code to indicate the purpose of the register. The valid entries are as follows:  <b>01</b> 24Hr <b>02</b> Day <b>03</b> Night <b>04</b> NSH <b>05</b> Wattless <b>06</b> MD Normal <b>07</b> MD Peak

## Retail Market Message Guide – Meter Works

Segment and Field Level Identifier – 332 Message			Rpt	Optionality	Description / Purpose and composition instructions
					<b>08</b> Cumulative MD Normal <b>09</b> Cumulative MD Peak <b>78</b> Day Off Peak <b>79</b> Night Off Peak <b>80</b> Peak
4	FLD	Read Status	1	Mandatory	Read Status is a code that indicates the status of the reading supplied. The following code values are allowed for retained meters:  <b>RV</b> Reading Valid <b>RREL</b> Reading - Manually released <b>REST</b> Reading estimated- used for settlement

### 1.23 332W Non Interval Meter Technical Details – Withdrawn Read

#### Purpose / Description of Message

The 332W Non Interval Meter Technical Details – Withdrawn Read message informs the Supplier registered to the Non Interval Meter point that previous readings provided on a 332 message have been withdrawn.

This includes the following details:

- The reason for the withdrawal

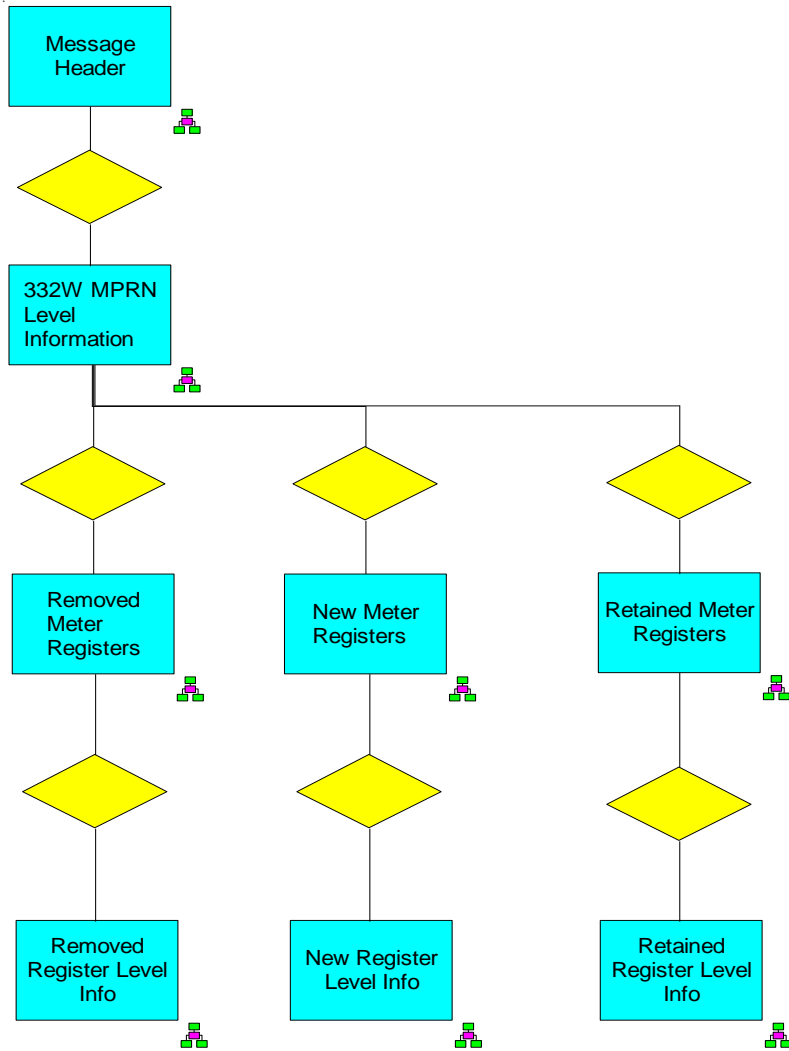
## Retail Market Message Guide – Meter Works

- The details applicable to the meter point, including MCC, DUOS Group and meter point status previously provided on the 332.
- The details of meters that have been removed from the Meter Point including register information from that meter and withdrawn readings
- The details of meters that have been newly installed at a meter point including register information from that meter and withdrawn readings
- The details of meters that are retained at a meter point following meter works including register information from that meter and withdrawn readings.
- Note: Where 332 is sent for meter points in regards Token Meter installation, removal, exchange or resets no 332W is sent
- Note: Where 332 is sent for meter points in regards to installation of signals ex MFM no 332W is sent

Message 332W is used in the following Market Process:

Process Number and Title		Use of Message
MPD 14	Readings Processing (Non Interval)	To notify withdrawn readings for a Non Interval meter point for a previously issued 332 message

Data Hierarchy Diagram



## Retail Market Message Guide – Meter Works

### Message Structure

This section describes the structure of the 332W message. The purpose of the message segments and data items are explained and any rules for composition outlined.

Segment and Field Level Identifier – 332W			Rpt	Optionality	Description / Purpose and composition instructions
1 Message Header			1	Mandatory	<i>Refer to common data segments document</i>
1 Meter Point Details			1	Mandatory	
2	FLD	MPRN	1	Mandatory	The unique identifying reference number for the Meter Point that the customer has taken over. All elements of MPRN will be provided.
2	FLD	Market Participant Business Reference	1	Optional	This is the Suppliers reference where provided on the inbound market message referenced back to Supplier. This message may be generated by Networks initiated work so will not always relate back to an originating Supplier request.
2	FLD	Networks Reference Number	1	Mandatory	A Non Interval billing document reference created at inception of the Non Interval billing document in Networks and used to reference that Non Interval billing transaction.
2	FLD	Load Profile	1	Mandatory	Load Profile is a code that determines, when coupled with Timeslot, the standard profile to be applied to the consumption for settlement. See the list of data codes for allowed values here.
2	FLD	DUOS Group	1	Mandatory	Duos Group is a code which denotes the use of system tariff that applies to the MPRN. See list of data codes for valid entries here.

Retail Market Message Guide – Meter Works

Segment and Field Level Identifier – 332W			Rpt	Optionality	Description / Purpose and composition instructions
2	FLD	Meter Configuration Code	1	Mandatory	<p>Meter Configuration Code (MCC) describes the current configuration of meter registers and other equipment at an MPRN which allow Customer Billing to take place. The MCC does not describe the specific metering equipment in use at an MPRN nor does it describe the overall capability of the metering equipment at the site.</p> <p>The code supplied here will reflect the MCC requested by Supplier on the 030 message where applicable.</p>
2	FLD	Meter Point Status	1	Mandatory	<p>Meter Point Status is a code to identify the connection status of a meter point. This will always be set to <b>E</b> – Energised or <b>D</b> – De-energised on this message.</p>
2	FLD	Effective from Date	1	Mandatory	<p>This is the date from which the meter point information supplied on the original 332 became effective.</p>
2	FLD	Essential Plant	1	See Instructions	<p>A flag will be set to :</p> <p><b>1 i.e. a logical value of True – where ESNB determine a site is Essential Plant</b></p> <p><b>0 i.e. a logical value of False - where ESNB determine a site is no longer Essential Plant</b></p>
2	FLD	Withdrawal Reason	1	Mandatory	<p>Withdrawal reason is a code to indicate why a reading has been withdrawn. The following are valid withdrawal reasons on a 332W:</p> <p><b>A1</b>            Erroneous Change of Supplier</p> <p><b>A2</b>            Disputed CoS Meter Reading</p> <p>                    Change of Supplier</p> <p><b>A3</b>            Cancellation</p>

Retail Market Message Guide – Meter Works

Segment and Field Level Identifier – 332W			Rpt	Optionality	Description / Purpose and composition instructions
					<b>A4</b> Change of Supplier <b>A5</b> Change of Legal Entity <b>B1</b> Incorrect MPRN <b>C1</b> Incorrect Estimation <b>C2</b> Incorrect Meter Reading <b>D1</b> Incorrect Rate <b>D2</b> Incorrect Billing Period <b>D3</b> Incorrect Meter
2	FLD	Keypad Premise Number	1	Optional	Not used post System Separation
2	FLD	Tariff Configuration Code	1	Optional	Not used post System Separation
2	SEG	Removed Meter ID	0..N	Optional	This segment identifies the Non Interval Meters removed at a Meter Point if appropriate.
3	FLD	Meter Category	1	Optional	Meter Category is a code allocated by Meter Asset Manager to denote the manufacturer and type of meter. When combined with Serial Number it uniquely identifies device.
3	FLD	Serial Number	1	Mandatory	Serial No is the physical number found on a Meter. When combined with Meter Category it uniquely identifies device.
3	FLD	Exchanged Meter Reference	1	See instructions	A reference to allow the old and new meter to be related to each other in the case of a meter exchange. This is always provided where



Retail Market Message Guide – Meter Works

Segment and Field Level Identifier – 332W			Rpt	Optionality	Description / Purpose and composition instructions																		
					meters have been exchanged at an MPRN.																		
3	SEG	Removed Meter Registers		1..N	Mandatory	This segment provides the information pertaining to the registers on meters that have been removed from the meter point.																	
4	FLD	Timeslot	1	Mandatory	<p>Timeslot is a code that indicates the period that a meter is recording. The valid codes are as follows:</p> <table border="1"> <tr> <td><b>24H</b></td> <td>24 Hour Consumption</td> </tr> <tr> <td><b>00D</b></td> <td>08-23 Day Consumption</td> </tr> <tr> <td><b>00N</b></td> <td>23-08 Night Consumption</td> </tr> <tr> <td><b>24M</b></td> <td>24Hour MD</td> </tr> <tr> <td><b>01D</b></td> <td>08-17 and 19-23 Day consumption</td> </tr> <tr> <td><b>01N</b></td> <td>23-08 Night consumption</td> </tr> <tr> <td><b>01P</b></td> <td>17-19 Peak consumption</td> </tr> <tr> <td><b>0NR</b></td> <td>08-21 MD Normal</td> </tr> <tr> <td><b>0PK</b></td> <td>17-19 MD Peak</td> </tr> </table>	<b>24H</b>	24 Hour Consumption	<b>00D</b>	08-23 Day Consumption	<b>00N</b>	23-08 Night Consumption	<b>24M</b>	24Hour MD	<b>01D</b>	08-17 and 19-23 Day consumption	<b>01N</b>	23-08 Night consumption	<b>01P</b>	17-19 Peak consumption	<b>0NR</b>	08-21 MD Normal	<b>0PK</b>	17-19 MD Peak
<b>24H</b>	24 Hour Consumption																						
<b>00D</b>	08-23 Day Consumption																						
<b>00N</b>	23-08 Night Consumption																						
<b>24M</b>	24Hour MD																						
<b>01D</b>	08-17 and 19-23 Day consumption																						
<b>01N</b>	23-08 Night consumption																						
<b>01P</b>	17-19 Peak consumption																						
<b>0NR</b>	08-21 MD Normal																						
<b>0PK</b>	17-19 MD Peak																						
4	FLD	Meter Register Sequence	1	Mandatory	Meter Register Sequence is an identifier to distinguish between different meter registers on a physical meter.																		
4	FLD	Unit of Measurement	1	Mandatory	Units of measurement is a code that indicates the value that is measured e.g. KWh. See data codes for valid list of codes.																		

**Retail Market Message Guide – Meter Works**

Segment and Field Level Identifier – 332W			Rpt	Optionality	Description / Purpose and composition instructions
4	FLD	Meter Multiplier	1	Mandatory	Meter Multiplier is a factor to be applied to an advance or reading at a register in order to derive a true value.
4	FLD	Reading	1	Mandatory	Reading is the value of a reading in the form passed to the Data Processor measured in the units identified by the meter register prior to application of any multipliers. May contain an estimate if read type so indicates.
4	FLD	Read Reason	1	Mandatory	Read Reason is a code that indicates the reason that a reading was collected and will be set to:  See Appendix 1C for valid read types on the 332 market message and the read types sent depending on the meter works carried out
4	FLD	Read Type	1	Mandatory	Read Type is a code that indicates whether a reading is an Actual, Customer, Estimated or Substitute reading. This will always be set to either <b>A</b> – Actual, <b>E</b> – Estimated or <b>EF</b> – Estimate (Implausible / No read available).
4	FLD	Previous Read Date	1	Mandatory	Previous Read Date is the date to which a reading prior to the one currently being reported applies, i.e. this is the end of the of the previous consumption period for the register
4	FLD	Consumption	1	See instructions	This data item is only provided for on consumption meters. Consumption is the metered or estimated consumption for the period from a previous read date to this read date, measured in kWh.
4	FLD	Post Decimal Digits	1	Optional	The number of digits after the decimal place on a meter register. This data is provided where it is defined for register and device and is dependant upon meter category.

Retail Market Message Guide – Meter Works

Segment and Field Level Identifier – 332W			Rpt	Optionality	Description / Purpose and composition instructions
4	FLD	Pre Decimal Digits	1	Optional	The number of digits before the decimal place on a meter register This data is provided where it is defined for register and device and is dependant upon meter category.
4	FLD	Register Type	1	Mandatory	Register Type is a code to indicate the purpose of the register. The valid entries are as follows:  <b>01</b> 24Hr <b>02</b> Day <b>03</b> Night <b>04</b> NSH <b>05</b> Wattless <b>06</b> MD Normal <b>07</b> MD Peak <b>08</b> Cumulative MD Normal <b>09</b> Cumulative MD Peak <b>78</b> Day Off Peak <b>79</b> Night Off Peak <b>80</b> Peak
4	FLD	Read Status	1	Mandatory	Read Status is a code that indicates the status of the reading supplied. The following code value is allowed on this message:

**Retail Market Message Guide – Meter Works**

Segment and Field Level Identifier – 332W				Rpt	Optionality	Description / Purpose and composition instructions		
						<b>RWI</b> Reading withdrawn		
2	SEG	New Meter ID		0..N	Optional	This segment identifies the new Non Interval Meters fitted at a Meter Point if appropriate.		
3	FLD	Meter Category		1	Optional	Meter Category is a code allocated by Meter Asset Manager to denote the manufacturer and type of meter. When combined with Serial Number it uniquely identifies device.		
3	FLD	Serial Number		1	Mandatory	Serial No is the physical number found on a Meter. When combined with Meter Category it uniquely identifies device.		
3	FLD	Meter Location		1	See instructions	Meter Location is a code that refers to the physical position of a meter at a premise. Provided for newly installed meters. In some circumstances no meter location code was convertible from legacy data. In such cases no Meter Location will be provided.		
3	FLD	Exchanged Meter Reference		1	See instructions	A reference to allow the old and new meter to be related to each other in the case of a meter exchange. This is always provided where meters have been exchanged at an MPRN.		
3	SEG	New Meter Registers		1..N	Mandatory	This segment provides the information pertaining to the registers on meters that have been fitted at the meter point.		
4	FLD	Timeslot		1	Mandatory	Timeslot is a code that indicates the period that a meter is recording. The valid codes are as follows: <table border="1" data-bbox="1164 1189 1668 1252"> <tr> <td><b>24H</b></td> <td>24 Hour Consumption</td> </tr> </table>	<b>24H</b>	24 Hour Consumption
<b>24H</b>	24 Hour Consumption							

Retail Market Message Guide – Meter Works

Segment and Field Level Identifier – 332W			Rpt	Optionality	Description / Purpose and composition instructions																
					<table border="1"> <tr> <td><b>00D</b></td> <td>08-23 Day Consumption</td> </tr> <tr> <td><b>00N</b></td> <td>23-08 Night Consumption</td> </tr> <tr> <td><b>24M</b></td> <td>24Hour MD</td> </tr> <tr> <td><b>01D</b></td> <td>08-17 and 19-23 Day consumption</td> </tr> <tr> <td><b>01N</b></td> <td>23-08 Night consumption</td> </tr> <tr> <td><b>01P</b></td> <td>17-19 Peak consumption</td> </tr> <tr> <td><b>0NR</b></td> <td>08-21 MD Normal</td> </tr> <tr> <td><b>0PK</b></td> <td>17-19 MD Peak</td> </tr> </table>	<b>00D</b>	08-23 Day Consumption	<b>00N</b>	23-08 Night Consumption	<b>24M</b>	24Hour MD	<b>01D</b>	08-17 and 19-23 Day consumption	<b>01N</b>	23-08 Night consumption	<b>01P</b>	17-19 Peak consumption	<b>0NR</b>	08-21 MD Normal	<b>0PK</b>	17-19 MD Peak
<b>00D</b>	08-23 Day Consumption																				
<b>00N</b>	23-08 Night Consumption																				
<b>24M</b>	24Hour MD																				
<b>01D</b>	08-17 and 19-23 Day consumption																				
<b>01N</b>	23-08 Night consumption																				
<b>01P</b>	17-19 Peak consumption																				
<b>0NR</b>	08-21 MD Normal																				
<b>0PK</b>	17-19 MD Peak																				
4	FLD	Meter Register Sequence	1	Mandatory	Meter Register Sequence is an identifier to distinguish between different meter registers on a physical meter or set of meters.																
4	FLD	Unit of Measurement	1	Mandatory	Units of measurement is a code that indicates the value that is measured e.g. KWh. See data codes for valid list of codes.																
4	FLD	Meter Multiplier	1	Mandatory	Meter Multiplier is a factor to be applied to an advance or reading at a register in order to derive a true value.																
4	FLD	Reading	1	Mandatory	Reading is the value of a reading in the form passed to the Data Processor measured in the units identified by the meter register prior to application of any multipliers.																
4	FLD	Read Reason	1	Mandatory	Read Reason is a code that indicates the reason that a reading was																

**Retail Market Message Guide – Meter Works**

Segment and Field Level Identifier – 332W			Rpt	Optionality	Description / Purpose and composition instructions
					collected. The following codes are permitted for this item:  See Appendix 1C for valid read types on the 332 market message and the read types sent depending on the meter works carried out
4	FLD	Read Type	1	Mandatory	Read Type is a code that indicates whether a reading is an Actual, Customer, Estimated or Substitute reading. This will always be set to <b>A</b> – Actual for this item.
4	FLD	Post Decimal Digits	1	Mandatory	The number of digits after the decimal place on a meter register. This data is provided where it is defined for register and device and is dependant upon meter category. This is always provided for new meters.
4	FLD	Pre Decimal Digits	1	Mandatory	The number of digits before the decimal place on a meter register This data is provided where it is defined for register and device and is dependant upon meter category. This is always provided for new meters.
4	FLD	Register Type	1	Mandatory	Register Type is a code to indicate the purpose of the register. See the list of data codes for valid entries here.
2	SEG	Retained Meter ID	0..N	Optional	This segment identifies the Non Interval Meters that were installed at a Meter Point prior to meter works and are retained there after meter works are completed if appropriate.
3	FLD	Meter Category	1	Optional	Meter Category is a code allocated by Meter Asset Manager to denote the manufacturer and type of meter. When combined with Serial Number it uniquely identifies device.
3	FLD	Serial Number	1	Mandatory	Serial No is the physical number found on a Meter. When combined

Retail Market Message Guide – Meter Works

Segment and Field Level Identifier – 332W			Rpt	Optionality	Description / Purpose and composition instructions																		
					with Meter Category it uniquely identifies device.																		
3	SEG	Retained Meter Register s		0..N	Optional	This segment provides the information pertaining to the registers on meters that have been retained at the meter point.																	
4	FLD	Timeslot	1	Mandatory	<p>Timeslot is a code that indicates the period that the meter is recording. The valid codes are as follows:</p> <table border="1"> <tr> <td><b>24H</b></td> <td>24 Hour Consumption</td> </tr> <tr> <td><b>00D</b></td> <td>08-23 Day Consumption</td> </tr> <tr> <td><b>00N</b></td> <td>23-08 Night Consumption</td> </tr> <tr> <td><b>24M</b></td> <td>24Hour MD</td> </tr> <tr> <td><b>01D</b></td> <td>08-17 and 19-23 Day consumption</td> </tr> <tr> <td><b>01N</b></td> <td>23-08 Night consumption</td> </tr> <tr> <td><b>01P</b></td> <td>17-19 Peak consumption</td> </tr> <tr> <td><b>0NR</b></td> <td>08-21 MD Normal</td> </tr> <tr> <td><b>0PK</b></td> <td>17-19 MD Peak</td> </tr> </table>	<b>24H</b>	24 Hour Consumption	<b>00D</b>	08-23 Day Consumption	<b>00N</b>	23-08 Night Consumption	<b>24M</b>	24Hour MD	<b>01D</b>	08-17 and 19-23 Day consumption	<b>01N</b>	23-08 Night consumption	<b>01P</b>	17-19 Peak consumption	<b>0NR</b>	08-21 MD Normal	<b>0PK</b>	17-19 MD Peak
<b>24H</b>	24 Hour Consumption																						
<b>00D</b>	08-23 Day Consumption																						
<b>00N</b>	23-08 Night Consumption																						
<b>24M</b>	24Hour MD																						
<b>01D</b>	08-17 and 19-23 Day consumption																						
<b>01N</b>	23-08 Night consumption																						
<b>01P</b>	17-19 Peak consumption																						
<b>0NR</b>	08-21 MD Normal																						
<b>0PK</b>	17-19 MD Peak																						
4	FLD	Meter Register Sequence	1	Mandatory	Meter Register Sequence is an identifier to distinguish between different meter registers on a physical meter or set of meters.																		
4	FLD	Unit of Measurement	1	Mandatory	Units of measurement is a code that indicates the value that is measured e.g. KWh. See data codes for valid list of codes.																		

Retail Market Message Guide – Meter Works

Segment and Field Level Identifier – 332W			Rpt	Optionality	Description / Purpose and composition instructions
4	FLD	Meter Multiplier	1	Mandatory	Meter Multiplier is a factor to be applied to an advance or reading at a register in order to derive a true value.
4	FLD	Reading	1	Mandatory	Reading is the value of a reading in the form passed to the Data Processor measured in the units identified by the meter register prior to application of any multipliers.
4	FLD	Read Reason	1	Mandatory	Read Reason is a code that indicates the reason that a reading was collected. The valid code for retained meters is:  <b>09</b> Special Read – Non Chargeable
4	FLD	Read Type	1	Mandatory	Read Type is a code that indicates whether a reading is an Actual, Customer, Estimated or Substitute reading. This will always be set to either <b>A</b> – Actual, <b>E</b> – Estimated or <b>EF</b> – Estimate (Implausible / No read available).
4	FLD	Previous Read Date	1	Mandatory	Previous Read Date is the date to which a reading prior to the one currently being reported applies, i.e. this is the end of the of the previous consumption period for the register
4	FLD	Consumption	1	See instructions	This data item is only provided for on consumption meters. Consumption is the metered or estimated consumption for the period from a previous read date to this read date, measured in kWh.
4	FLD	Post Decimal Digits	1	Optional	The number of digits after the decimal place on a meter register. This data is provided where it is defined for register and device and is dependant upon meter category.
4	FLD	Pre Decimal Digits	1	Optional	The number of digits before the decimal place on a meter register This data is provided where it is defined for register and device and is



Retail Market Message Guide – Meter Works

Segment and Field Level Identifier – 332W			Rpt	Optionality	Description / Purpose and composition instructions
					dependant upon meter category.
4	FLD	Register Type	1	Mandatory	<p>Register Type is a code to indicate the purpose of the register. The valid entries are as follows:</p> <ul style="list-style-type: none"> <li><b>01</b> 24Hr</li> <li><b>02</b> Day</li> <li><b>03</b> Night</li> <li><b>04</b> NSH</li> <li><b>05</b> Wattless</li> <li><b>06</b> MD Normal</li> <li><b>07</b> MD Peak</li> <li><b>08</b> Cumulative MD Normal</li> <li><b>09</b> Cumulative MD Peak</li> <li><b>78</b> Day Off Peak</li> <li><b>79</b> Night Off Peak</li> <li><b>80</b> Peak</li> </ul>
4	FLD	Read Status	1	Mandatory	<p>Read Status is a code that indicates the status of the reading supplied. The following code value is allowed on this message:</p> <ul style="list-style-type: none"> <li><b>RWI</b> Reading withdrawn</li> </ul>

## 1.24 331 Interval Meter Technical Details

### Purpose / Description of Message

The 331 Interval Meter Technical Details message provides the Supplier registered to the Interval Meter point and, for QH Meter point, to TSO with the technical details of the meters installed at that meter point following meter works carried out at that meter point.

This includes the following details:

- The details applicable to the meter point, including MCC, DUOS Group and meter point status.
- The details of meters that have been removed from the Meter Point if applicable
- The details of meters that have been newly installed at a meter point including register / channel information for that meter if applicable.
- The details of meters that have been removed from the meter point and the de-energisation of the meter point at the same time
- The details of meters that have been exchanged for revenue protection purposes
- The details of the completion of the installation of signals ex MFM meter works

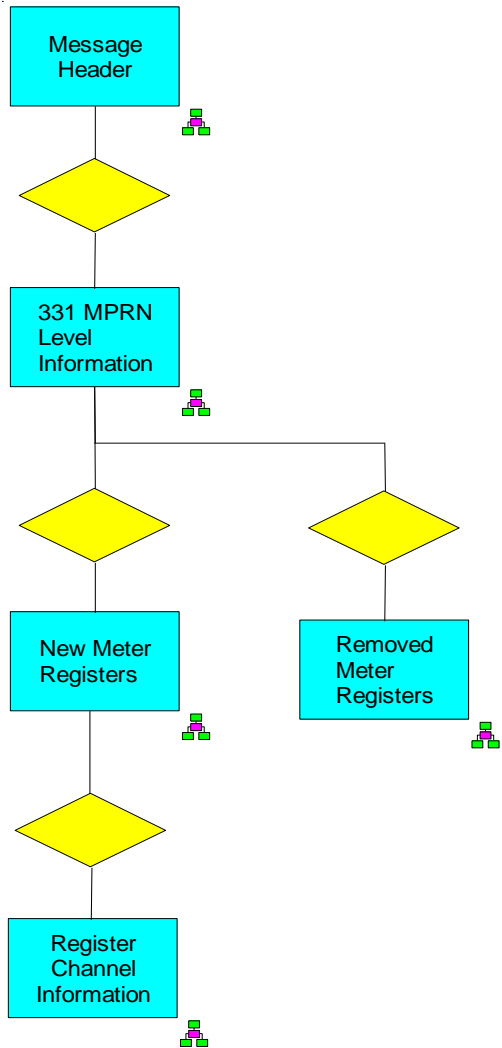
Message 331 is used in the following Market Processes:

Process Number and Title		Use of Message
MPD 2	Change of Supplier – Interval	To notify meter technical details to the new supplier after completion of a Interval Change of Supplier
MPD 6	New QH Metered Demand	To notify Interval meter technical details after completion of a new connection of a

## Retail Market Message Guide – Meter Works

Process Number and Title		Use of Message
	Connection	new Interval Metered Demand Connection
MPD 7 (1.1)	New Distribution Connected Non Participant Generator	To notify Interval meter technical details after completion of a new connection for a new Distribution Connected Non Participant Generator
MPD 7 (1.2)	New Distribution Connected Participant Generator	To notify Interval meter technical details after completion of a new connection for a new Distribution Connected Participant Generator
MPD 8 1.1.	Changes to Connection Characteristics	To notify Interval meter technical details after a change to connection characteristics
MPD 9	De-energisation	To notify Interval meter removal after de-energisation of a Interval site
MPD 11	Changes to Meter Configuration	To notify Interval meter technical details after a change in Meter Configuration
MPD 12	Meter Problems and Damages	To notify Interval meter technical details where resolution of meter problems and damage result in a change of Interval meter technical details
MPD 35	Change of Metering from Non Interval to Interval	To notify Interval meter technical details following completion of a change of metering from Non Interval to Interval
MPD 35.1	Change of Smart Data Service from Interval to Non Interval	To notify meter technical details for a Interval meter point following a change of metering from Interval to Non Interval
MPD 13	Planned Meter Exchange	To notify meter technical details for a Interval meter point
MPD 10	Re-Energise	To notify Interval meter technical details after re-energisation of an Interval site where a meter installation or reconfiguration from Non Interval to Interval has occurred

Data Hierarchy Diagram



## Retail Market Message Guide – Meter Works

### Message Structure

This section describes the structure of the 331 message. The purpose of the message segments and data items are explained and any rules for composition outlined.

Segment and Field Level Identifier – 331 Message			Rpt	Optionality	Description / Purpose and composition instructions
1	Message Header		1	Mandatory	<i>Refer to common data segments document</i>
1	Meter Point Details		1	Mandatory	
2	FLD	MPRN	1	Mandatory	The unique identifying reference number for the Meter Point that the customer has taken over. All elements of MPRN will be provided.
2	FLD	Market Participant Business Reference	1	See instructions	This is the Suppliers reference where provided on the inbound market message referenced back to Supplier. This message may be generated by Networks initiated work so will not always relate back to an originating Supplier request.
2	FLD	Networks Reference Number	1	Optional	Not used post System Separation
2	FLD	DUOS Group	1	Mandatory	Duos Group is a code which denotes the use of system tariff that applies to the MPRN.
2	FLD	Meter Configuration Code	1	See instructions	Meter Configuration Code (MCC) describes the current configuration of meter registers and other equipment at an MPRN which allow Customer Billing to take place. The MCC does not describe the specific metering equipment in use at an MPRN nor does it describe the overall capability of the metering equipment at the site.

Retail Market Message Guide – Meter Works

Segment and Field Level Identifier – 331 Message			Rpt	Optionality	Description / Purpose and composition instructions
2	FLD	Meter Point Status	1	Mandatory	Meter Point Status is a code to identify the connection status of a meter point. This will be set to one of the following on this message: <b>E</b> – Energised or <b>D</b> – De-energised.
2	FLD	Effective from Date	1	Mandatory	This is the date from which the meter point information supplied became effective.
2	FLD	Essential Plant	1	See Instructions	A flag will be set to : <b>1 i.e. a logical value of True – where ESNB determine a site is Essential Plant</b> <b>0 i.e. a logical value of False - where ESNB determine a site is no longer Essential Plant</b>
2	FLD	DUOS Billing Frequency Code	1	Mandatory	DUoS Billing Schedule for an MPRN with Half Hourly interval meter  B Bi-Monthly
2	FLD	DUOS Billing Cycle	1	Mandatory	The day in a 41 day cycle that a Half Hourly meter is due to be billed. Provided for Half Hourly Meter Points only
2	SEG	Removed Meter ID	0..N	Optional	This segment identifies the Interval Meters removed at a Meter Point if appropriate.
3	FLD	Meter Category	1	Optional	Meter Category is a code allocated by Meter Asset Manager to denote the manufacturer and type of meter. When combined with Serial Number it uniquely identifies device.

**Retail Market Message Guide – Meter Works**

Segment and Field Level Identifier – 331 Message			Rpt	Optionality	Description / Purpose and composition instructions
3	FLD	Serial Number	1	Mandatory	Serial No is the physical number found on a Meter. When combined with Meter Category it uniquely identifies device.
3	FLD	Exchanged Meter Reference	1	See instructions	A reference to allow the old and new meter to be related to each other in the case of a meter exchange. This is always provided where meters have been exchanged at an MPRN.
2	SEG	New Meter ID	0..N	Optional	This segment identifies the new Interval Meters fitted at a Meter Point if appropriate.
3	FLD	Meter Category	1	Optional	Meter Category is a code allocated by Meter Asset Manager to denote the manufacturer and type of meter. When combined with Serial Number it uniquely identifies device.
3	FLD	Serial Number	1	Mandatory	Serial No is the physical number found on a Meter. When combined with Meter Category it uniquely identifies device.
3	FLD	Meter Location	1	See instructions	Meter Location is a code that refers to the physical position of a meter at a premise. See list of data codes for valid codes for this item. In some circumstances no meter location code was convertible from legacy data. In such cases no Meter Location will be provided.
3	FLD	Exchanged Meter Reference	1	See instructions	A reference to allow the old and new meter to be related to each other in the case of a meter exchange. This is always provided where meters have been exchanged at an MPRN.
3	SEG	Register / Channel Information	1..N	Mandatory	This segment provides the information pertaining to the registers or channels on meters that have been fitted at the meter point.

Retail Market Message Guide – Meter Works

Segment and Field Level Identifier – 331 Message			Rpt	Optionality	Description / Purpose and composition instructions
4	FLD	Metering Interval	1	Mandatory	<p>Metering Interval identifies the length of a period when consumption is recorded on an Interval meter.</p> <p>15      15 minutes</p> <p>30      30 minutes</p> <p>24      24hr Cumulative Register End of Day reading</p>
4	FLD	Register Type	1	Mandatory	<p>Register Type is a code that indicates the purpose of the register. The valid register types on this message are as follows:</p> <p><b>50</b>          Import QH (Kw)</p> <p><b>51</b>          Import QH (kVAr)</p> <p><b>52</b>          Export QH (Kw)</p> <p><b>53</b>          Export QH (kVAr)</p> <p><b>70</b>          Import HH kW</p> <p><b>74</b>          Import 24hr kWh</p>
4	FLD	Unit of Measurements	1	Mandatory	<p>Units of measurement is a code that indicates the value that is measured. The valid codes on this message are:</p> <p><b>KWT</b>          kW</p> <p><b>KVR</b>          KVAr</p> <p><b>KWH</b>          kWh</p>



### **1.25 301 Meter Point Characteristics**

#### **Purpose / Description of Message**

The 301 Meter Point Characteristics message notifies the Supplier registered to the Non Interval / Interval Meter Point of the following:

**N.B** This message is also sent to TSO for Interval Meter Points

- An increased / decreased connection at that Meter Point
- Manual changes to Meter Point characteristics

The message includes the following details:

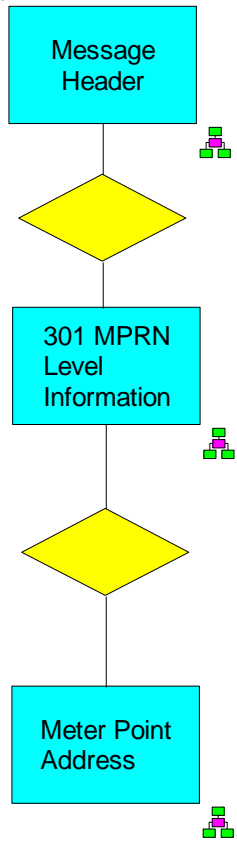
- Metered technical details for the meter point where applicable
- Confirmation of Meter Point Address.

Message 301 is used in the following Market Process:

**Retail Market Message Guide – Meter Works**

<b>Process Number and Title</b>		<b>Use of Message</b>
MPD 8 1.1.	Changes to Connection Characteristics	To notify Non Interval or Interval meter point characteristics following a change to connection characteristics

Data Hierarchy Diagram



## Retail Market Message Guide – Meter Works

### Message Structure

This section describes the structure of the 301 message. The purpose of the message segments and data items are explained and any rules for composition outlined.

Segment and Field Level Identifier – 301 Message			Rpt	Optionality	Description / Purpose and composition instructions
1 Message Header			1	Mandatory	<i>Refer to common data segments document</i>
1 Meter Point Details			1	Mandatory	
2	FLD	MPRN	1	Mandatory	The unique identifying reference number for the Meter Point that the customer has taken over. All elements of MPRN will be provided.
2	FLD	DLF (Distribution Loss Factor) Code	1	See instructions	<p>Distribution Loss Factor is either linked to the connection voltage or may be specific to a site. The Distribution Loss Factor itself is expressed as a multiplier and may vary according to time of day. It represents the number of KWH required to pass from the transmission system to provide 1 KWH of consumption at a connection point to the distribution system. For demand customers, it is a standard code dependent on connection voltage. For embedded generators, it is site specific. It is used in Data Aggregation. It is currently expressed as a value for day KWH and a value for night KWH.</p> <p>The code values for this item are as follows:</p> <p><b>LV</b>            Low voltage</p>

Retail Market Message Guide – Meter Works

Segment and Field Level Identifier – 301 Message			Rpt	Optionality	Description / Purpose and composition instructions
					<p><b>MV</b>      Medium voltage</p> <p><b>38KV</b>      38 KV</p> <p><b>110KV</b>      110 KV</p> <p>This item will only be changed following increased / decreased connections initiated by the Customer via Networks.</p>

2	FLD	Transformer Loss Factor	1	See instructions	<p>Transformer Loss Factor is a factor that is applied to account for transformer losses when a meter point is metered at lower voltage than the connection voltage. Where the consumption at a meter point is metered on the secondary side of the customer's primary transformer, the metered consumption is multiplied by the TLF to infer the consumption at the actual connection point.</p> <p>This item may be changed manually by Networks when changes to a connection result in a change to the TLF for a site. For example, change of transformer or metering.</p>
2	FLD	Connection System Code	1	See instructions	<p>Connection System is a code that indicates the network to which a meter point is connected.</p> <p>The code values for this item are as follows:</p> <p><b>DSO_GRID</b>      ESB Distribution</p>

**Retail Market Message Guide – Meter Works**

					<p><b>TSO_GRID</b> Eirgrid Transmission</p> <p>This item is provided for information on this message.</p>
2	FLD	Load Profile	1	See instructions	<p>Load Profile is a code that determines, when coupled with Timeslot, the derived profile to be applied to the consumption for settlement. This item may be changed following an increased / decreased connection, or manual change which results in an update to the Load Profile. See list of data codes for the valid list of codes.</p>
2	FLD	Load Factor	1	See instructions	<p>A code that defines the pattern of demand and so affects the load profile allocated to a Maximum demand Meter Point. The code will not be present for Interval or non-Maximum Demand Meter Points. Where present it will be set to one of the following values:</p> <p><b>LF1</b>            0&lt;30%</p> <p><b>LF2</b>            30% = &lt; LF 2 &lt; 50%</p> <p><b>LF3</b>            &gt;=50%</p> <p>This item may be changed manually by Networks following changes in patterns of demand, or may be changed following an increased / decreased connection.</p>
2	FLD	Maximum Import Capacity	1	See instructions	<p>Maximum Import Capacity is the capacity in kVA agreed in the connection agreement and permitted to be imported at a meter point.</p>

**Retail Market Message Guide – Meter Works**

					This item will only be changed following increased / decreased Connections initiated by the Customer via Networks.
2	FLD	Maximum Export Capacity	1	See instructions	Maximum Export Capacity is the capacity in kVA agreed in the connection agreement and permitted to be exported at a meter point.  This item will only be changed following increased / decreased connections initiated by the Customer via Networks.
2	FLD	MIC Start Date	1	Optional	Not used post System Separation
2	FLD	Current Changeable Service Capacity	1	Optional	Not used post System Separation
2	FLD	CSC Start Date	1	Optional	Not used post System Separation
2	FLD	CSC End Date	1	Optional	Not used post System Separation
2	FLD	Meter Configuration Code	1	See instructions	Meter Configuration Code (MCC) describes the current configuration of meter registers and other equipment at an MPRN which allow Customer Billing to take place. The MCC does not describe the specific metering equipment in use at an MPRN nor does it describe the overall capability of the metering equipment at the site.  This may be changed as part of an Increased / decreased connection.
2	FLD	DUOS Group	1	See instructions	DUOS Group is a code which denotes the use of system tariff that applies to the MPRN. This item may be changed as part of an increased / decreased connection initiated by Networks. See list of

**Retail Market Message Guide – Meter Works**

					data codes for valid entries here.
2	FLD	Effective from Date	1	Mandatory	This is the date from which the meter point characteristics provided became effective.
2	FLD	Essential Plant	1	See Instructions	A flag will be set to : <b>1 i.e. a logical value of True – where ESN determine a site is Essential Plant</b> <b>0 i.e. a logical value of False - where ESN determine a site is no longer Essential Plant</b>
2	SEG	Meter Point Address	1	Mandatory	The address at which the Meter Point is connected. This is provided to Suppliers as confirmation of the Meter Point address to which the changes apply. Networks will provide the Meter Point Address held on their systems in this segment.
3	FLD	Unit No.	1	Optional	This field can be used to populate information relating to the unit, flat or apartment number that can be part of an address.
3	FLD	Addr Line 1	1	Optional	This field can be used as overflow for address details
3	FLD	Addr Line 2	1	Optional	This field can be used as overflow for address details
3	FLD	House No.	1	Optional	This can be used to populate the number of a premises given as part of an address
3	FLD	Street	1	See instructions	This field stores information relating to the street part of an address. This field will be provided by Networks.
3	FLD	Addr Line 4	1	Optional	This field can be used as overflow for address details
3	FLD	Addr Line 5	1	Optional	This field can be used as overflow for address details



**Retail Market Message Guide – Meter Works**

3	FLD	Postal Code	1	Optional	<p>This is the Postal Code given as part of an address where appropriate. Ireland has implemented a Postal Code system called Eircode and where available it is recommended that these Postal Codes for Technical Contact Details are communicated in Market Messages.</p> <p>They should conform to the Eircode structure A65F4E2 (there is one allowable exception for the first three characters viz.D6W) where each Eircode is comprised of seven uppercase alpha/numeric characters.</p>
3	FLD	City	1	Optional	Used to populate the details of which City an address resides in where appropriate
3	FLD	County - Ireland	1	See instructions	This denotes the county in which an address is situated and is defined as a AN(3) field for Meter Point Address. This item will match one of the permissible values for County - Ireland codes. See the list of Data codes for permissible values here.
3	FLD	Country	1	See instructions	This denotes the Country in which a Meter Point address is situated and is defined as a AN(3) field. This item will be populated with the value <b>IE</b> – Ireland or <b>GB</b> –United Kingdom for Meter Point addresses.

## 1.26 301N Proposed Meter Point Characteristics

### Purpose / Description of Message

The 301N Proposed Meter Point Characteristics message notifies the Supplier registered to the Non Interval / Interval Meter Point that a Quotation involving an increased / decreased connection at that Meter Point is active.

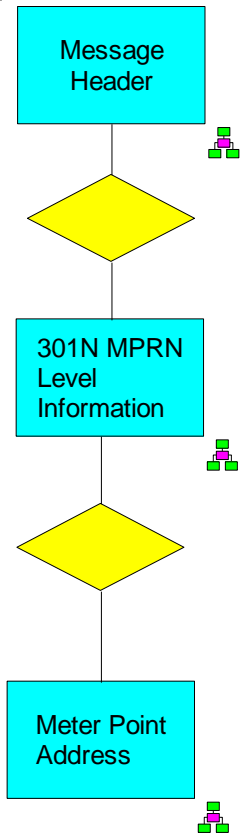
The message includes the following details:

- Proposed changes to Metered technical details for the meter point where applicable
- Confirmation of Meter Point Address.

Message 301N is used in the following Market Processes:

Process Number and Title		Use of Message
MPD 8 1.1.	Changes to Connection Characteristics	To notify Non Interval or Interval meter point characteristics following an active quotation from the customer for increased / decreased connection

Data Hierarchy Diagram



## Retail Market Message Guide – Meter Works

### Message Structure

This section describes the structure of the 301N message. The purpose of the message segments and data items are explained and any rules for composition outlined.

Segment and Field Level Identifier – 301N			Rpt	Optionality	Description / Purpose and composition instructions
1	Message Header		1	Mandatory	<i>Refer to common data segments document</i>
1	Meter Point Details		1	Mandatory	
2	FLD	MPRN	1	Mandatory	The unique identifying reference number for the Meter Point that the customer has taken over. All elements of MPRN will be provided.
2	FLD	DLF (Distribution Loss Factor) Code	1	See instructions	<p>Distribution Loss Factor is either linked to the connection voltage or may be specific to a site. The Distribution Loss Factor itself is expressed as a multiplier and may vary according to time of day. It represents the number of KWH required to pass from the transmission system to provide 1 KWH of consumption at a connection point to the distribution system. For demand customers, it is a standard code dependent on connection voltage. For embedded generators, it is site specific. It is used in Data Aggregation. It is currently expressed as a value for day KWH and a value for night KWH.</p> <p>The valid code values are as follows:</p> <p><b>LV</b>            Low voltage</p>

Retail Market Message Guide – Meter Works

Segment and Field Level Identifier – 301N			Rpt	Optionality	Description / Purpose and composition instructions
					<p><b>MV</b>      Medium voltage</p> <p><b>38KV</b>      38 KV</p> <p><b>110KV</b>      110 KV</p> <p>This item will only be changed when increased / decreased connections are proposed by the Customer via Networks.</p>
2	FLD	Transformer Loss Factor	1	See instructions	<p>Transformer Loss Factor is a factor that is applied to account for transformer losses when a meter point is metered at lower voltage than the connection voltage. Where the consumption at a meter point is metered on the secondary side of the customer's primary transformer, the metered consumption is multiplied by the TLF to infer the consumption at the actual connection point.</p> <p>This item will only be changed where increased / decreased connections are proposed by the Customer via Networks.</p>
2	FLD	Connection System Code	1	See instructions	<p>Connection System is a code that indicates the network to which a meter point is connected.</p> <p>The valid code values are as follows:</p> <p><b>DSO_GRID</b>      ESB Distribution</p>

Retail Market Message Guide – Meter Works

Segment and Field Level Identifier – 301N			Rpt	Optionality	Description / Purpose and composition instructions
					<p><b>TSO_GRID</b> Eirgrid Transmission</p> <p>This item is provided for information on this message.</p>
2	FLD	Load Profile	1	See instructions	<p>Load Profile is a code that determines, when coupled with Timeslot, the derived profile to be applied to the consumption for settlement. This item may be changed where increased / decreased connections that affect the load profile are proposed by Networks. See list of data codes for the valid list of codes.</p>
2	FLD	Load Factor	1	See instructions	<p>A code that defines the pattern of demand and so affects the load profile allocated to a Maximum demand Meter Point. The code will not be present for Interval or non-Maximum Demand Meter Points. Where present it will be set to one of the following values:</p> <p><b>LF1</b> &lt; 30%</p> <p><b>LF2</b> 30 =&lt; LF2 &lt;50%</p> <p><b>LF3</b> &gt;=50%</p> <p>This item may be changed where increased / decreased connections that affect the load factor are proposed by the Customer via Networks.</p>
2	FLD	Maximum Import Capacity	1	See instructions	<p>Maximum Import Capacity is the capacity in kVA agreed in the connection agreement and permitted to be imported at a meter point.</p>

**Retail Market Message Guide – Meter Works**

Segment and Field Level Identifier – 301N			Rpt	Optionality	Description / Purpose and composition instructions
					This item will only be changed where increased / decreased connections are proposed by the Customer via Networks.
2	FLD	Maximum Export Capacity	1	See instructions	<p>Maximum Export Capacity is the capacity in kVA agreed in the connection agreement and permitted to be exported at a meter point.</p> <p>This item will only be changed where increased / decreased connections are proposed by the Customer via Networks which change the MEC at a meter point.</p>
2	FLD	Meter Configuration Code	1	See instructions	<p>Meter Configuration Code (MCC) describes the current configuration of meter registers and other equipment at an MPRN which allow Customer Billing to take place. The MCC does not describe the specific metering equipment in use at an MPRN nor does it describe the overall capability of the metering equipment at the site.</p> <p>This may be changed when an MCC change forms part of a proposed increased / decreased connection.</p>
2	FLD	DUOS Group	1	See instructions	<p>DUOS Group is a code which denotes the use of system tariff that applies to the MPRN. This item may be changed where a change in DuoS Group forms part of an increased / decreased connection proposed by Networks. See list of data codes for valid entries here.</p>

## Retail Market Message Guide – Meter Works

Segment and Field Level Identifier – 301N			Rpt	Optionality	Description / Purpose and composition instructions
2	SEG	Meter Point Address	1	Mandatory	The address at which the Meter Point is connected. This is provided to Suppliers as confirmation of the Meter Point address to which the changes apply. Networks will provide the Meter Point Address held on their systems in this segment.
3	FLD	Unit No.	1	Optional	This field can be used to populate information relating to the unit, flat or apartment number that can be part of an address.
3	FLD	Addr Line 1	1	Optional	This field can be used as overflow for address details
3	FLD	Addr Line 2	1	Optional	This field can be used as overflow for address details
3	FLD	House No.	1	Optional	This can be used to populate the number of a premises given as part of an address
3	FLD	Street	1	See instructions	This field stores information relating to the street part of an address. This field will be provided by Networks.
3	FLD	Addr Line 4	1	Optional	This field can be used as overflow for address details
3	FLD	Addr Line 5	1	Optional	This field can be used as overflow for address details
3	FLD	Postal Code	1	Optional	<p>This is the Postal Code given as part of an address where appropriate. Ireland has implemented a Postal Code system called Eircode and where available it is recommended that these Postal Codes for Technical Contact Details are communicated in Market Messages.</p> <p>They should conform to the Eircode structure A65F4E2 (there is one allowable exception for the first three characters viz.D6W) where</p>



Retail Market Message Guide – Meter Works

Segment and Field Level Identifier – 301N			Rpt	Optionality	Description / Purpose and composition instructions
					each Eircode is comprised of seven uppercase alpha/numeric characters.
3	FLD	City	1	Optional	Used to populate the details of which City an address resides in where appropriate
3	FLD	County - Ireland	1	See instructions	This denotes the county in which an address is situated and is defined as a AN(3) field for Meter Point Address. This item will match one of the permissible values for County - Ireland codes. See the list of Data codes for permissible values here.
3	FLD	Country	1	See instructions	This denotes the Country in which a Meter Point address is situated and is defined as a AN(3) field. This item will be populated with the value <b>IE</b> – Ireland or <b>GB</b> –United Kingdom for Meter Point addresses.

1.27 311 Meter Problems

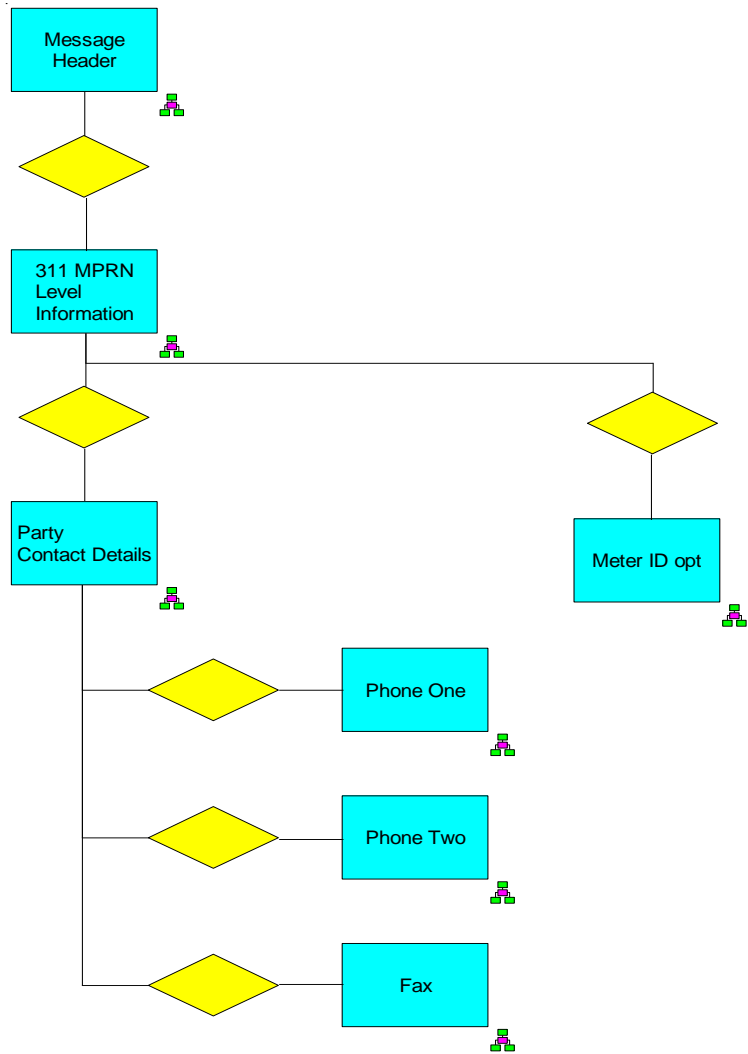
**Purpose / Description of Message**

The purpose of the 311 Meter Problems message is to notify the Registered Supplier of the Meter Point of problems observed at that Meter Point.

Message 311 is used in the following Market Processes:

Process Number and Title		Use of Message
MPD 12	Meter Problems and Damage	To notify supplier of problems observed at the Meter Point
MPD 17	Adjustments and Consumption	To notify supplier of problems observed at the Meter Point

Data Hierarchy Diagram



## Retail Market Message Guide – Meter Works

### Message Structure

This section describes the structure of the 311 message. The purpose of the message segments and data items are explained and any rules for composition outlined.

Segment and Field Level Identifier – 311 Message			Rpt	Optionality	Description / Purpose and composition instructions
1	Message Header		1	Mandatory	<i>Refer to common data segments document</i>
1	Meter Point Details		1	Mandatory	
2	FLD	MPRN	1	Mandatory	The unique identifying reference number for the Meter Point that the customer has taken over. All elements of MPRN will be provided.
2	SEG	Party Contact Details	1	Optional	Party Contact Details provides details such as contact name, organisation and department, telephone, e-mail and/or fax details enabling the party to be contacted. This allows Networks to forward their contact details in case of queries with the message.
3	FLD	Phone number 1	1	See instructions	This is the principal phone number of a contact and will be populated if the segment is provided.
3	FLD	Phone Ext1	1	See instructions	This is the principal phone number overflow field for storing number extensions where applicable
3	FLD	Phone number 2	1	Optional	This field can be used for the secondary phone number where this is required.
3	FLD	Phone Ext2	1	Optional	This is the secondary phone number overflow field for storing number extensions where applicable.
3	FLD	Fax	1	Optional	This field is intended to store a Fax telephone number where applicable

Retail Market Message Guide – Meter Works

Segment and Field Level Identifier – 311 Message			Rpt	Optionality	Description / Purpose and composition instructions
3	FLD	Fax Ext	1	Optional	This field is intended to store a Fax extension telephone number where applicable
3	FLD	Email	1	Optional	This field is intended to store electronic mail address details where applicable
2	FLD	Observation Code	1	Mandatory	<p>Observation Code is a code that describes observations made at or concerning a meter point or meters at a meter point. Valid observation codes for this message are as follows:</p> <ul style="list-style-type: none"> <li><b>31</b> Suspect/Tampered</li> <li><b>32</b> Meter Damaged</li> <li><b>33</b> Glass broken</li> <li><b>34</b> R/M seal broken</li> <li><b>35</b> Local seal broken</li> <li><b>36</b> Meter reversing</li> <li><b>37</b> Meter stopped</li> <li><b>38</b> Cab Door broken</li> <li><b>39</b> Cab Door Missing</li> <li><b>40</b> Meter Exchanged</li> <li><b>41</b> Meter Removed</li> <li><b>42</b> Meter Upside down</li> </ul>

Retail Market Message Guide – Meter Works

Segment and Field Level Identifier – 311 Message			Rpt	Optionality	Description / Purpose and composition instructions
					<p><b>43</b> Meter Board Loose</p> <p><b>44</b> 4 Digit meter</p> <p><b>45</b> 6 Digit meter</p> <p><b>46</b> Time Switch stopped</p> <p><b>47</b> Time Switch at wrong time &gt; 2 hours</p> <p><b>48</b> Time Switch broken</p> <p><b>49</b> Stuck on Night</p> <p><b>50</b> Delete Access Instruction</p> <p><b>51</b> Premises in use</p> <p><b>52</b> Builder on Premises</p> <p><b>99</b> Freeform Trouble message – See observation text.</p>
2	FLD	Observation Date	1	Mandatory	Observation Date is the date an observation was made.
2	FLD	Observation Text	1	Optional	Observation Text provides a description of an observation and may be used to convey comments regarding a problem. Observation text will be provided where Observation Code is set to <b>99</b> (See above) and in other cases as necessary.
2	SEG	Meter ID	0..1	Optional	This segment provides information relating to a particular meter installed at a meter point to which observation details can apply. This segment is only provided where observations apply to a particular

Retail Market Message Guide – Meter Works

Segment and Field Level Identifier – 311 Message			Rpt	Optionality	Description / Purpose and composition instructions
					<p>Meter at a Meter Point.</p> <p><b>N.B</b> This segment should be 0..1 as per 260 and 261 messages. Only one Meter ID will be provided. If problems are found at more than one meter at a meter point separate messages are sent for each meter affected.</p>
3	FLD	Meter Category	1	Optional <sup>1</sup>	<p>Meter Category is a code allocated by Meter Asset Manager to denote the manufacturer and type of meter. When combined with Serial Number it uniquely identifies a Meter. This item is only populated if observations apply to a particular meter or meters at a meter point.</p> <p>Item should be Mandatory as on 260,261 – where segment is provided item will always be populated.</p>
3	FLD	Serial Number	1	Optional <sup>1</sup>	<p>Serial No is the physical number found on a meter. When combined with meter category it uniquely identifies a device.</p> <p>Item should be Mandatory as on 260,261 – where segment is provided item will always be populated.</p>

---

<sup>1</sup> Market Message Guide error – these fields are optional on the schema

### 1.28 260 Observation of Problem, Damage or Tampering

#### Purpose / Description of Message/Validation

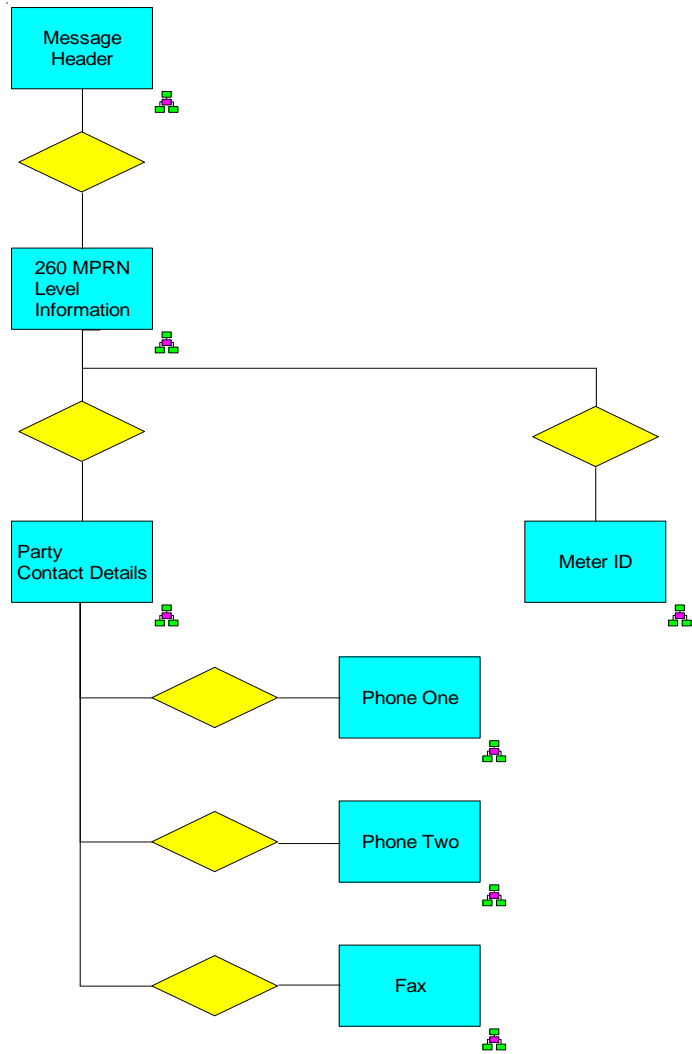
The 260 Observation of problem, Damage or Tampering message allows the Supplier registered to the Meter Point to notify Networks of problems identified at a Meter point. . DSO will undertake validation of the message at segment and field level

Message 260 is used in the following Market Process:

Process Number and Title		Use of Message
MPD 12	Meter Problems and Damage	To notify ESB Networks of problems observed at the Meter Point



Data Hierarchy Diagram



**Message Structure/Validation**

This section describes the structure of the 260 message. The purpose of the message segments and data items are explained and any rules for composition outlined together with the validation which the DSO undertakes at segment and field level <b>Segment and Field Level Identifier – 260 Message</b>			Rpt	Optionality	Description / Purpose and composition instructions	Validation
1 Message Header			1	Mandatory	<i>Refer to common data segments document</i>	
1 Meter Point Details			1	Mandatory		
2	FLD	MPRN	1	Mandatory	The unique identifying reference number for the Meter Point that the customer has taken over. All elements of MPRN must be provided.	Message will fail validation if a valid MPRN registered to the Supplier is not provided.
2	FLD	Market Participant Business Reference	1	Mandatory	This is the Suppliers number given as reference in the request. This will be used in future contact with Suppliers to reference the request.	Mandatory Message will fail validation if this field is not populated.
2	FLD	Supplier ID	1	Mandatory	Supplier ID is the identification code of a Supplier. This must be the valid Supplier for the Meter Point.	The Supplier to whom the Meter Point is registered. A check is made to ensure that the Supplier is registered to the Meter Point.
2	SEG	Party Contact Details	1	Optional	Party Contact Details provides details such as contact name, organisation and department, telephone, e-mail and/or fax details enabling the	No validation of this segment

**Retail Market Message Guide – Meter Works**

This section describes the structure of the 260 message. The purpose of the message segments and data items are explained and any rules for composition outlined together with the validation which the DSO undertakes at segment and field level <b>Segment and Field Level Identifier – 260 Message</b>			Rpt	Optionality	Description / Purpose and composition instructions	Validation
					party to be contacted. This allows Supplier to forward their contact details in case of queries with the message.	
3	FLD	Phone number 1	1	See instructions	This is the principal phone number of a contact and must be populated if the segment is provided.	No validation of this field.
3	FLD	Phone Ext1	1	See instructions	This is the principal phone number overflow field for storing number extensions where applicable	No validation of this field
3	FLD	Phone number 2	1	Optional	This field can be used for the secondary phone number where this is required.	No validation of this field
3	FLD	Phone Ext2	1	Optional	This is the secondary phone number overflow field for storing number extensions where applicable.	No validation of this field
3	FLD	Fax	1	Optional	This field is intended to store a Fax telephone number where applicable	No validation of this field
3	FLD	Fax Ext	1	Optional	This field is intended to store a Fax extension telephone number where applicable	No validation of this field

**Retail Market Message Guide – Meter Works**

This section describes the structure of the 260 message. The purpose of the message segments and data items are explained and any rules for composition outlined together with the validation which the DSO undertakes at segment and field level <b>Segment and Field Level Identifier – 260 Message</b>			Rpt	Optionality	Description / Purpose and composition instructions	Validation
3	FLD	Email	1	Optional	This field is intended to store electronic mail address details where applicable	No validation of this field.
2	FLD	Observation Code	1	Mandatory	<p>Observation Code is a code that describes observations made at or concerning a meter point or meters at a meter point. Valid observation codes for this message are as follows:</p> <ul style="list-style-type: none"> <li><b>31</b> Suspect/Tampered</li> <li><b>32</b> Meter Damaged</li> <li><b>33</b> Glass broken</li> <li><b>34</b> R/M seal broken</li> <li><b>35</b> Local seal broken</li> <li><b>36</b> Meter reversing</li> <li><b>37</b> Meter stopped</li> </ul>	Message will fail validation if one of the code values specified is not populated.

**Retail Market Message Guide – Meter Works**

This section describes the structure of the 260 message. The purpose of the message segments and data items are explained and any rules for composition outlined together with the validation which the DSO undertakes at segment and field level <b>Segment and Field Level Identifier – 260 Message</b>		Rpt	Optionality	Description / Purpose and composition instructions	Validation
				<b>38</b> Cab Door broken <b>39</b> Cab Door Missing <b>40</b> Meter Exchanged <b>41</b> Meter Removed <b>42</b> Meter Upside down <b>43</b> Meter Board Loose <b>44</b> 4 Digit meter <b>45</b> 6 Digit meter <b>46</b> Time Switch stopped <b>47</b> Time Switch at wrong time > 2 hours <b>48</b> Time Switch broken <b>49</b> Stuck on Night	

**Retail Market Message Guide – Meter Works**

This section describes the structure of the 260 message. The purpose of the message segments and data items are explained and any rules for composition outlined together with the validation which the DSO undertakes at segment and field level <b>Segment and Field Level Identifier – 260 Message</b>			Rpt	Optionality	Description / Purpose and composition instructions	Validation
					<b>50</b> Delete Access Instruction  <b>51</b> Premises in use  <b>52</b> Builder on Premises  Freeform Trouble message – See observation text.  <b>99</b>  If code <b>99</b> is provided Suppliers must populate the text field provided below.	
2	FLD	Observation Date	1	Mandatory	Observation Date is the date an observation was made.	Message will fail validation if this field is not populated
2	FLD	Observation Text	1	Optional	Observation Text provides a description of an observation and may be used to convey comments regarding a problem. Observation text must be provided where Observation Code is set to <b>99</b> (See above) and in other cases where applicable.	No validation of this field

**Retail Market Message Guide – Meter Works**

This section describes the structure of the 260 message. The purpose of the message segments and data items are explained and any rules for composition outlined together with the validation which the DSO undertakes at segment and field level <b>Segment and Field Level Identifier – 260 Message</b>			Rpt	Optionality	Description / Purpose and composition instructions	Validation
2	SEG	Meter ID	1	Optional	This segment provides information relating to a particular meter installed at a meter point to which observation details can apply. This segment must be populated if Suppliers wish to make observations relating to a particular meter at a Meter Point.	This segment provides information relating to particular meters installed at a meter point to which observation details can apply.
3	FLD	Meter Category	1	Optional	Meter Category is a code allocated by Meter Asset Manager to denote the manufacturer and type of meter. When combined with Serial Number it uniquely identifies a device. This item must be populated if observations apply to a particular meter at a meter point.	This item must be populated if observations apply to a particular meter at a meter point. Message will fail validation if omitted.
3	FLD	Serial Number	1	Mandatory	Serial No is the physical number found on a Meter. When combined with Meter Category it uniquely identifies a device. This item must be populated if observations apply to a particular meter at a Meter point.	This item must be populated if observations apply to a particular meter at a meter point. Message will fail validation if omitted.

### 1.29 261 Resolution of Problem, Damage or Tampering

#### Purpose / Description of Message

The 261 Resolution of problem, Damage or Tampering message allows ESB Networks to inform the Supplier registered to the Meter Point that problems with the meter point notified by Supplier on a 260 or by Networks on a 311 have been resolved.

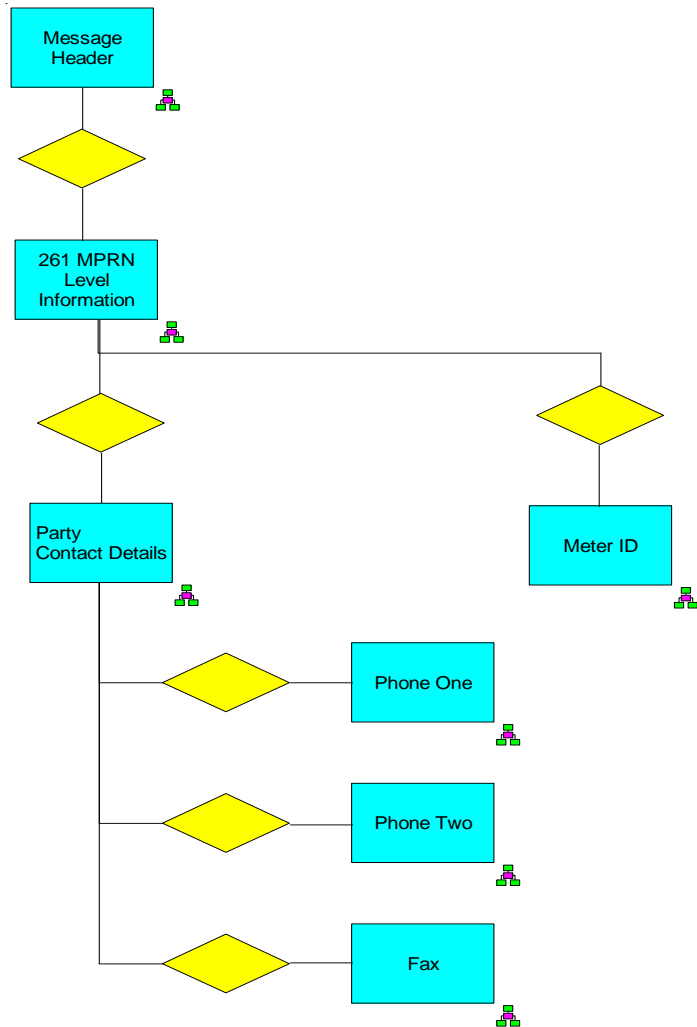
Message 261 is used in the following Market Process:

Process Number and Title		Use of Message
MPD 12	Meter Problems and Damage	To notify supplier of resolution of problems observed at the Meter Point



# Retail Market Message Guide – Meter Works

## Data Hierarchy Diagram



## Message Structure

This section describes the structure of the 261 message. The purpose of the message segments and data items are explained and any rules for composition outlined.

Segment and Field Level Identifier - 261 Message			Rpt	Optionality	Description / Purpose and composition instructions	
1	Message Header		1	Mandatory	<i>Refer to common data segments document</i>	
1	Meter Point Details		1	Mandatory		
2	FLD	MPRN	1	Mandatory	The unique identifying reference number for the Meter Point that the customer has taken over. All elements of MPRN will be provided.	
2	FLD	Market Participant Business Reference	1	Optional	This is the reference provided on the 260 message referenced back to Supplier where appropriate. This message may be generated by Networks initiated work so will not always relate back to an originating Supplier 260 message. In such cases this item will not be provided.	
2	SEG	Party Contact Details	1	Optional	Party Contact Details provides details such as contact name, organisation and department, telephone, e-mail and/or fax details enabling the party to be contacted. This allows Networks to forward their contact details in case of queries with the message.	
	3	FLD	Phone number 1	1	See instructions	This is the principal phone number of a contact and must be populated if the segment is provided.
	3	FLD	Phone Ext1	1	See instructions	This is the principal phone number overflow field for storing number extensions where applicable

Retail Market Message Guide – Meter Works

Segment and Field Level Identifier - 261 Message			Rpt	Optionality	Description / Purpose and composition instructions
3	FLD	Phone number 2	1	Optional	This field can be used for the secondary phone number where this is required.
3	FLD	Phone Ext2	1	Optional	This is the secondary phone number overflow field for storing number extensions where applicable.
3	FLD	Fax	1	Optional	This field is intended to store a Fax telephone number where applicable
3	FLD	Fax Ext	1	Optional	This field is intended to store a Fax extension telephone number where applicable
3	FLD	Email	1	Optional	This field is intended to store electronic mail address details where applicable
2	FLD	Observation Code	1	Mandatory	<p>Observation Code is a code that describes observations made at or concerning a meter point or meters at a meter point. Valid observation codes for this message are as follows:</p> <ul style="list-style-type: none"> <li><b>31</b>            Suspect/Tampered</li> <li><b>32</b>            Meter Damaged</li> <li><b>33</b>            Glass broken</li> <li><b>34</b>            R/M seal broken</li> <li><b>35</b>            Local seal broken</li> <li><b>36</b>            Meter reversing</li> </ul>

**Retail Market Message Guide – Meter Works**

Segment and Field Level Identifier - 261 Message			Rpt	Optionality	Description / Purpose and composition instructions
					37 Meter stopped
					38 Cab Door broken
					39 Cab Door Missing
					40 Meter Exchanged
					41 Meter Removed
					42 Meter Upside down
					43 Meter Board Loose
					44 4 Digit meter
					45 6 Digit meter
					46 Time Switch stopped
					47 Time Switch at wrong time > 2 hours
					48 Time Switch broken
					49 Stuck on Night
					50 Delete Access Instruction
					51 Premises in use
					52 Builder on Premises
					99 Freeform Trouble message – See observation text.

Retail Market Message Guide – Meter Works

Segment and Field Level Identifier - 261 Message			Rpt	Optionality	Description / Purpose and composition instructions
					If code <b>99</b> is provided Networks will populate the text field provided below.
2	FLD	Observation Date	1	Mandatory	Observation Date is the date an observation was made.
2	FLD	Observation Text	1	Optional	Observation Text provides a description of an observation and may be used to convey comments regarding a problem. Observation text must be provided where Observation Code is set to <b>99</b> (See above) or may be provided in other cases where applicable.
2	SEG	Meter ID	0..1	Optional	This segment provides information relating to a particular meter installed at a meter point to which observation details can apply. This segment is only provided where observations apply to a particular Meter at a Meter Point.
3	FLD	Meter Category	1	Optional	Meter Category is a code allocated by Meter Asset Manager to denote the manufacturer and type of meter. When combined with Serial Number it uniquely identifies a device. This item will be populated if observations apply to a particular meter at a meter point.
3	FLD	Serial Number	1	Mandatory	Serial No is the physical number found on a Meter. When combined with Meter Category it uniquely identifies a device. This item will be populated if observations apply to a particular meter at a meter point.

### 1.30 330 Notification of change of metering to Interval

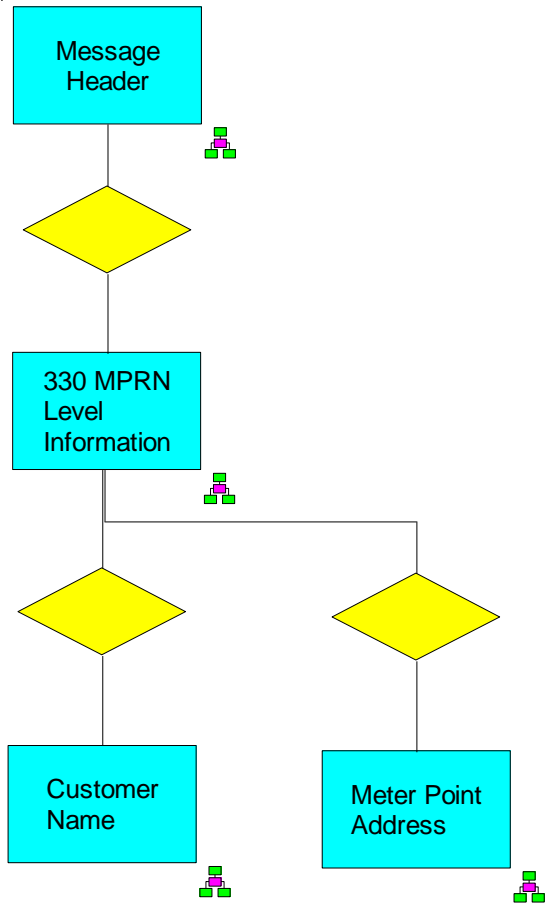
#### Purpose / Description of Message

The 330 message allows ESB Networks to notify TSO when the metering at a meter point is changing to Interval

Message 330 is used in the following Market Processes:

Process Number and Title		Use of Message
MPD 8 1.1.	Changes to Connection Characteristics	To notify updated customer details after a change to Interval meter connection characteristics where applicable
MPD 11	Changes to Meter Configuration	To notify updated customer details after a change in Interval Meter Configuration where applicable
MPD 35	Change of metering to Interval	To notify TSO of a change of metering to Interval

Data Hierarchy Diagram



### Message Structure

This section describes the structure of the 330 message. The purpose of the message segments and data items are explained and any rules for composition outlined.

Segment and Field Level Identifier – 330 Message			Rpt	Optionality	Description / Purpose and composition instructions
1 Message Header			1	Mandatory	<i>Refer to common data segments document</i>
1 Meter Point Details			1	Mandatory	
2	FLD	MPRN	1	Mandatory	The unique identifying reference number for the Meter Point that the customer has taken over. All elements of MPRN will be provided.
2	FLD	Maximum Import Capacity	1	See instructions	Maximum Import Capacity is the capacity in kVA agreed in the connection agreement and permitted to be imported at a meter point.
2	FLD	Connection System Code	1	See instructions	Connection System is a code that indicates the network to which a meter point is connected.  The code values for this item are as follows:



Retail Market Message Guide – Meter Works

Segment and Field Level Identifier – 330 Message			Rpt	Optionality	Description / Purpose and composition instructions
					<p><b>DSO_GRID</b>    ESB Distribution</p> <p><b>TSO_GRID</b>    Eirgrid Transmission</p> <p>This item is provided for information on this message.</p>
2	FLD	DLF (Distribution Loss Factor) Code	1	See instructions	<p>Distribution Loss Factor is either linked to the connection voltage or may be specific to a site. The Distribution Loss Factor itself is expressed as a multiplier and may vary according to time of day. It represents the number of KWH required to pass from the transmission system to provide 1 KWH of consumption at a connection point to the distribution system. For demand customers, it is a standard code dependent on connection voltage. For embedded generators, it is site specific. It is used in Data Aggregation. It is currently expressed as a value for day KWH and a value for night KWH.</p> <p>The code values for this item are as follows:</p> <p><b>LV</b>            Low voltage</p> <p><b>MV</b>            Medium voltage</p> <p><b>38KV</b>         38 KV</p> <p><b>110KV</b>        110 KV</p>

## Retail Market Message Guide – Meter Works

Segment and Field Level Identifier – 330 Message			Rpt	Optionality	Description / Purpose and composition instructions
					This item will only be changed following increased / decreased connections initiated by the Customer via Networks.
2	FLD	Supplier ID	1	Mandatory	The Supplier to whom the Meter Point is registered.
2	FLD	SSAC	1	Mandatory	The arrangement, requested by the Supplier, under which consumption usage will be aggregated for settlement.
2	FLD	Meter Point Status	1	Mandatory	Meter Point Status on a 330 message is a code to identify the connection status of a meter point.
2	FLD	Transformer Loss Factor	1	See instructions	<p>Transformer Loss Factor is a factor that is applied to account for transformer losses when a meter point is metered at lower voltage than the connection voltage. Where the consumption at a meter point is metered on the secondary side of the customer's primary transformer, the metered consumption is multiplied by the TLF to infer the consumption at the actual connection point.</p> <p>This item may be changed manually by Networks when changes to a connection result in a change to the TLF for a site. For example, change of transformer or metering.</p>
2	FLD	DUOS Group	1	See instructions	DUOS Group is a code which denotes the use of system tariff that applies to the MPRN. This item may be changed as part of an increased / decreased connection initiated by Networks. See list of data codes for valid entries here.
2	FLD	Maximum Export Capacity	1	See	Maximum Export Capacity is the capacity in kVA agreed in the

## Retail Market Message Guide – Meter Works

				instructions	connection agreement and permitted to be exported at a meter point. This item is mandatory if available.	
2	SEG	Meter Point Address		1	Mandatory	The address at which the Meter Point is connected. This is provided to Suppliers as confirmation of the Meter Point address to which the changes apply. Networks will provide the Meter Point Address held on their systems in this segment.
3	FLD	Unit No.		1	Optional	This field can be used to populate information relating to the unit, flat or apartment number that can be part of an address.
3	FLD	Addr Line 1		1	Optional	This field can be used as overflow for address details
3	FLD	Addr Line 2		1	Optional	This field can be used as overflow for address details
3	FLD	House No.		1	Optional	This can be used to populate the number of a premises given as part of an address
3	FLD	Street		1	See instructions	This field stores information relating to the street part of an address. This field will be provided by Networks.
3	FLD	Addr Line 4		1	Optional	This field can be used as overflow for address details
3	FLD	Addr Line 5		1	Optional	This field can be used as overflow for address details
3	FLD	Postal Code		1	Optional	This is the Postal Code given as part of an address where appropriate. Ireland has implemented a Postal Code system called Eircode and where available it is recommended that these Postal Codes for Technical Contact Details are communicated in Market Messages.  They should conform to the Eircode structure A65F4E2 (there is one allowable exception for the first three characters viz.D6W) where each Eircode is comprised of seven uppercase alpha/numeric characters.

**Retail Market Message Guide – Meter Works**

3	FLD	City	1	Optional	Used to populate the details of which City an address resides in where appropriate
3	FLD	County - Ireland	1	See instructions	This denotes the county in which an address is situated and is defined as a AN(3) field for Meter Point Address. This item will match one of the permissible values for County - Ireland codes. See the list of Data codes for permissible values here.
3	FLD	Country	1	See instructions	This denotes the Country in which a Meter Point address is situated and is defined as a AN(3) field. This item will be populated with the value <b>IE</b> – Ireland or <b>GB</b> –United Kingdom for Meter Point addresses.
2	SEG	Customer Name	1	Mandatory	The customer name stored by Networks  See Common Data Segments for a description of individual data fields.

## Retail Market Message Guide – Meter Works

### 1.131 131 Works Status

#### Purpose / Description of Message

The 131 message allows ESB Networks to notify Suppliers of the status of a meter works request, de-energisation request, re-energisation request, revenue protection and meter problem calls

Message 131 is used in the following Market Processes:

Process Number and Title		Use of Message
MPD 9	De-energisation	To notify a supplier of the work status of a request for a change of meter point status to 'D'
MPD 10	Re-energisation	To notify a supplier of the work status of a request for a change of meter point status to 'E'
MPD 11	Changes to Meter Configuration	To notify a supplier of the work status of a request for a change of meter configuration
MPD 12	Meter problems and damage	To notify a supplier of the work status of a meter problem or damage call
MPD 24	Change to Customer Details	To notify a supplier of the work status of a Smart Data Services change request
MPD 25	Change of Legal Entity	To notify a supplier of the work status of a Smart Data Services change request

Message 131 **will be issued in the following circumstances:**

- At various points in the NPA and Non NPA de-energisations, re-energisations, meter works and revenue protection processes

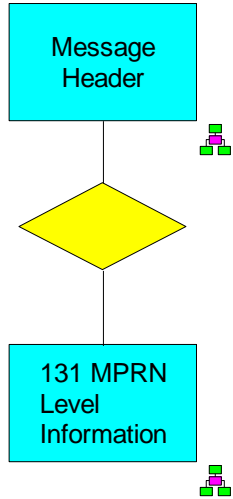
## Retail Market Message Guide – Meter Works

- Only supplier requested works (the exception to this being revenue protection where 131 is sent for both supplier requested and networks requested works)
- When work requested was not completed but call is FINId
- When a call is cancelled by supplier request
- When a call is set as rescheduled.

Message 131 **will not be issued in the following circumstances:**

- To acknowledge receipt of supplier works requests
- When supplier works completes successfully (the exception to this being revenue protection where the 131 will always be sent for FINId status)

### Data Hierarchy Diagram



Retail Market Message Guide – Meter Works

Message Structure

This section describes the structure of the 131 message. The purpose of the message segments and data items are explained and any rules for composition outlined.

Segment and Field Level Identifier - 131 Message			Rpt	Optionality	Description / Purpose and composition instructions										
1	Message Header		1	Mandatory	<i>Refer to common data segments document</i>										
1	Meter Point Details		1	Mandatory											
2	FLD	MPRN	1	Mandatory	The unique identifying reference number for the Meter Point that the customer has taken over. All elements of MPRN will be provided.										
2	FLD	Market Participant Business Reference	1	Optional	This is the reference provided on the inbound message referenced back to Supplier where appropriate. This message may be generated by Networks initiated work so will not always relate back to an originating message. In such cases this item will not be provided.										
2	FLD	131 Request Status	1	Mandatory	This is a code indicating the status of the original request: <table border="1" data-bbox="1167 970 1888 1289"> <thead> <tr> <th>Status</th> <th>Description</th> </tr> </thead> <tbody> <tr> <td>A</td> <td>Work request accepted</td> </tr> <tr> <td>X</td> <td>Work is cancelled</td> </tr> <tr> <td>C1</td> <td>Work Physically complete and call complete</td> </tr> <tr> <td>C2</td> <td>Work Physically Incomplete and call</td> </tr> </tbody> </table>	Status	Description	A	Work request accepted	X	Work is cancelled	C1	Work Physically complete and call complete	C2	Work Physically Incomplete and call
Status	Description														
A	Work request accepted														
X	Work is cancelled														
C1	Work Physically complete and call complete														
C2	Work Physically Incomplete and call														

Retail Market Message Guide – Meter Works

Segment and Field Level Identifier - 131 Message			Rpt	Optionality	Description / Purpose and composition instructions																
					<table border="1"> <tr> <td></td> <td>complete</td> </tr> <tr> <td>R</td> <td>Work is Rescheduled</td> </tr> </table>		complete	R	Work is Rescheduled												
	complete																				
R	Work is Rescheduled																				
2	FLD	Appointment ID	1	Optional	Not in use in ROI																
2	FLD	Date of Visit	1	Optional	This is the scheduled date for the order. It should also be the date the order is FINId. When the order status is RESC, this field will not show rescheduled date. Where a call is cancelled (status = WCCH or WCNC), this field will not be populated.																
2	FLD	Meter Point Status	1	Mandatory	Meter Point Status on a 131 message is a code to identify the current connection status of a meter point. This would be set to code values of either <b>E</b> – Energised or <b>D</b> – De-energised.																
2	FLD	Work Type	1	Mandatory	<p>This is a code indicating the work type:</p> <table border="1"> <thead> <tr> <th>Work Type</th> <th>Description</th> </tr> </thead> <tbody> <tr> <td>W101</td> <td>De-energise-</td> </tr> <tr> <td>W102</td> <td>De-energise Unmet</td> </tr> <tr> <td>W103</td> <td>De-energise NPA</td> </tr> <tr> <td>W201</td> <td>Re-Energise</td> </tr> <tr> <td>W202</td> <td>Re-Energise – Wiring Cert Required</td> </tr> <tr> <td>W203</td> <td>Re-Energise NPA</td> </tr> <tr> <td>W204</td> <td>Re-Energise Unmet</td> </tr> </tbody> </table>	Work Type	Description	W101	De-energise-	W102	De-energise Unmet	W103	De-energise NPA	W201	Re-Energise	W202	Re-Energise – Wiring Cert Required	W203	Re-Energise NPA	W204	Re-Energise Unmet
Work Type	Description																				
W101	De-energise-																				
W102	De-energise Unmet																				
W103	De-energise NPA																				
W201	Re-Energise																				
W202	Re-Energise – Wiring Cert Required																				
W203	Re-Energise NPA																				
W204	Re-Energise Unmet																				



Retail Market Message Guide – Meter Works

Segment and Field Level Identifier - 131 Message			Rpt	Optionality	Description / Purpose and composition instructions	
					W205	Re-energise with MCC Change
					W206	Re-energise with MCC Change Wiring Cert
					W207	Re-energise NPA with MCC Change
					W301	MCC change-Exch from D/T to S/T
					W302	MCC change-Exch from F.R. to MD
					W303	MCC change-Exch from ST to D/T
					W304	MCC change-Install NSH MT & T/S
					W305	MCC change-Remove NSH MT & T/S
					W306	MCC change-Other MCC Change
					W307	Install Token Meter
					W308	Reset Token Meter
					W309	Token Meter Fault/Ex
					W310	Remove Token Meter
					W311	Other Meter Work-Inst Signals Ext MFM
					W312	Other Meter Work-Exch MD for MD+Sgnls
					W321	Smart MCC Change
					W401	Revenue Protection-Reseal MT/T/S Local

Retail Market Message Guide – Meter Works

Segment and Field Level Identifier - 131 Message			Rpt	Optionality	Description / Purpose and composition instructions																
					<table border="1"> <tr> <td>W402</td> <td>RP Inspection Visit</td> </tr> <tr> <td>W403</td> <td>RP Special Test Exch</td> </tr> <tr> <td>W404</td> <td>Revenue Protection-Special test in-situ</td> </tr> <tr> <td>W405</td> <td>Revenue Protection-WC CK/Repl/Reset T/S</td> </tr> <tr> <td>W406</td> <td>Revenue Protection-MM CK/Repl/Reset T/S</td> </tr> <tr> <td>W407</td> <td>Revenue Protection-Meter/ T/S Damage</td> </tr> </table>	W402	RP Inspection Visit	W403	RP Special Test Exch	W404	Revenue Protection-Special test in-situ	W405	Revenue Protection-WC CK/Repl/Reset T/S	W406	Revenue Protection-MM CK/Repl/Reset T/S	W407	Revenue Protection-Meter/ T/S Damage				
W402	RP Inspection Visit																				
W403	RP Special Test Exch																				
W404	Revenue Protection-Special test in-situ																				
W405	Revenue Protection-WC CK/Repl/Reset T/S																				
W406	Revenue Protection-MM CK/Repl/Reset T/S																				
W407	Revenue Protection-Meter/ T/S Damage																				
2	FLD	Outcome Reason	1	Optional	<p>This is a code indicating the outcome reason of the original request:</p> <p>Please note that this field is not populated where the Order Status is 'WCCH' or 'WCNC'</p> <table border="1"> <thead> <tr> <th>Outcome Reason</th> <th>Description</th> </tr> </thead> <tbody> <tr> <td>DN03</td> <td>Not D/E - Sickness/Bereavement</td> </tr> <tr> <td>DN04</td> <td>Not D/E - No Adult Present</td> </tr> <tr> <td>DN05</td> <td>Not D/E - Refused Access</td> </tr> <tr> <td>DN06</td> <td>Not D/E - Cust/Supp Arr/Paid</td> </tr> <tr> <td>DN07</td> <td>COLE done by Supplier</td> </tr> <tr> <td>DN08</td> <td>Not D/E - o/s/costs involved</td> </tr> <tr> <td>DN09</td> <td>Supplier Phone Unanswered</td> </tr> </tbody> </table>	Outcome Reason	Description	DN03	Not D/E - Sickness/Bereavement	DN04	Not D/E - No Adult Present	DN05	Not D/E - Refused Access	DN06	Not D/E - Cust/Supp Arr/Paid	DN07	COLE done by Supplier	DN08	Not D/E - o/s/costs involved	DN09	Supplier Phone Unanswered
Outcome Reason	Description																				
DN03	Not D/E - Sickness/Bereavement																				
DN04	Not D/E - No Adult Present																				
DN05	Not D/E - Refused Access																				
DN06	Not D/E - Cust/Supp Arr/Paid																				
DN07	COLE done by Supplier																				
DN08	Not D/E - o/s/costs involved																				
DN09	Supplier Phone Unanswered																				

Retail Market Message Guide – Meter Works

Segment and Field Level Identifier - 131 Message			Rpt	Optionality	Description / Purpose and composition instructions	
					DN10	Staff Safety Problem
					R001	No Access
					R002	Snag Customer Fault
					R003	Snag ESBs Fault
					R004	Temporary Repair
					R005	Partial Complete Customers Fault
					R006	Partial Complete ESBs Fault
					R007	Missed Appointment Customers Fault
					R008	Missed Appointment ESBs Fault
					R009	Unreached
					R010	Cert required
					DS03	Not D/E - Bereavement
					DS04	COLE done by Supplier

Retail Market Message Guide – Meter Works

Segment and Field Level Identifier - 131 Message			Rpt	Optionality	Description / Purpose and composition instructions	
					DS05	Not D/E - o/s/costs involved
					DS06	Supplier Phone Unanswered
					DS07	Could not locate premise
					DS08	Safety Problem
					DS09	Missed Appointment Customers Fault
					RE02	Not Re-energised due to No Access
					RE03	Not Re-energised due to Missed appointment / Customers fault
					RE04	Not re-energised – safety problem
					C001	Completed as requested
					C002	Could not locate premise
					C003	No access/ missed appt cust fault

Retail Market Message Guide – Meter Works

Segment and Field Level Identifier - 131 Message			Rpt	Optionality	Description / Purpose and composition instructions										
					<table border="1"> <tr> <td>C004</td> <td>Incorrect call type requested</td> </tr> <tr> <td>C005</td> <td>Location not suitable</td> </tr> <tr> <td>C006</td> <td>cust did not allow job to proceed</td> </tr> <tr> <td>C007</td> <td>Staff Safety Problem</td> </tr> </table>	C004	Incorrect call type requested	C005	Location not suitable	C006	cust did not allow job to proceed	C007	Staff Safety Problem		
C004	Incorrect call type requested														
C005	Location not suitable														
C006	cust did not allow job to proceed														
C007	Staff Safety Problem														
2	FLD	Order Status	1	Optional	<p>This is the code indicating the status of the order:</p> <table border="1"> <thead> <tr> <th>Order Status</th> <th>Description</th> </tr> </thead> <tbody> <tr> <td>FINI</td> <td>Finished</td> </tr> <tr> <td>RESC</td> <td>Rescheduled</td> </tr> <tr> <td>WCCH</td> <td>Cancelled with charge</td> </tr> <tr> <td>WCNC</td> <td>Cancelled with no charge</td> </tr> </tbody> </table>	Order Status	Description	FINI	Finished	RESC	Rescheduled	WCCH	Cancelled with charge	WCNC	Cancelled with no charge
Order Status	Description														
FINI	Finished														
RESC	Rescheduled														
WCCH	Cancelled with charge														
WCNC	Cancelled with no charge														
2	FLD	Observation Text	1	Optional	<p>Observation Text provides a description of an observation and may be used to convey comments regarding a problem.</p> <p>In this message, this field will contain free text where this is provided by the NT in completing the service order. This corresponds to 'crew remarks' on AREAS or the text provided on the current e-mail e.g.the name and contact details of e.g. New Tenant, Auctioneer etc. The text will not appear for revenue protection orders</p>										

**APPENDIX 1**

The tables below outline the valid combinations of Read Reason, Read Type and Read Status that can be found on messages 306, 307 and 332.

**1.32 APPENDIX 1A – MESSAGE 306 COMBINATIONS**

Scenarios	Read Reason	Read Type	Read Status	Comments
Non Interval De-energisation with no meter removal	13 - De-energisation	A - Actual	RV	
		A - Actual	RREL	
		EF - Estimate (Implausible)	REST	
		E - Estimate (No Access)	REST	Where a final billing must take place
		E - Estimate (No Access)	RENS	Where no final billing is required (i.e. a de-energise for reasons of NPA)

Retail Market Message Guide – Meter Works

**1.33 APPENDIX 1B – MESSAGE 307 COMBINATIONS**

Scenarios	Read Reason	Read Type	Read Status	Comments
Non Interval Re-energisation with no meter installation	18 - energisation	A - Actual	RV	
		A - Actual	RREL	

**1.35 APPENDIX 1C – MESSAGE 332 COMBINATIONS**

Scenarios	Read Reason	Read Type	Read Status	Comments
Meter Removal concurrent with de-energisation	22 - Closing read for register removed	A - Actual	RV	
		A - Actual	RREL	
		EF - Estimate (Implausible)	REST	
Meter install concurrent with energisation	18 - Energisation	A - Actual	RV	

**Retail Market Message Guide – Meter Works**

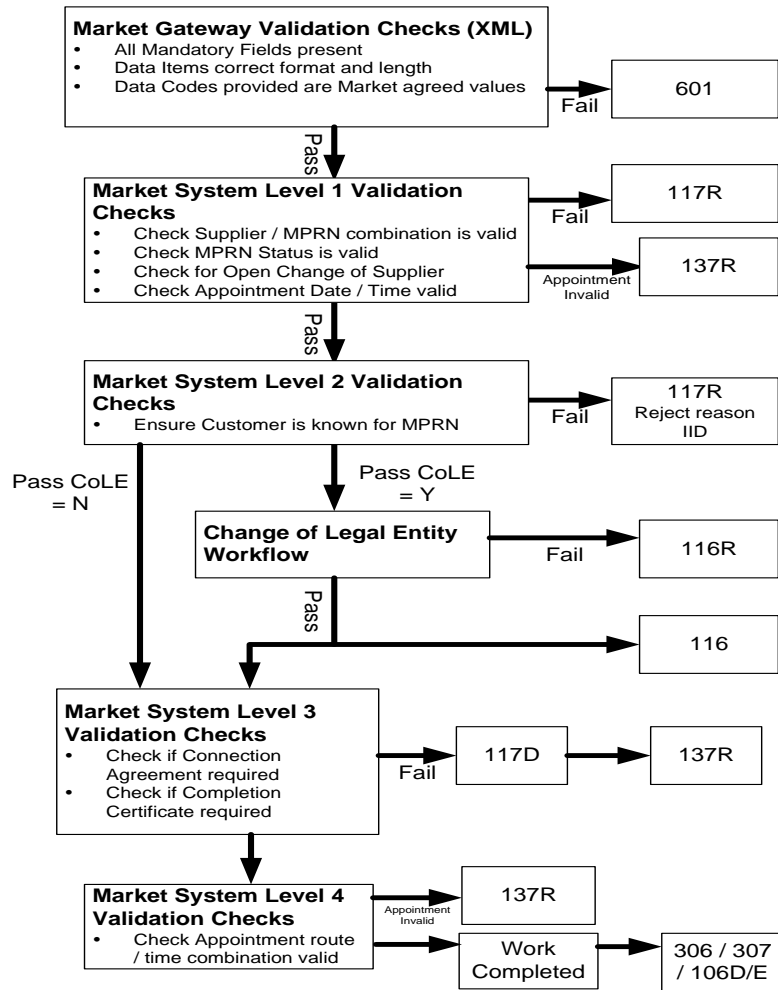
Scenarios	Read Reason	Read Type	Read Status	Comments
		A - Actual	RREL	
Meter Changes	21 - Start read for new register	A - Actual		
	22 - closing read for register removed	A - Actual	RV	
		A - Actual	RREL	
		EF - Estimate (Implausible)	REST	
	16 - Closing read before meter re-programme	A - Actual	RV	
		A - Actual	RREL	
		EF - Estimate (Implausible)	REST	
	11 - Opening read after meter re-programme	A - Actual		
Remaining meters at a meter point where other meters have been installed/exchange/removed	09 – Special Read (Non-chargeable)	A – Actual	RV	
		A – Actual	RREL	
		EF - Estimate (Implausible)	REST	



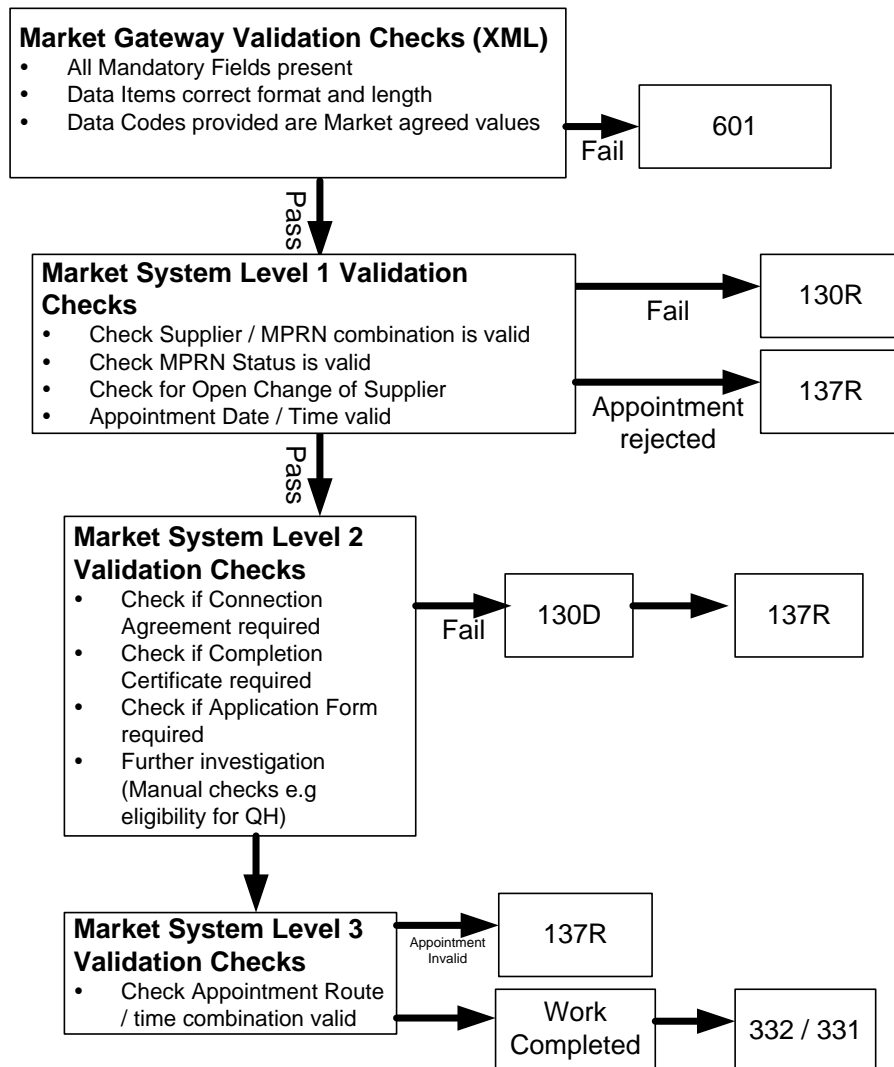


APPENDIX 2

1.35 APPENDIX 2A – METER POINT STATUS CHANGE VALIDATION SEQUENCE DIAGRAM



1.36 APPENDIX 2B – METER WORKS REQUEST VALIDATION SEQUENCE DIAGRAM



**APPENDIX 3**

**1.37 APPENDIX 3A – MESSAGE 131 – FIELDWORK STATUS CODE**

<b>X</b>	<b>Work is Cancelled</b>	<b>Supplier Withdrawal Duplicate</b>
<b>C1</b>	<b>Work Complete, Call Complete</b>	<b>Meter tests and revenue protection only</b>
<b>2C</b>	<b>Work Incomplete, Call Complete - Cancelled</b>	<b>Call Complete but work cancelled (either as a result of visit or subsequently)</b>
<b>R</b>	<b>Call complete – Work (To Be) rescheduled</b>	<b>A further visit is required which ESB will arrange</b>



**1.38 APPENDIX 3B – MESSAGE 131 – MESSAGE USAGE MATRIX**

	A	R	X	C1	C2
<b>017</b>	NO	YES	YES	NO	YES
<b>030</b>	NO	YES	YES	YES (M02/3/14)	YES
<b>252</b>	NO	NO	NO	NO	NO
<b>260</b>	NO	YES	YES	YES (RP Only)	YES
<b>RP/311</b>	N/A	NO	N/A	YES	YES
<b>013</b>	N/A	N/A	N/A	N/A	YES
<b>016</b>	N/A	N/A	N/A	N/A	YES

Retail Market Message Guide – Meter Works

	A	R	S	X	C1	C2
017	NO	YES	NIE	YES	NO	YES
030	NO	YES	NIE	YES	YES (M02/3/14)	YES
252	NO	NIE	NIE	NIE	NO	NIE
260	NO	ESB	NO	ESB	ESB (RP Only) NIE (RP & Check Meter Fitted Only)	ESB
RP/311	N/A	NO	N/A	N/A	ESB	ESB
013	N/A	N/A	N/A	N/A	N/A	ESB
016	N/A	N/A	N/A	N/A	N/A	ESB

